



[List All Images](#)

[Share](#)

[Tweet](#)

AIRFIX

THE PERSUADER

9A 557-F B10
USA 40 B1030

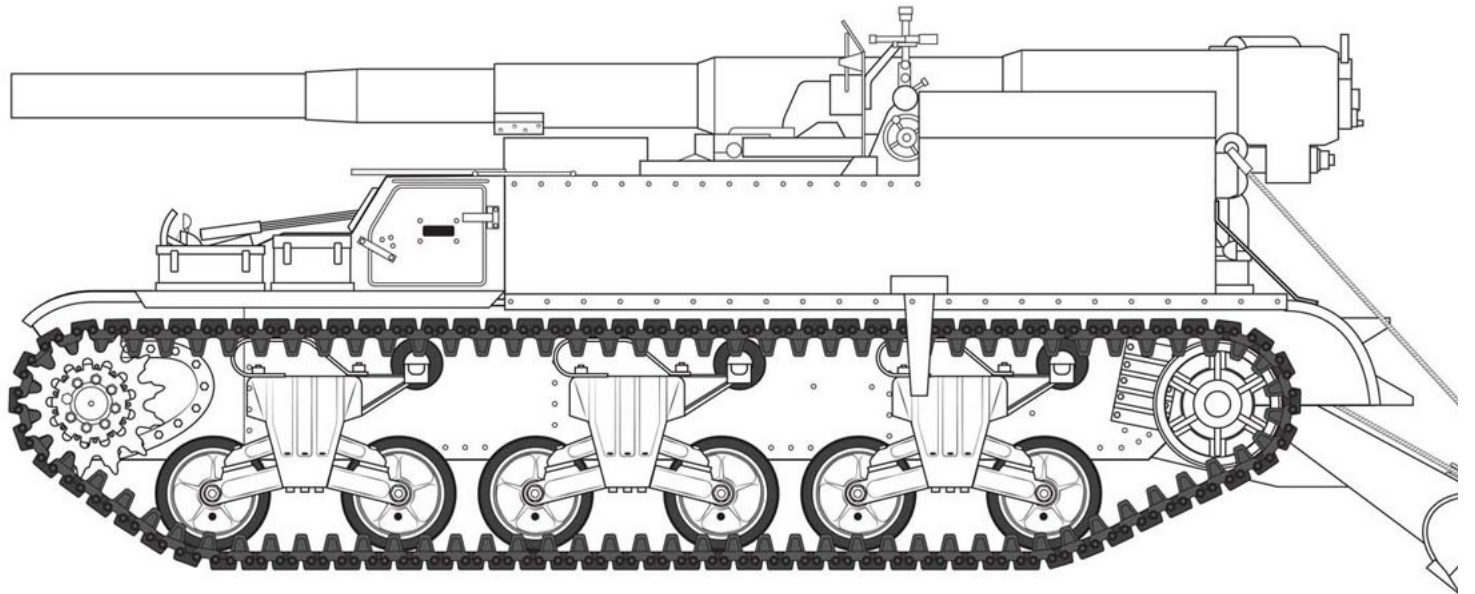
1:35 M12 GMC

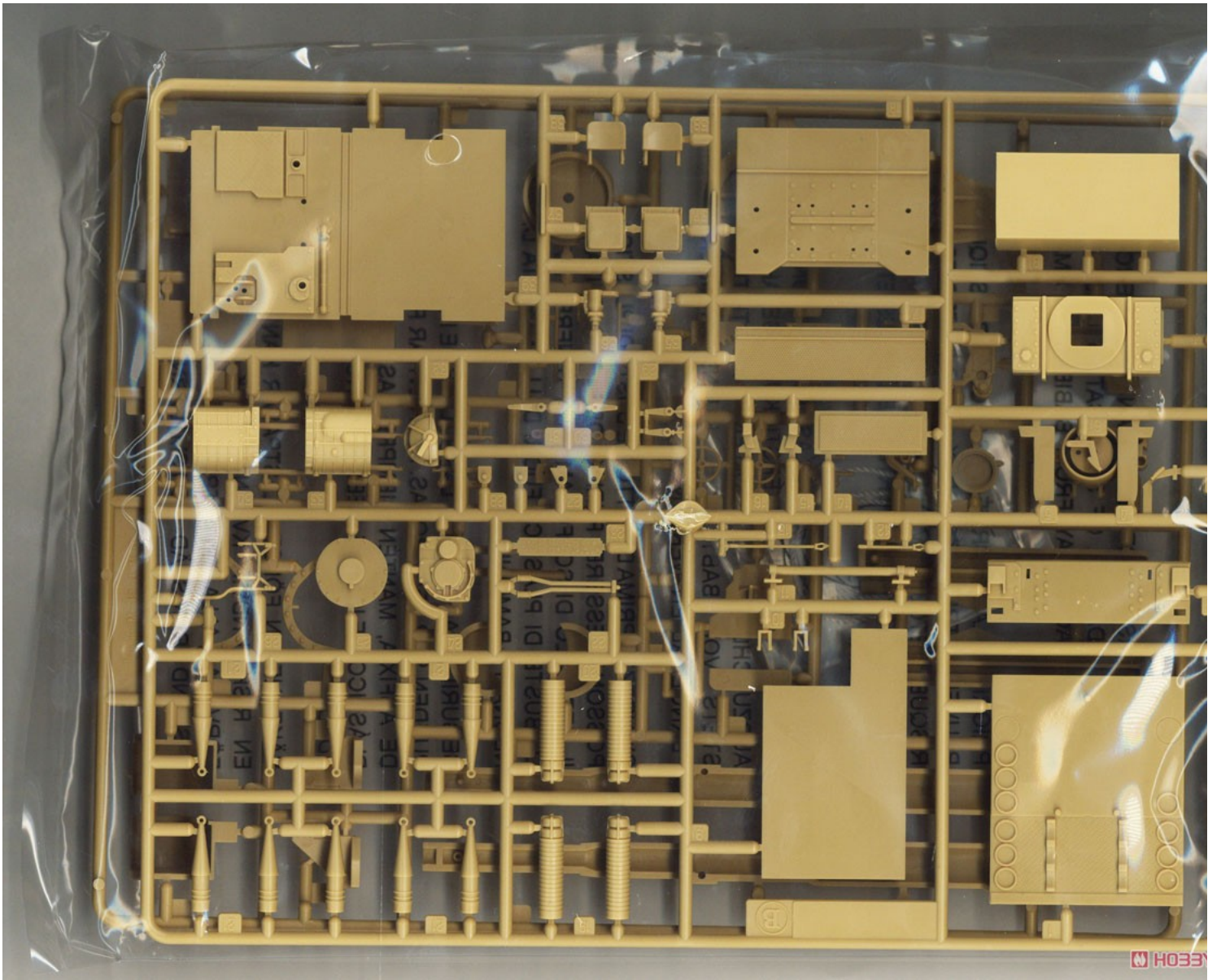
A1372 MODEL KIT • MAQUETTE A MONTER • MODELLBAUSATZ • MODELLO A SCALA • BOUWMODEL • MAQUETA PARA MONTAR • PLASTBYGGSATS • RAKENNUSARJA • MODELO PARA CONSTRUIR • MODELBYGGESÆT • **PLASTOEN**



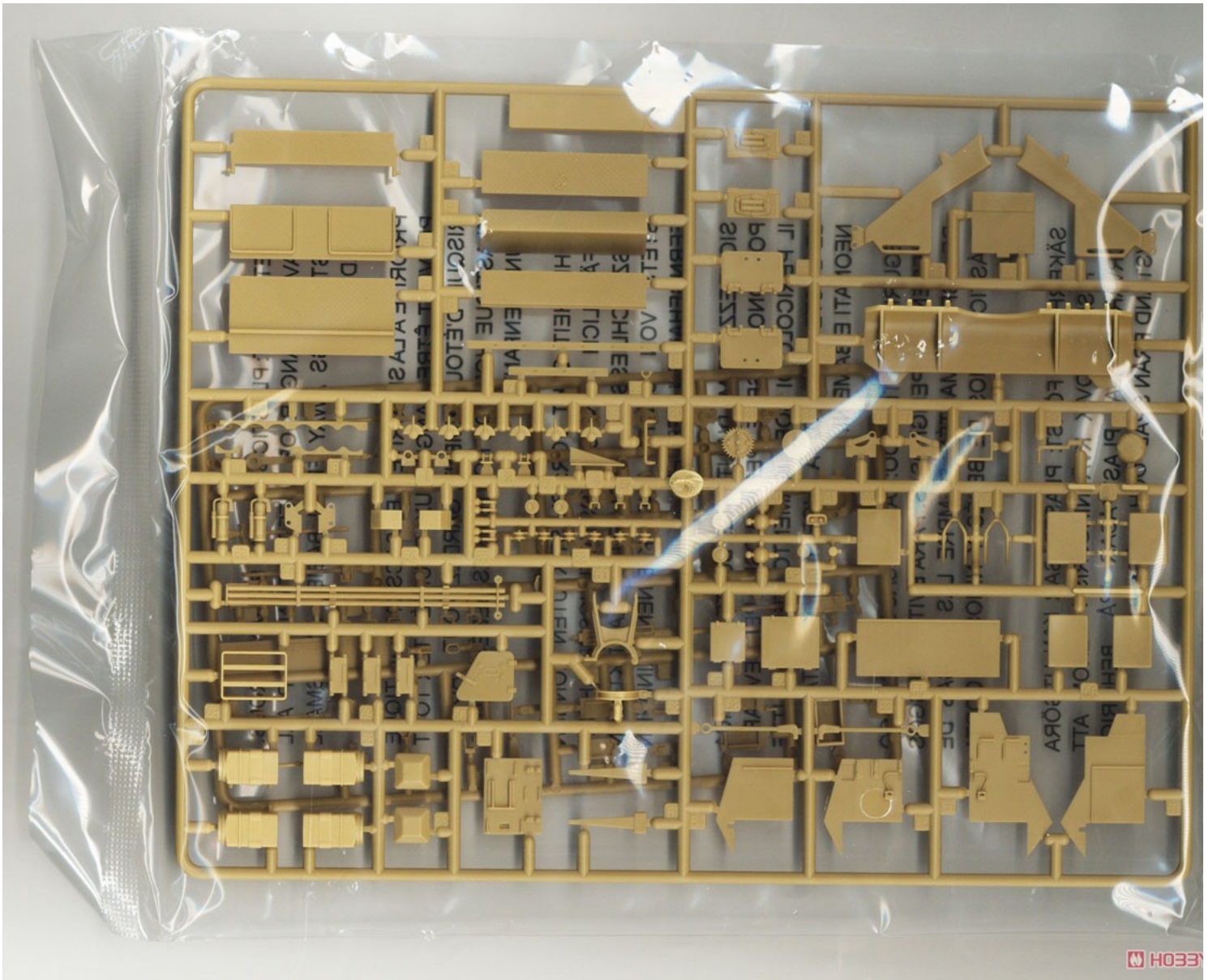


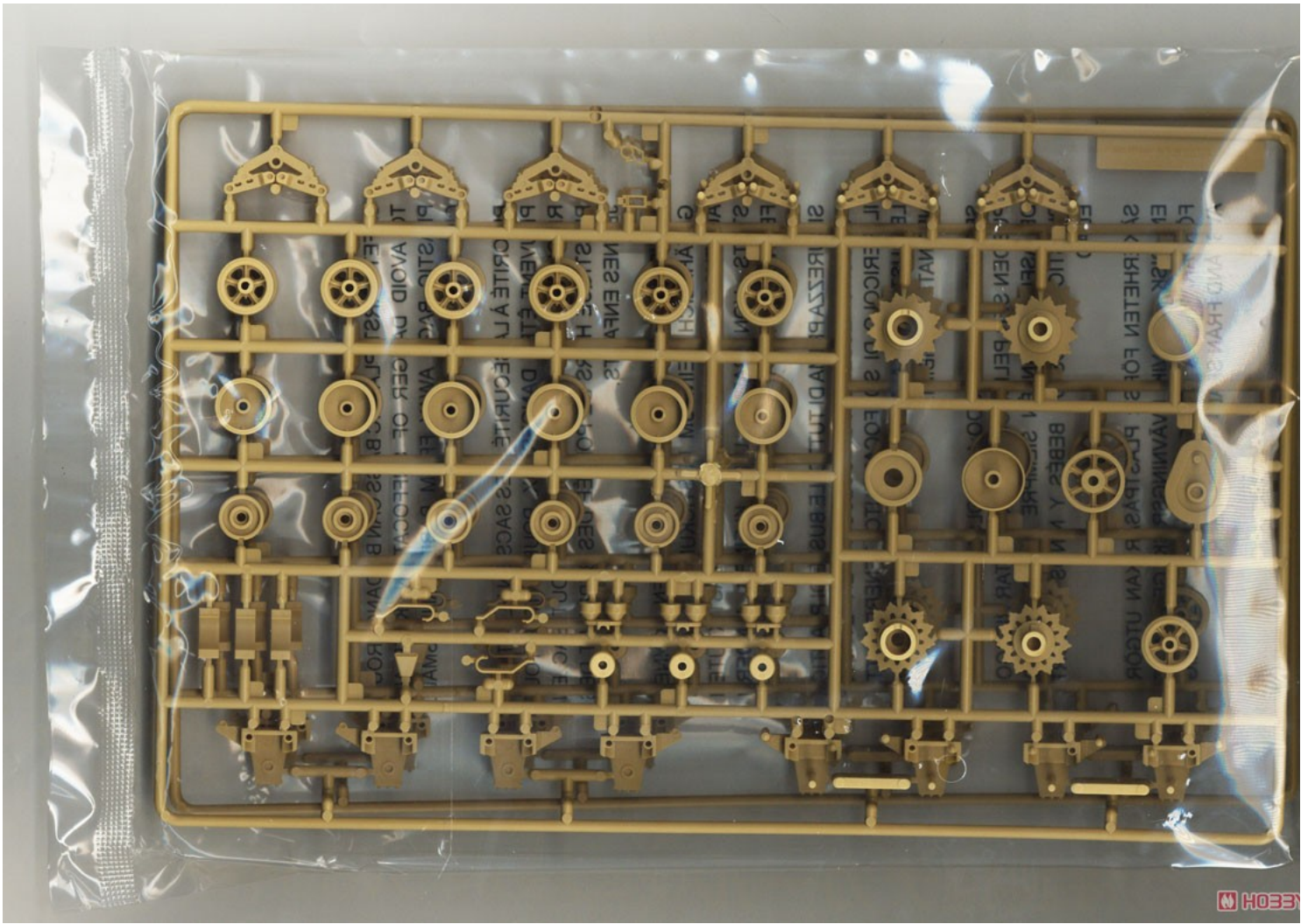


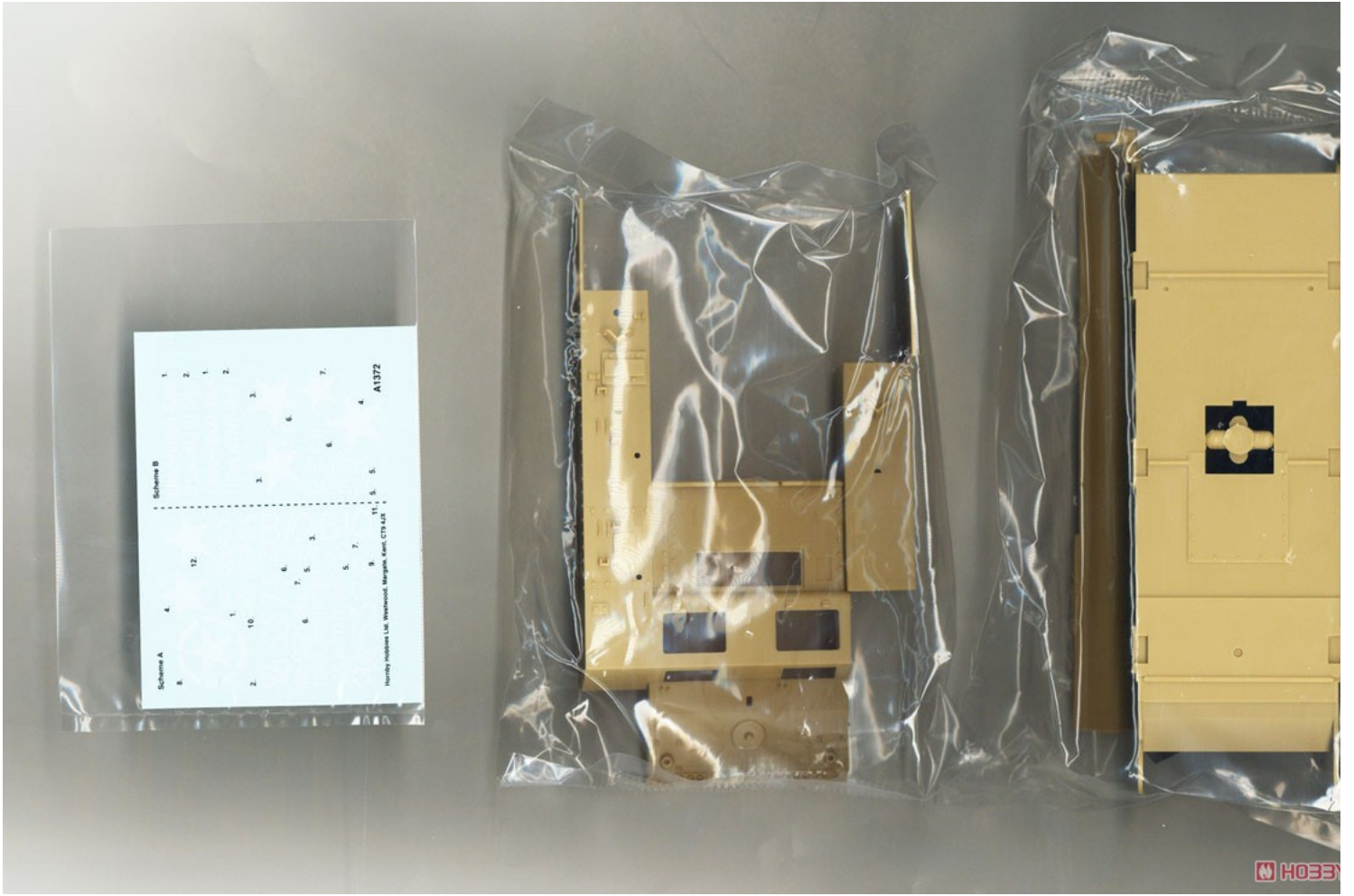




H033







Scheme A

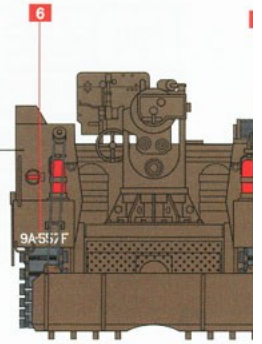
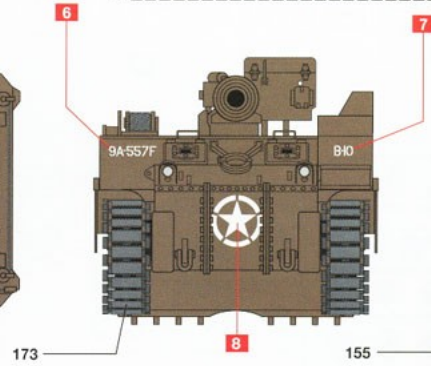
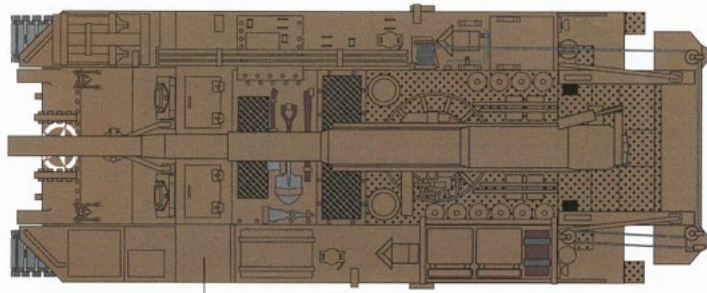
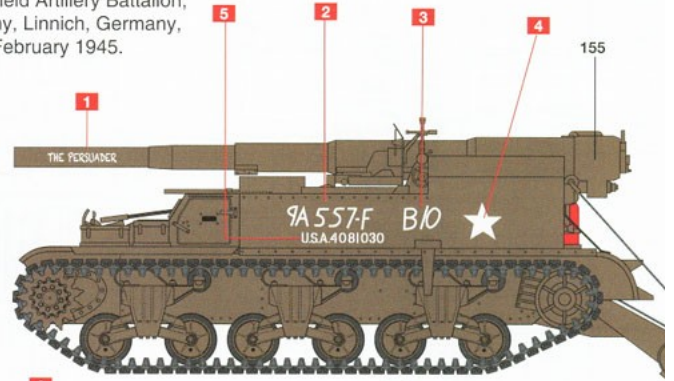
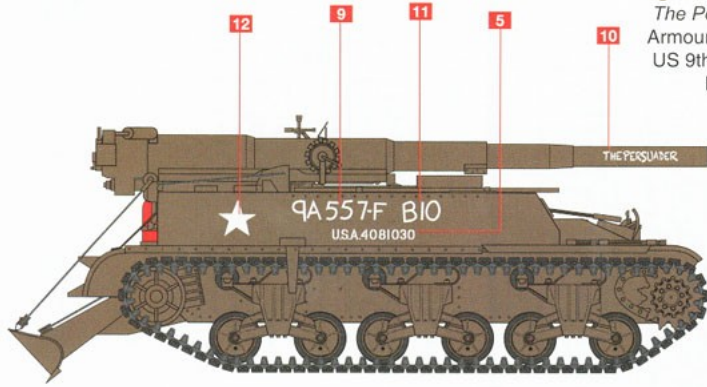
- 4
- 10
- 1
- 6
- 7
- 8
- 9
- 12

Scheme B

- 1
- 2
- 1
- 2
- 3
- 6
- 7
- 6
- 4
- 5
- 5
- 5
- 4

Hobby Hobby Ltd. Watwood, Margate, CTN 42H A1372

A Gun Motor Carriage M12
The Persuader, B Battery, 557th
 Armoured Field Artillery Battalion,
 US 9th Army, Linnich, Germany,
 late February 1945.



155

173

155

- 53

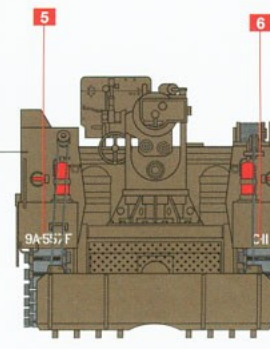
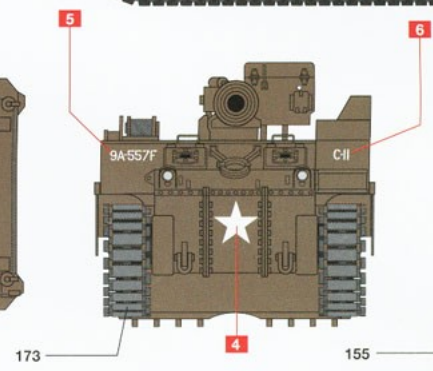
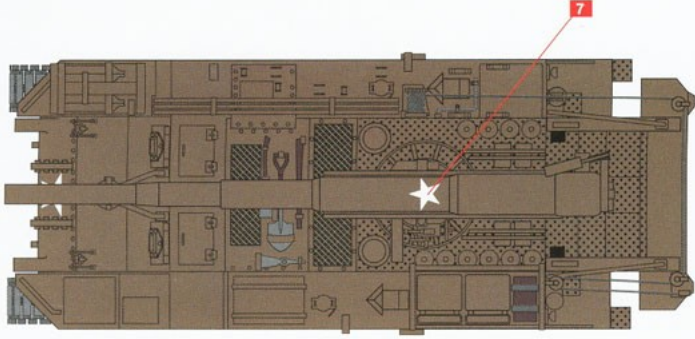
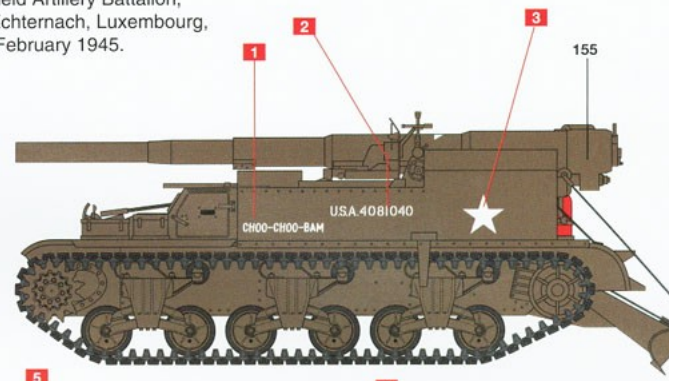
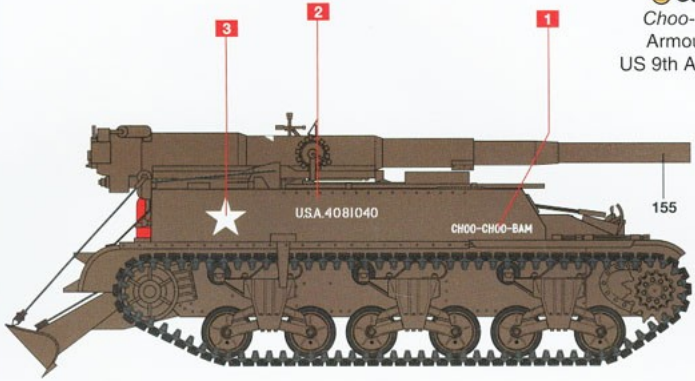
Gunmetal
- 155

Olive Drab
- 173

Track Colour

10

B Gun Motor Carriage M12
Choo-Choo-Bam, C Battery, 557th
 Armoured Field Artillery Battalion,
 US 9th Army, Echternach, Luxembourg,
 early February 1945.



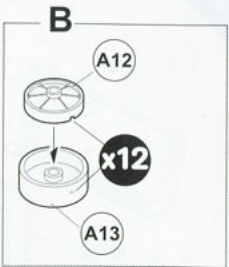
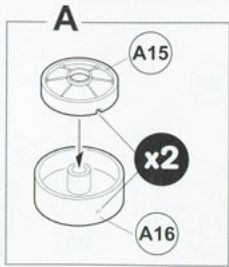
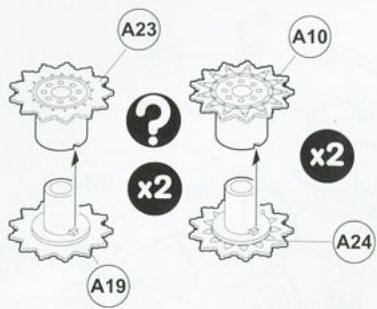
- 53

 Gunmetal
- 155

 Olive Drab
- 173

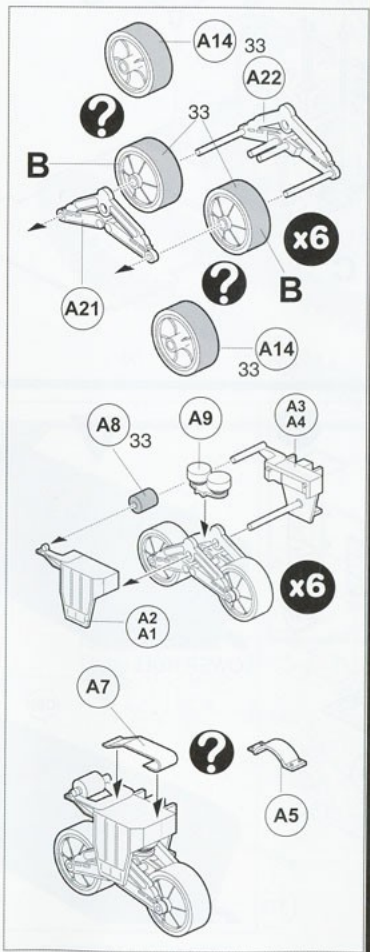
 Track Colour

1

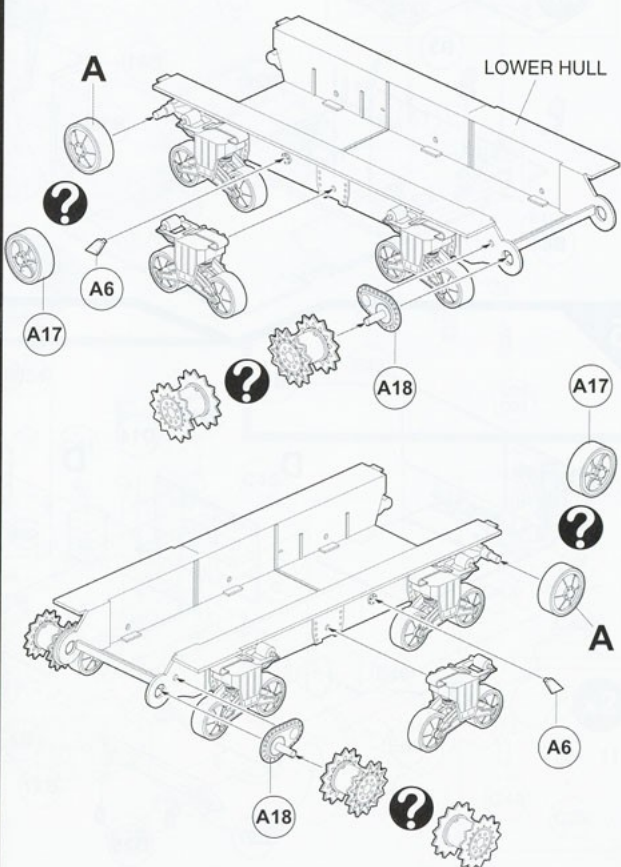


2

? ? BOTTOM NUMBER OPPOSITE SIDE

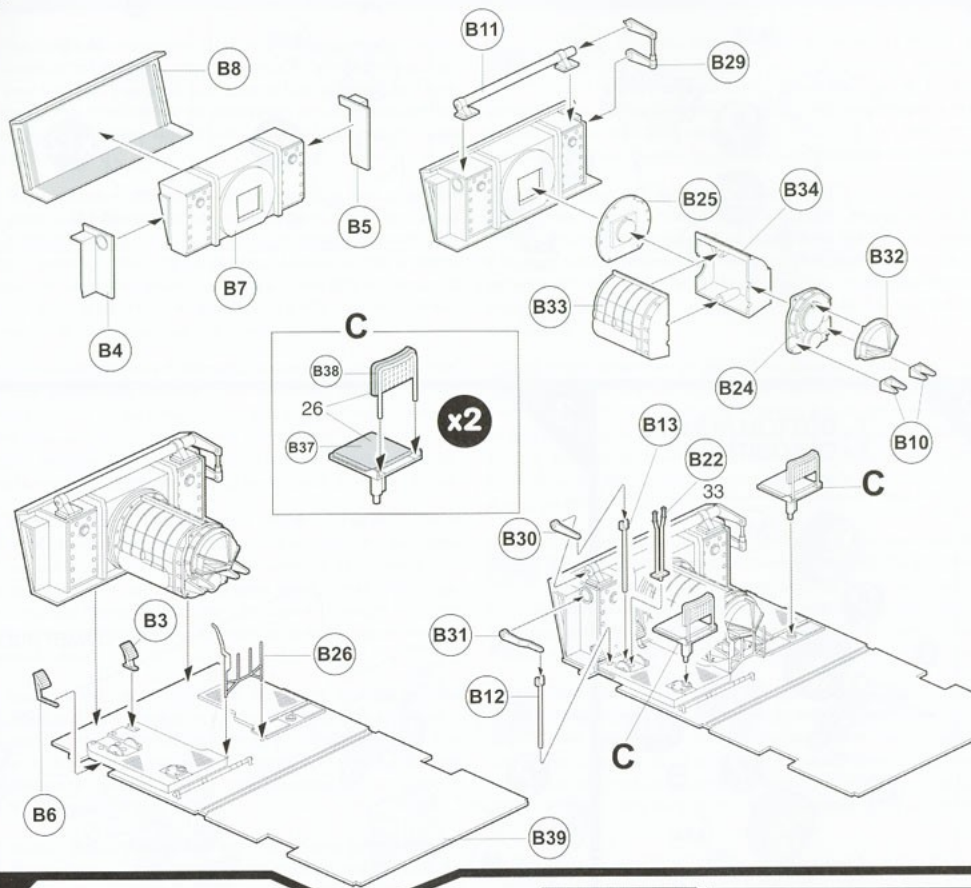


3

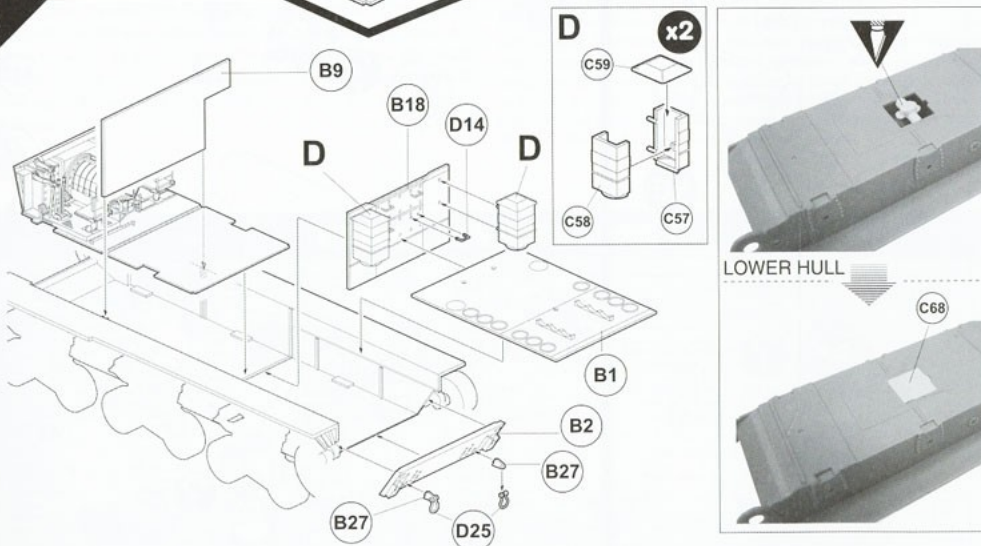


4

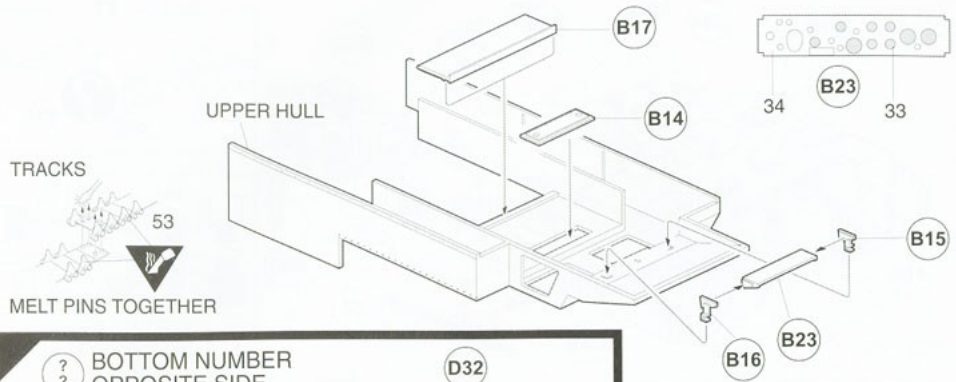
INTERIOR COLOUR 34



5

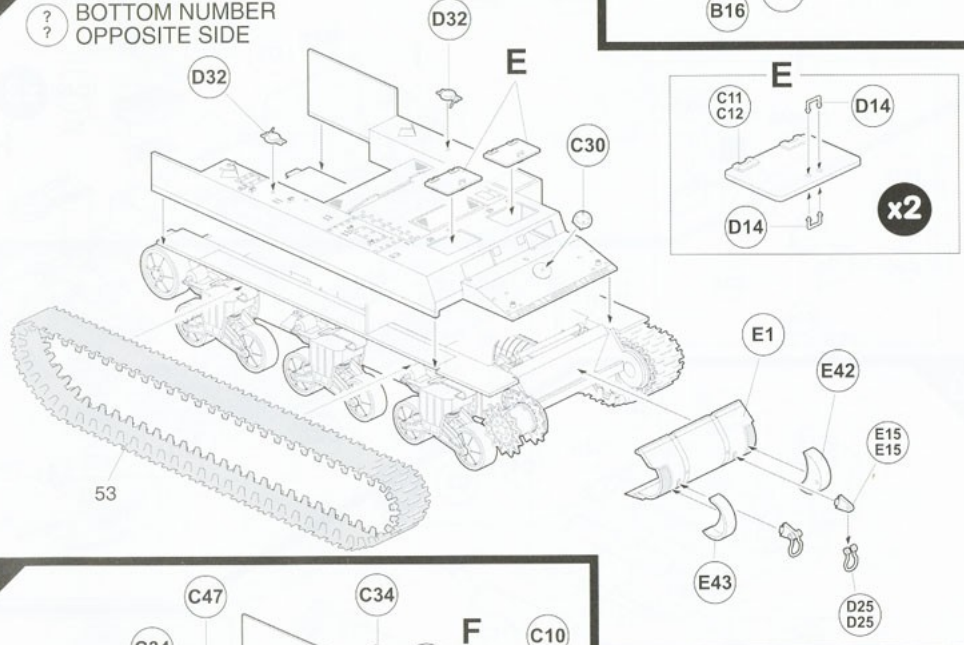


6



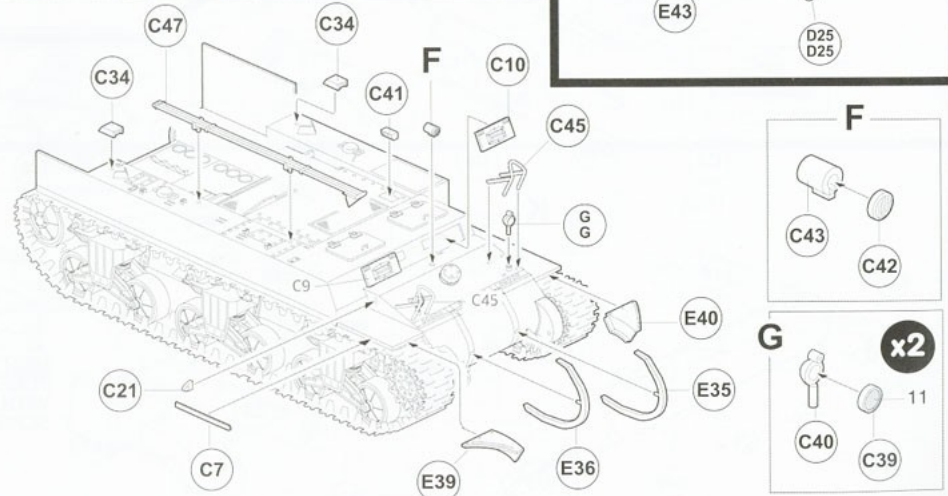
7

? ? BOTTOM NUMBER OPPOSITE SIDE

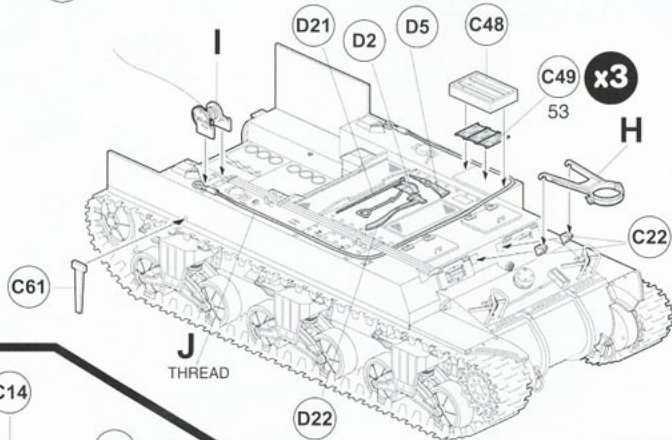
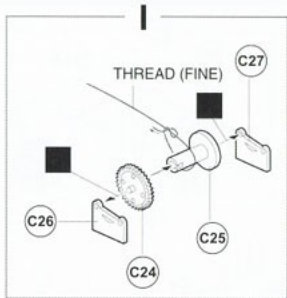
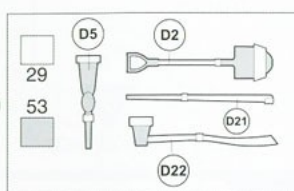
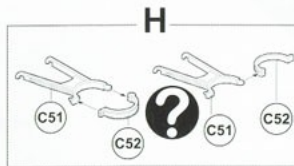
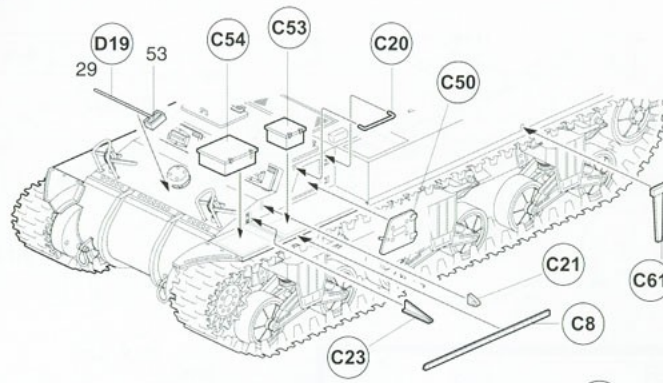


8

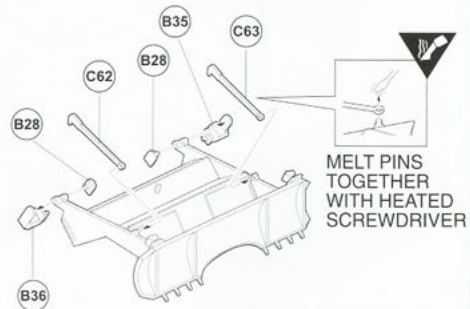
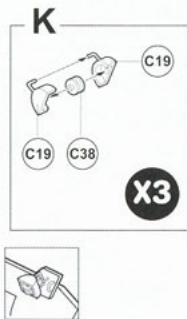
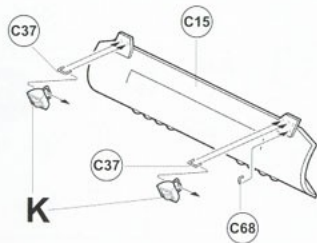
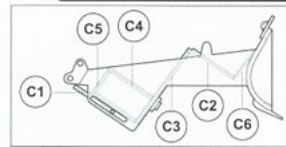
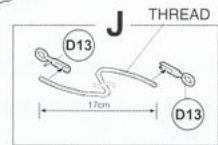
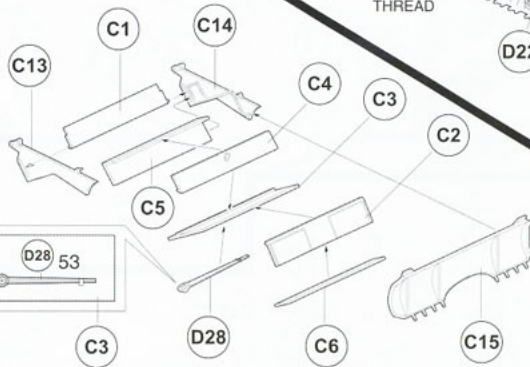
? ? BOTTOM NUMBER OPPOSITE SIDE



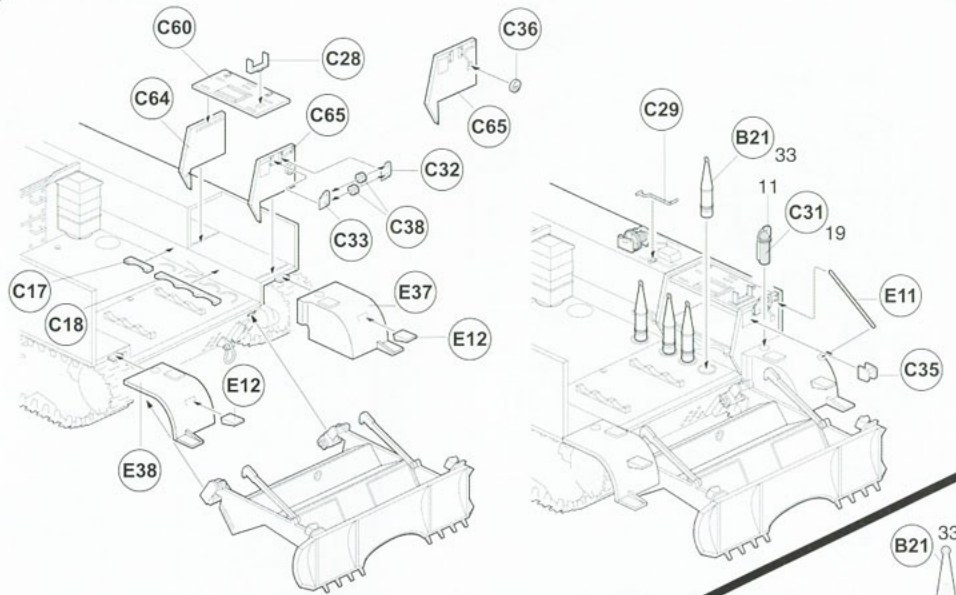
9



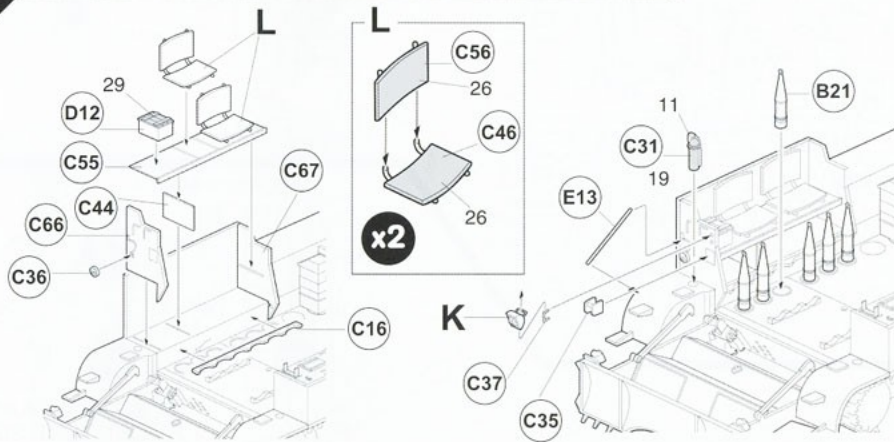
10



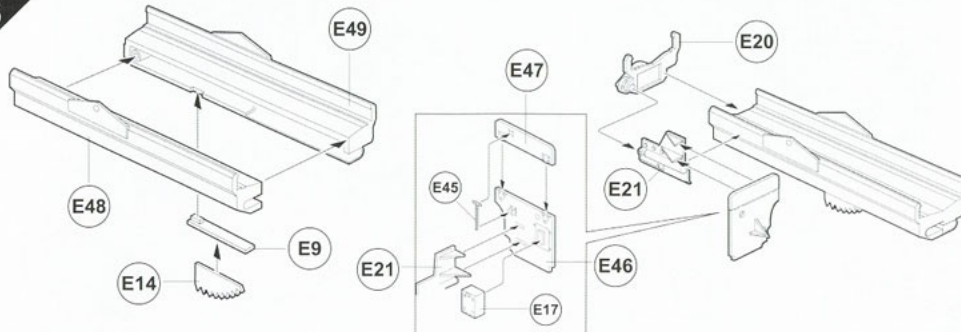
11



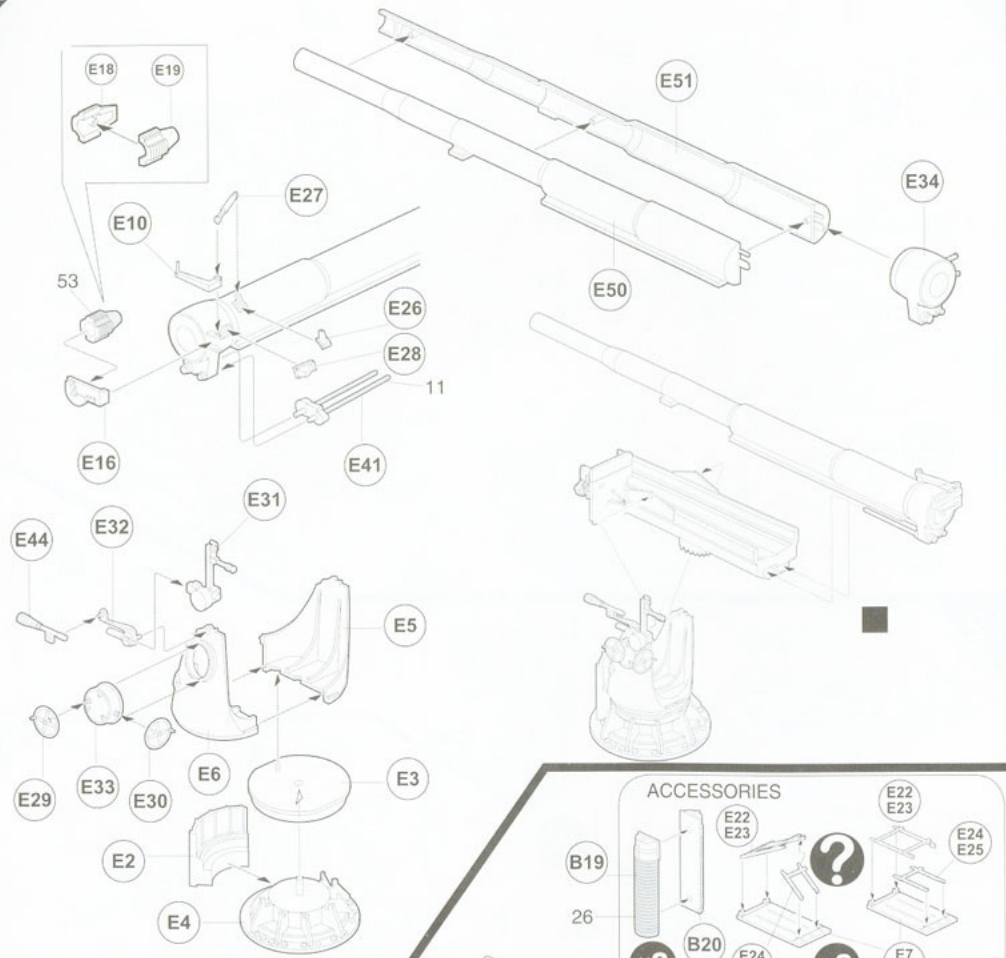
12



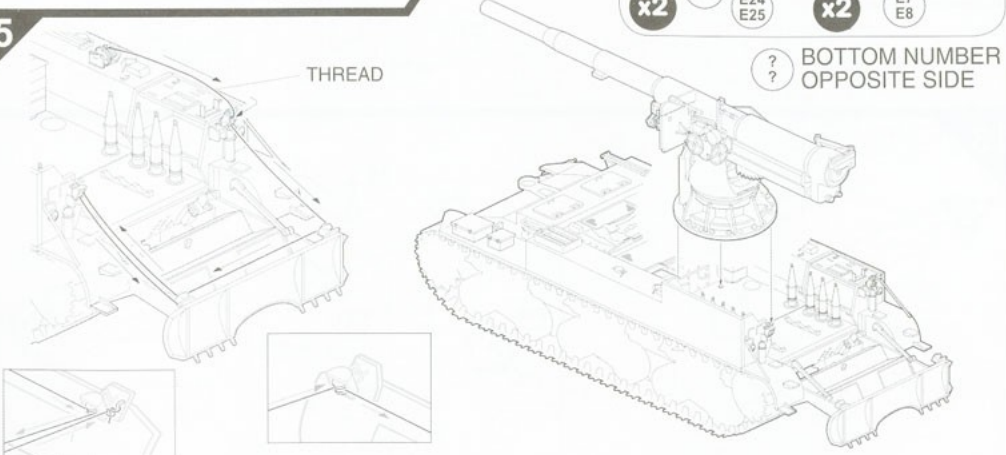
13



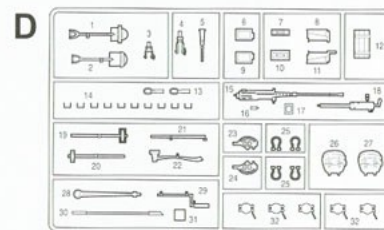
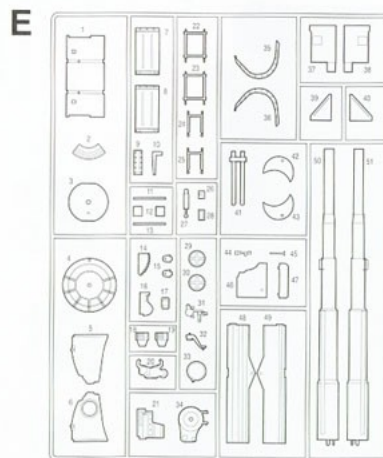
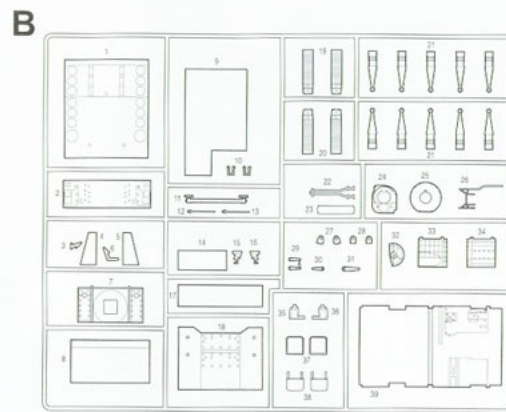
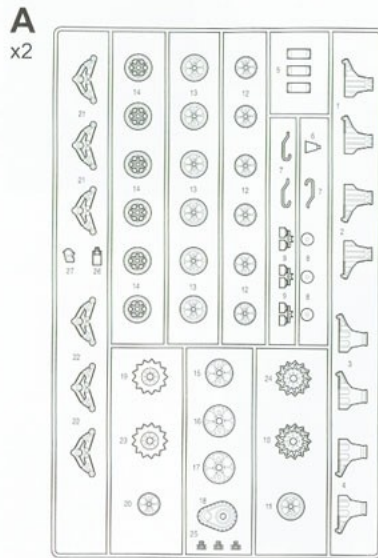
14



15

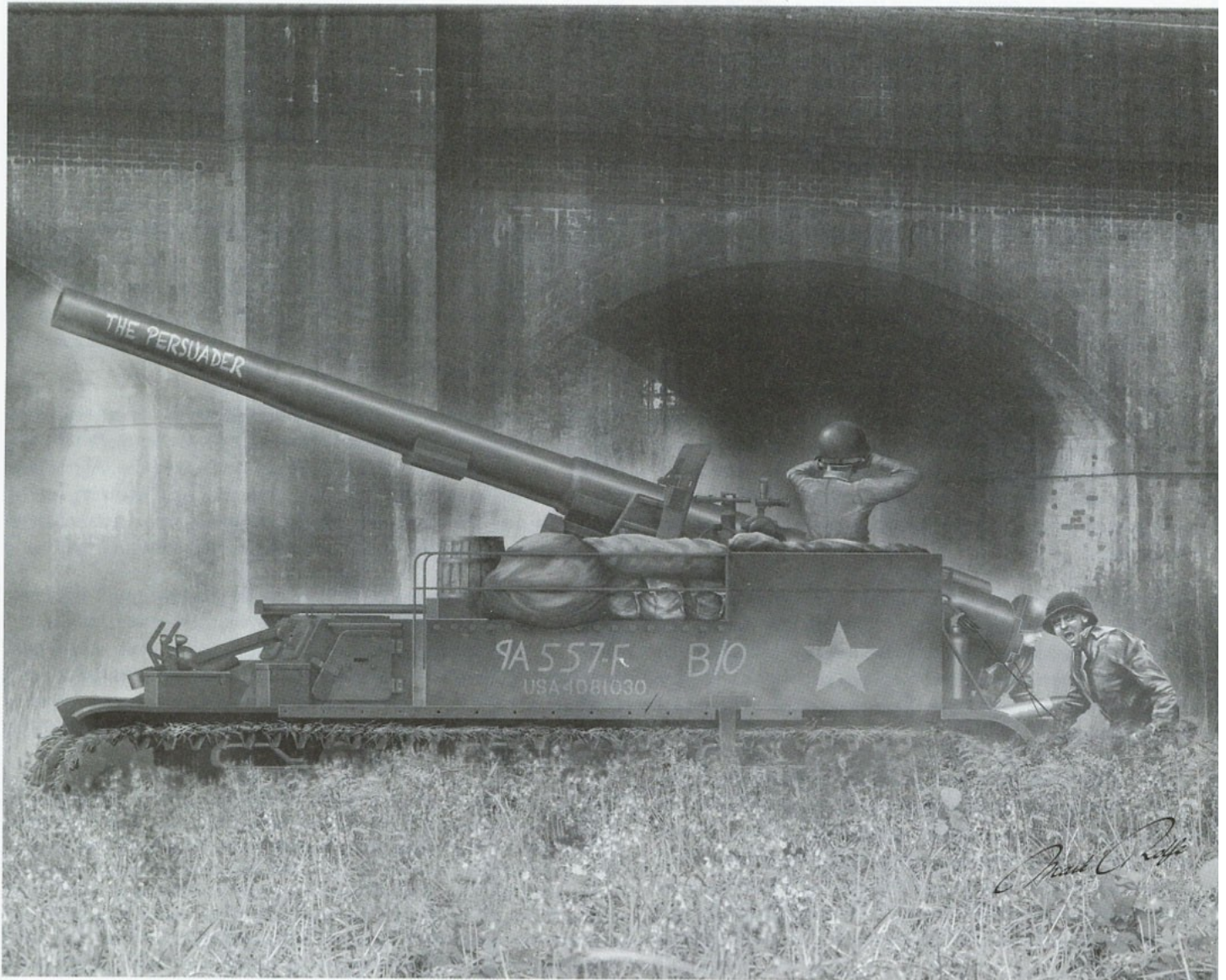


PARTS LOCATION DIAGRAM



UNUSED PARTS
 A1,A2,A3,A4X1,A11,A20X2
 D1,D3,D4,D6,D7,D8,D9,D10,D11,D14X3, D15,D16
 D17,D18,D20,D23,D24,D26,D27,D29,D30,D31,D32X3

- UPPER HULL x1
- LOWER HULL x1
- FLEXIBLE TRACK x2
- THREAD x1
- DECAL x1



Providing heavy mobile artillery support for Allied ground forces, the M12 Gun Motor Carriage was an effective US designed self-propelled artillery vehicle which saw heavy action following the D-Day landings. Featuring an open firing crew compartment, it was usual for these guns to be operated from concealed positions behind the front line, however, the M12 would go on to earn the nickname 'The Doorknocker' for its ability to blast open heavily fortified concrete bunkers during more direct actions.

Customers who checked M12 GMC (Plastic model) also checked



[M18 Hellcat GMC Tank Destroyer](#)
Airfix
1/35
5,400 yen



[Cruiser Tank Mark VIII A](#)
Airfix
1/35
4,320 yen



[M1A1 155mm Cannon Long Tom](#)
AFV Club
1/35
6,300 yen



[ZIS-2/ZIS-3 anti-aircraft gun](#)
Mini Art
1/35
3,780 yen



[USAF F-4E Phantom II Vietnam War](#)
Fine Moldings
1/72
1/72 Aircraft
3,510 yen



[M60A3 w/M9 Bulldozer](#)
Takom
1/35
6,210 yen



[S-400 Triumph S](#)
Zvezda
1/72
3,600 yen



[Supermarine Spitfire Mk.Vb](#)
Airfix
1/48
3,330 yen



[Soviet T-100 Heavy Tank](#)
Trumpeter
1/35
6,630 yen



[Supermarine Spitfire Mk.Vc](#)
Airfix
1/72
1,530 yen

Close