

SW 72138

1/72 scale



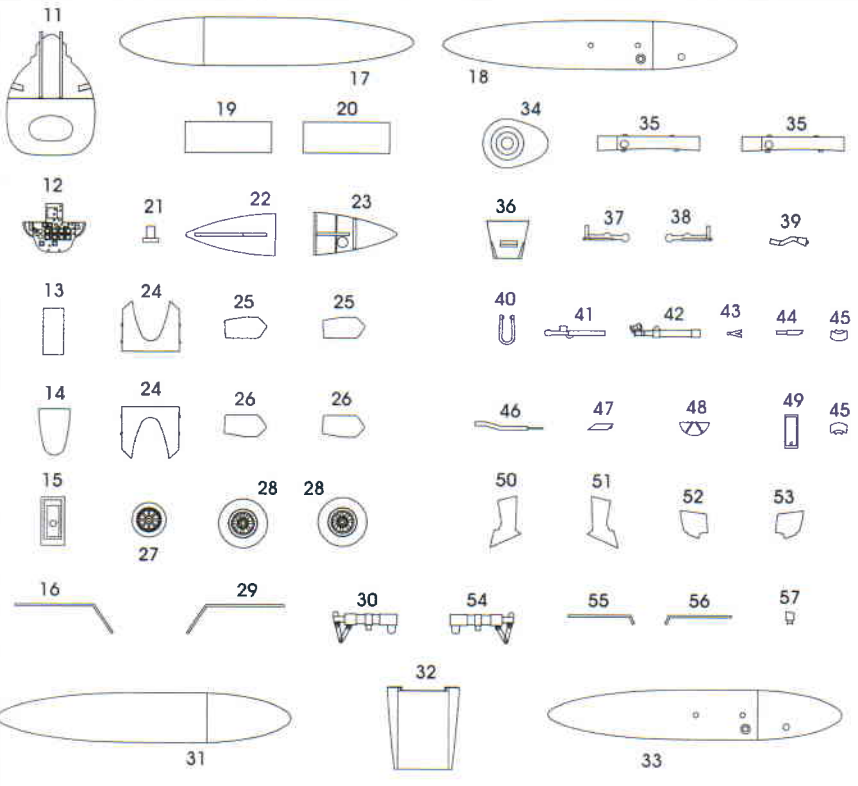
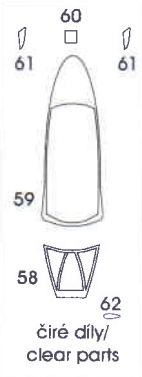
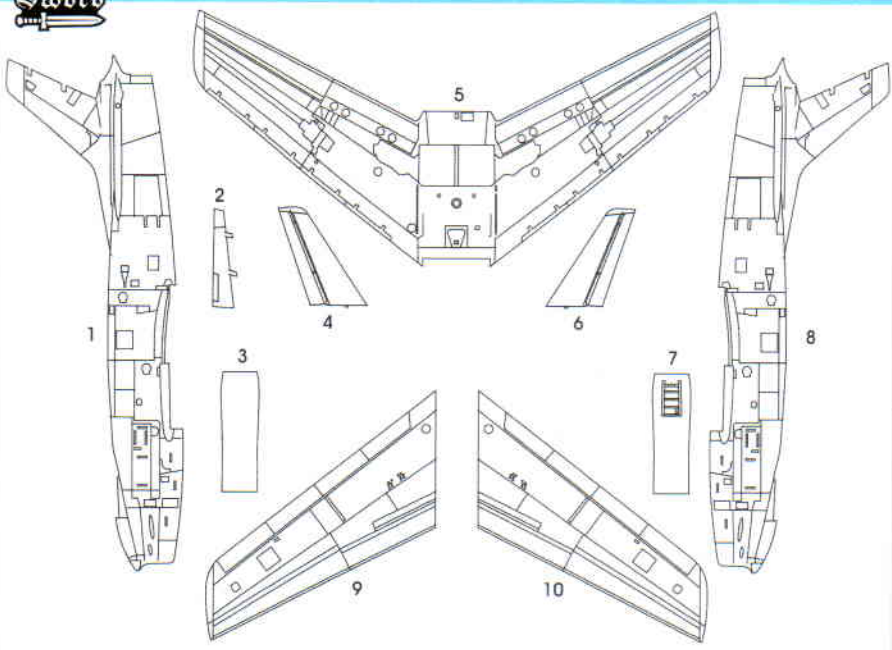
FJ-2 FURY



The North American FJ-2 and FJ-3 Fury were carrier versions of the F86 Sabre. 300 FJ-2 were ordered, reduced to 200 as an improved version,

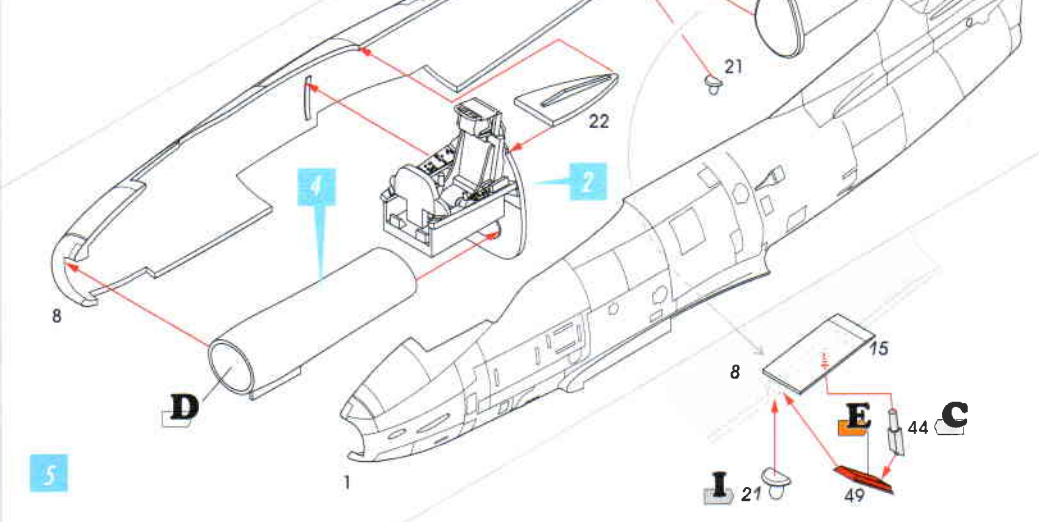
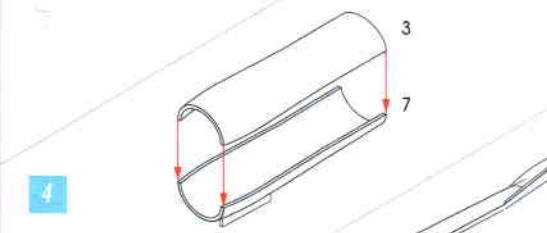
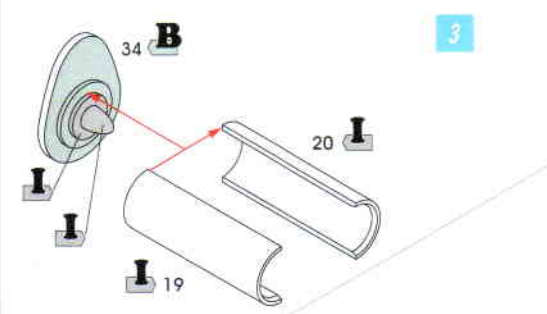
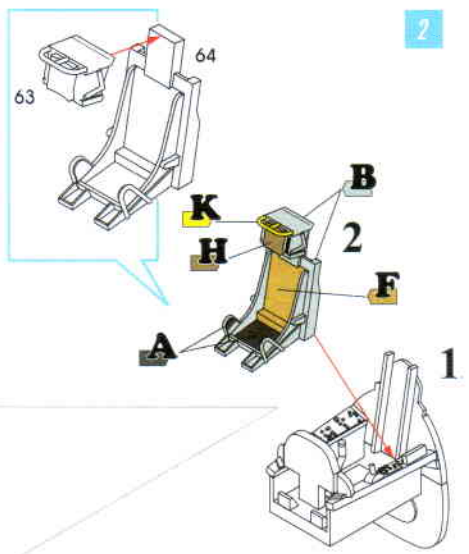
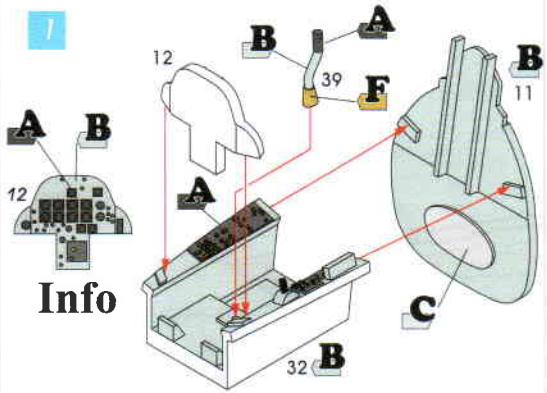
FJ-3, was already being developed. XFJ-2B, the number 3 prototype, first flew 27 December, 1951. It had 4 x 20mm cannon as opposed to the F86's 6 machine-guns, but no other adaptations. The second and third aircraft to fly had modifications for carrier ops: widened main gear track, outer wing panels that folded upwards, an extended nose gear strut, arrestor-hook, tail skid, attachments for catapult launch, and an altered windscreen to give the pilot an improved view for approach and landing. The FJ-2 also had an all-moving tail-plane without dihedral. The powerplant was a marine version (J47-GE-2) of the F86F's J47-GE-27. The Navy preferred the lighter F9F Cougar, and ongoing breakages and handling problems made the FJ-2 unsuitable for carrier operations. The 200 FJ-2 went to the United States Marine Corps. They attempted to resolve handling problems but the FJ-2 was never really satisfactory.

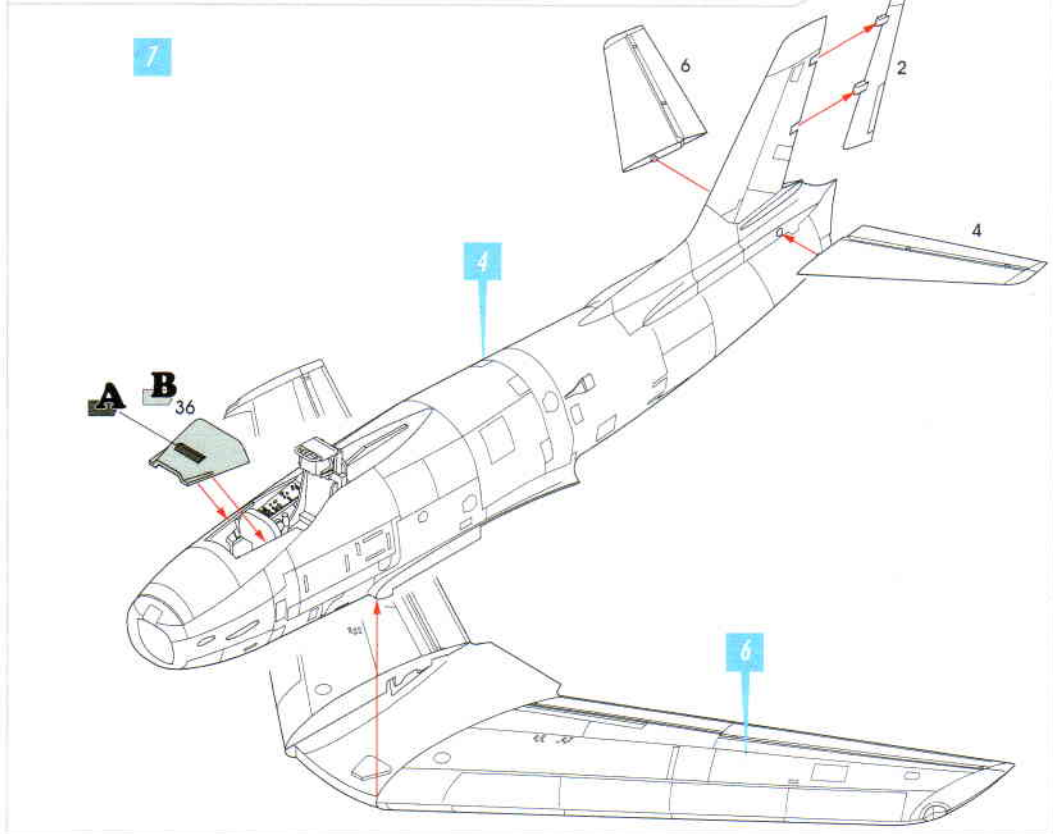
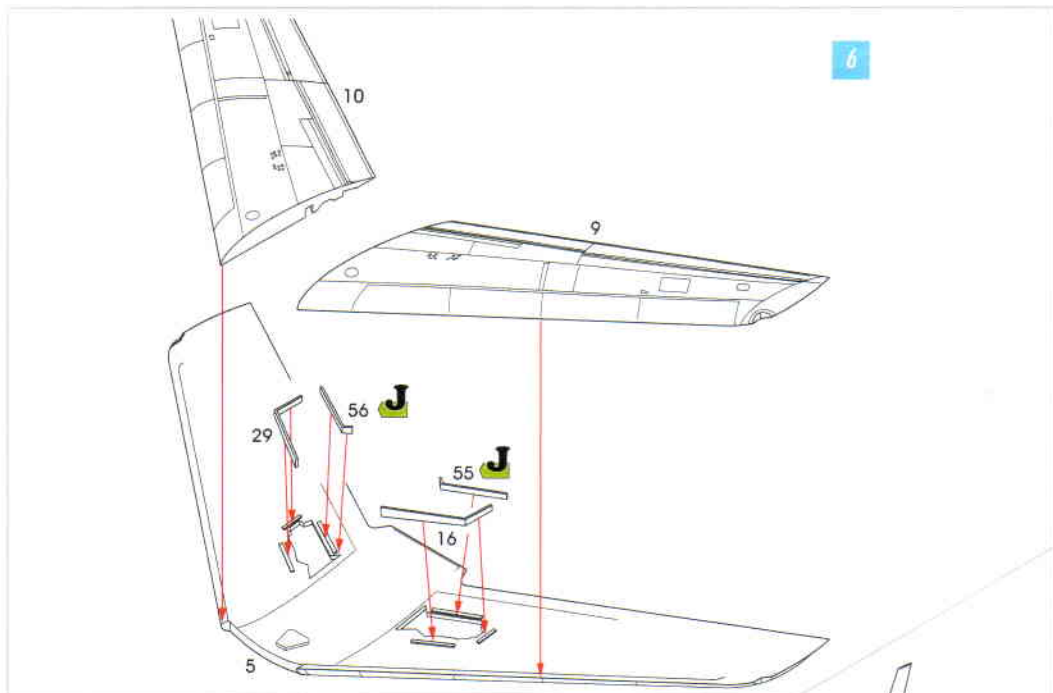
The aircraft was further upgraded very early on with a Wright J65 powerplant, becoming the FJ-3. That aircraft first flew 3 July 1953. The only visible difference between the FJ-2 and the FJ-3 was the depth of the intake on the FJ-3. In 1955, wings from the F86F were fitted. This enhanced handling, but increased the landing speed. The Fury had camber added to the underside of the wing to improve low speed handling. Later aircraft had 4 underwing stations for external loads; 1000lb on the inboard, 500lb on the outboard. Deliveries were from Sept 1954, and the FJ-3 joined the fleet in 1955. 538 FJ-3s built. 194 were modified (FJ-3M) to carry sidewinder missiles, some later to control Regulus missiles (KDU-1), and some to control 6K cougar target drones. In 1956, aircraft were retro-fitted with probe and drogue refuelling equipment, the long probe fitted under the port wing.

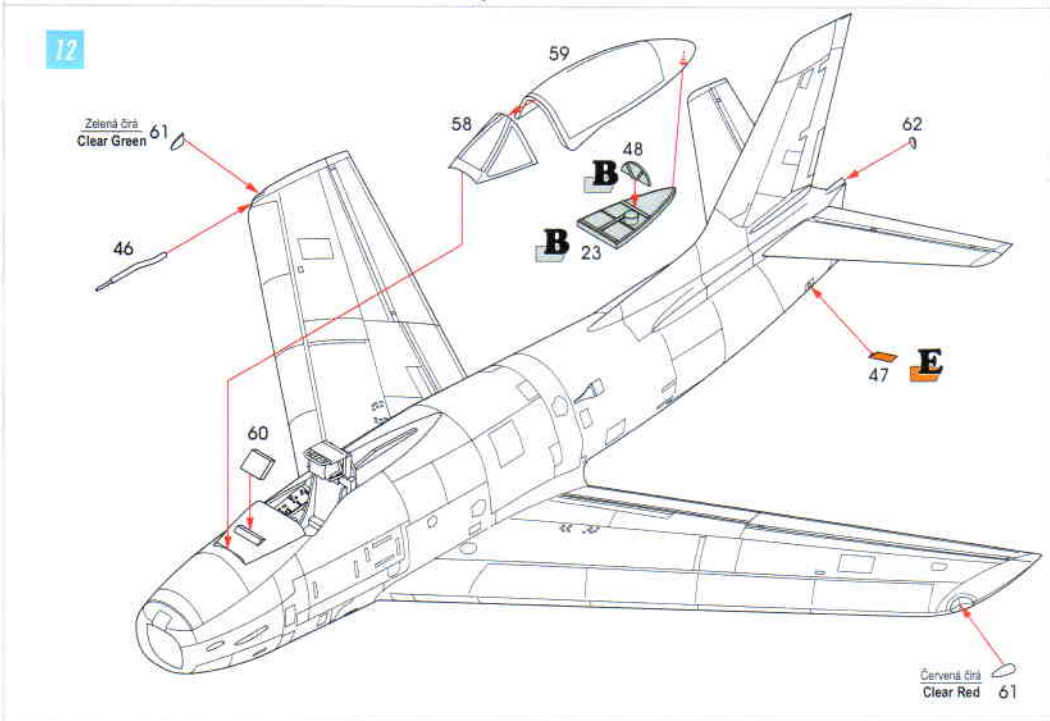
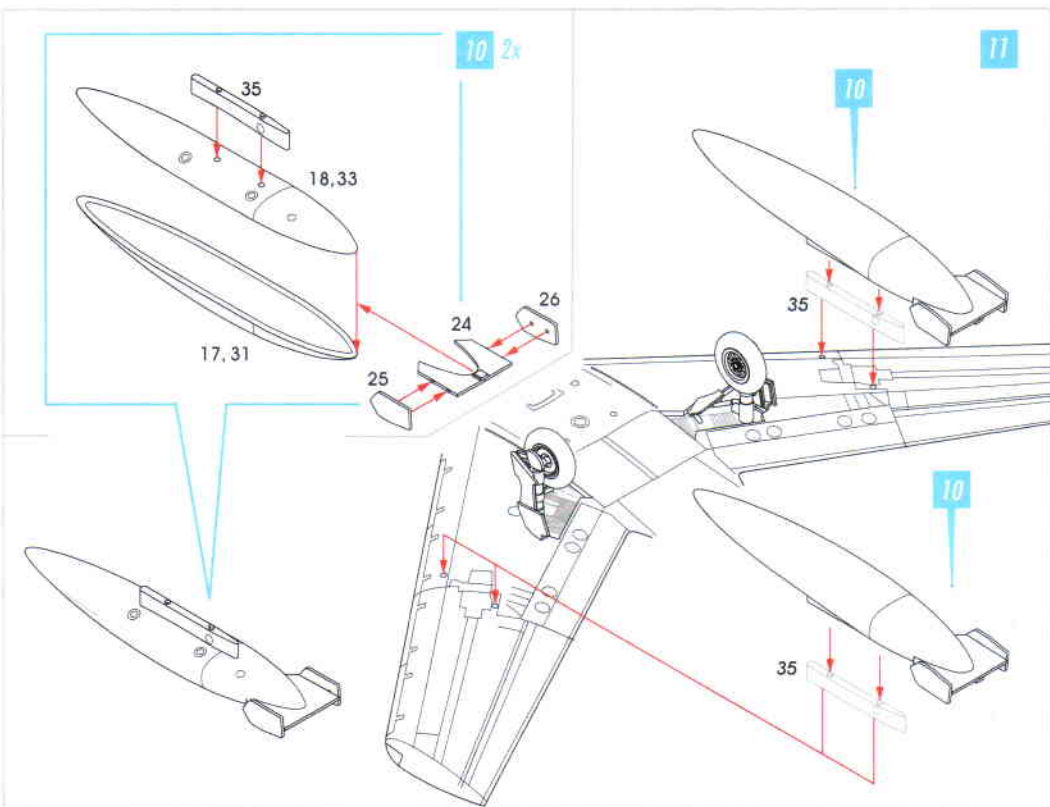


barvy/ colours

A	černá Black
B	světle šedá Light Gray
C	stříbrná Silver
D	bílá White
E	červená Red
F	khaki Khaki
G	šedočerná Tyre Black
H	hnědá Brown
I	kovová tmavá Gun Metal
J	zelená Green
K	žlutá Yellow

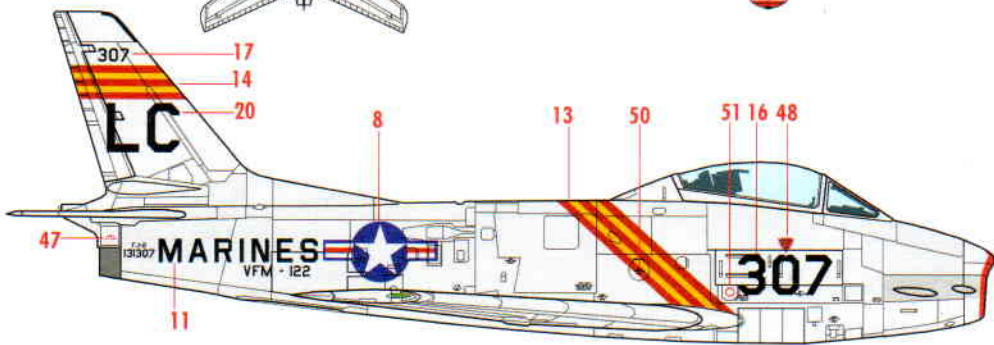
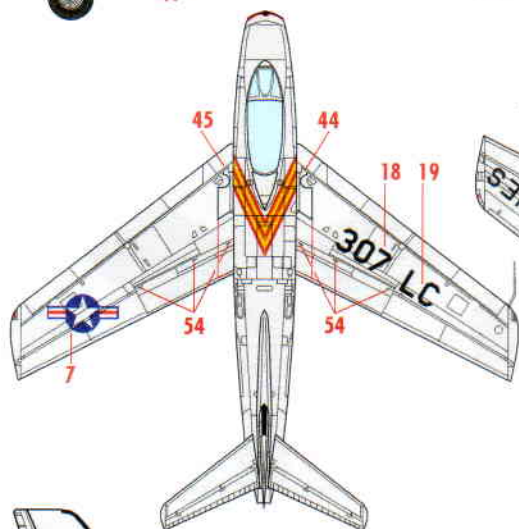
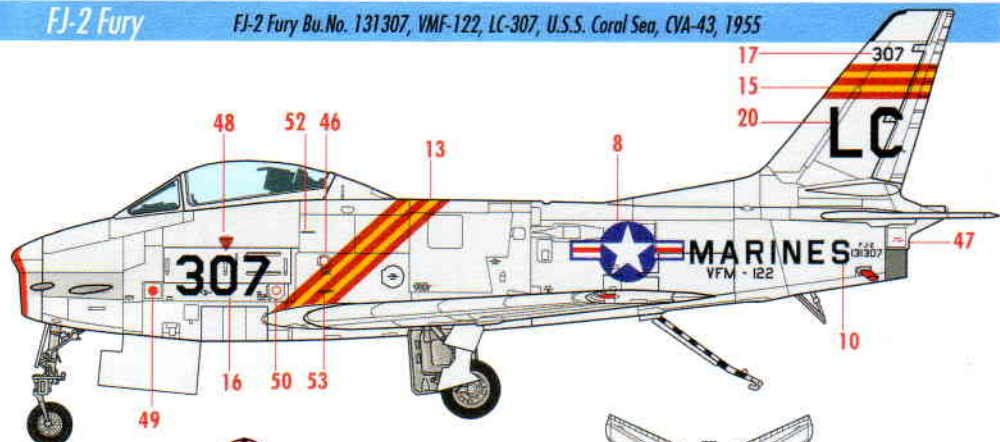






FJ-2 Fury

FJ-2 Fury Bu.No. 131307, VMF-122, LC-307, U.S.S. Coral Sea, CVA-43, 1955



Silver



Natural metal



White



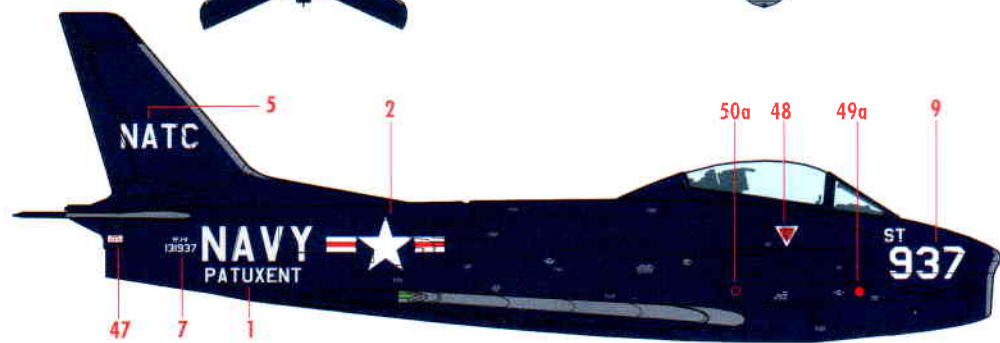
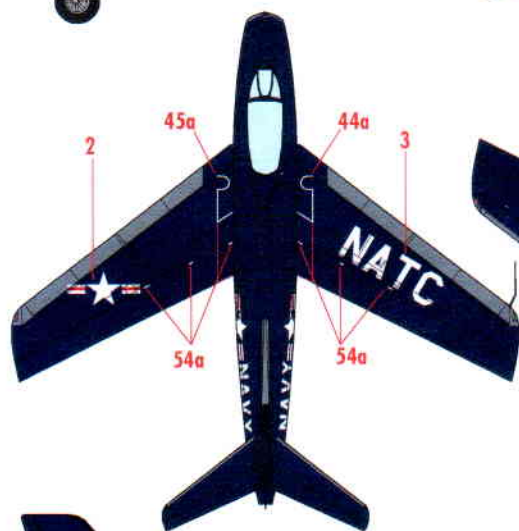
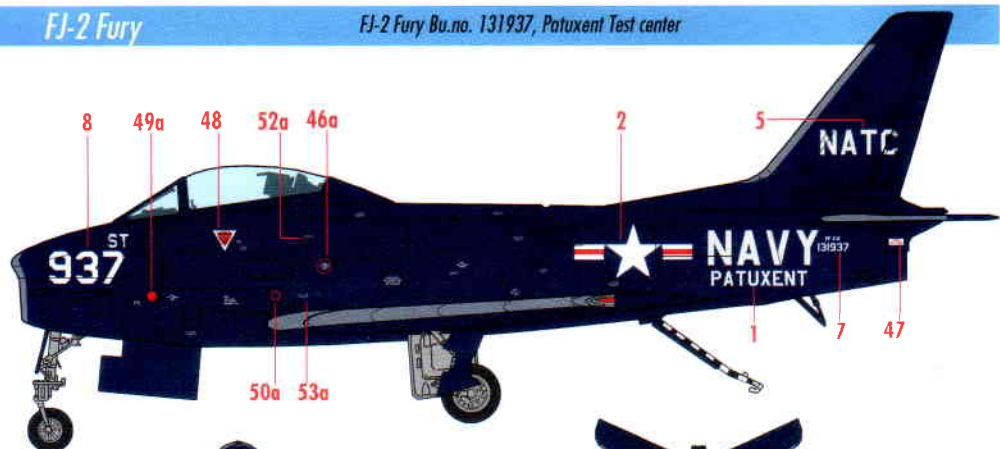
Black



Red

FJ-2 Fury

FJ-2 Fury Bu.no. 131937, Patuxent Test center



Silver



Natural metal



White



Navy Blue



Black