

# DAPOL

## 00/H0 TRACKSIDE MODEL C017 : SIGNAL GANTRY

Made in Wales using  
recycled plastic



Not suitable  
for children  
under 10 years old

**Please Note** - The tools used to produce this model were made over 50 years ago. Over the period, changes have been made and it may be that reference numbers moulded into the plastic parts do not match the numbers used in these instructions. Therefore we advise you to FOLLOW the exploded diagram and instructions.

**ASSEMBLY INSTRUCTIONS:** It is recommended that the instructions and exploded view are studied and that the assembly is practiced before cementing together. Certain parts may need to be trimmed and may best be painted before cementing.

### WARRANTY:

Parts can get bent during transit or by prolonged storage. However misshapen parts can be straightened by placing them in hot water to soften the plastic and then carefully manipulating them back into shape by finger pressure. Please be careful that the water does not cause harm to skin or fingers.

In the event of parts being broken or missing, then you **MUST** return to the place of purchase (the seller). The seller will replace your kit and return the original kit to Dapol under their agreed contractual terms. Do **NOT** return to Dapol.

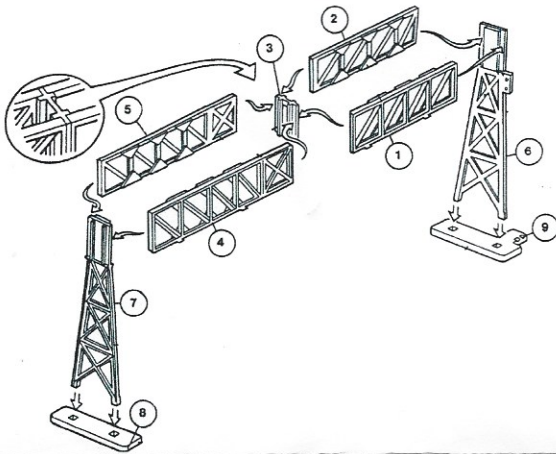
Finally please note that Dapol does not keep individual parts for any kit.



= CEMENT



= ASSEMBLED SECTION



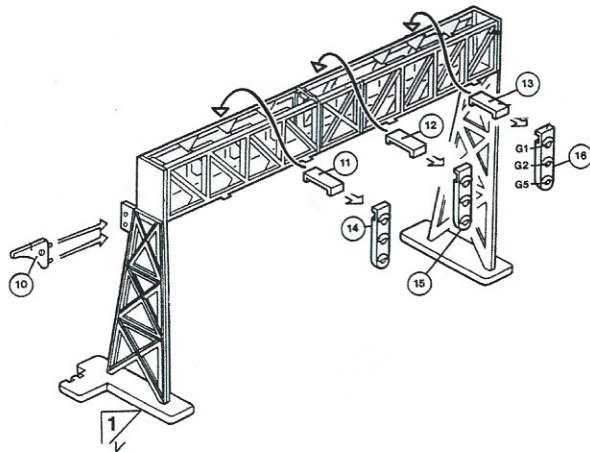
**1:** Cement gantry cross member parts 1 & 2 and 4 & 5 to main holding piece (3).

Note that the gantry has 'outside' and 'inside' faces.

**2:** Cement side stanchion (6) to base (9).

**3:** Cement side stanchion (7) to base (8).

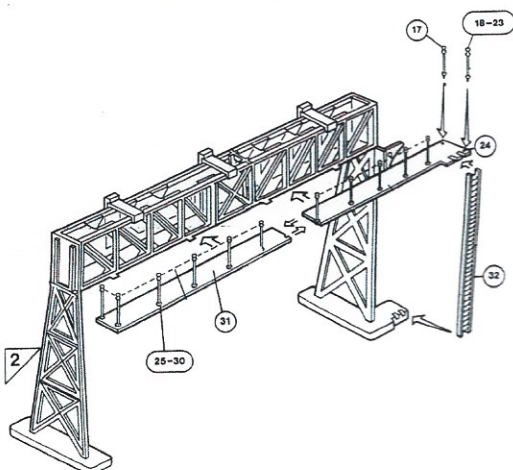
Allow to thoroughly dry and then attach complete cross member to side stanchions as shown.



**4:** Cement walkway support (10) to side stanchion <1>.

**5:** Cement light supports (11 - 12 -13) over top of cross member as shown.

**6:** Cement lights (14 - 15 - 16) to light supports as shown



**7:** Cement handrail stanchions (17 - 23) into the holes in the walkway base (24) and note that stanchion #23 is positioned halfway into the end of the walkway.

**8:** Repeat for opposite walkway (25 - 31) and noting that stanchion #23 is used to solidify the join between the two walkway pieces.

**9:** Cement ladder (32) to the walkway as shown.

Leave to thoroughly dry.

**10:** Cement the walkway onto the small protruding lugs on the gantry and at the same time position and cement the base of the ladder into the cavities on the side stanchion as shown.

**11:** Handrails between the twelve stanchions can be formed using either cotton or nylon thread as shown.