

STAR WARS
RETURN OF THE JEDI™

A-WING FIGHTER™

TM & © Lucasfilm Ltd. (LFL) 1983 All Rights Reserved.
Fundimensions, Division of CPG Products Corp., Authorized user.

mpc

78-1973-250

- 5 — STEP NUMBERS
- 32 — PLASTIC PART NUMBERS
- (A) — OPTIONAL
- (2X) — REPEAT SEVERAL TIMES
- (X) — REMOVE
- ★ — REFER TO
- (D) — DECAL

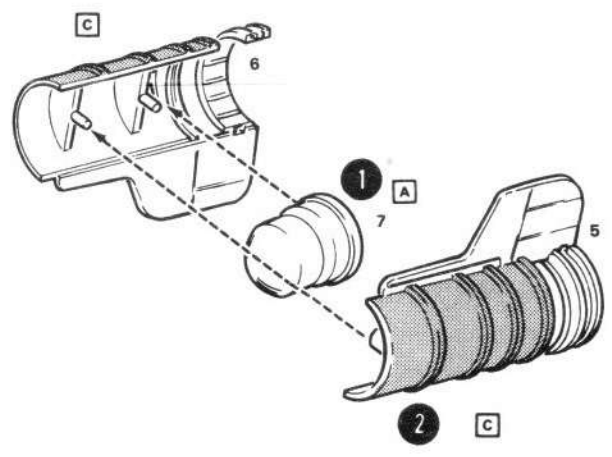
- Study assembly drawings carefully before starting.
- Each part is identified by a part number (14).
- Allow paint to dry thoroughly before handling.
- Refer to last page for decal and painting instructions.
- ★ Refer to other assembly drawing for location.
- Your model may be painted to match the box photos.
- Follow the step numbers 5 in each assembly drawing.

IT'S A
SNAP
MODEL KIT

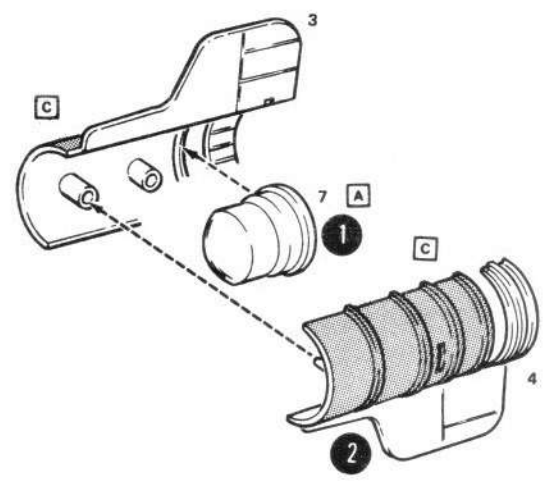
1983 Fundimensions, Division of CPG Products Corp.

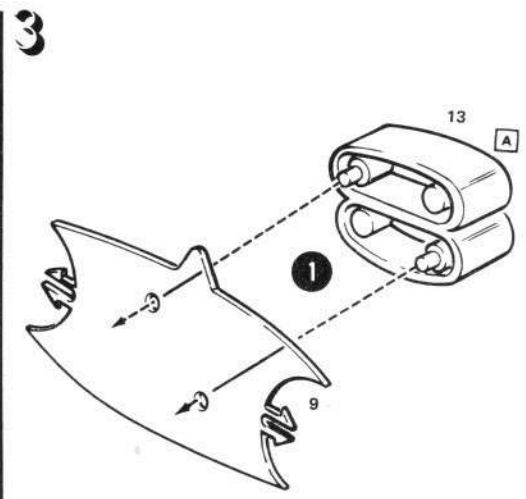
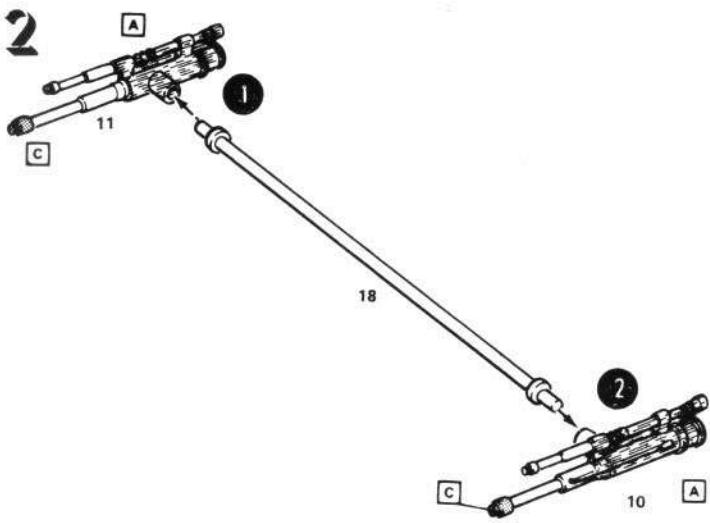
1

LEFT SIDE ENGINE

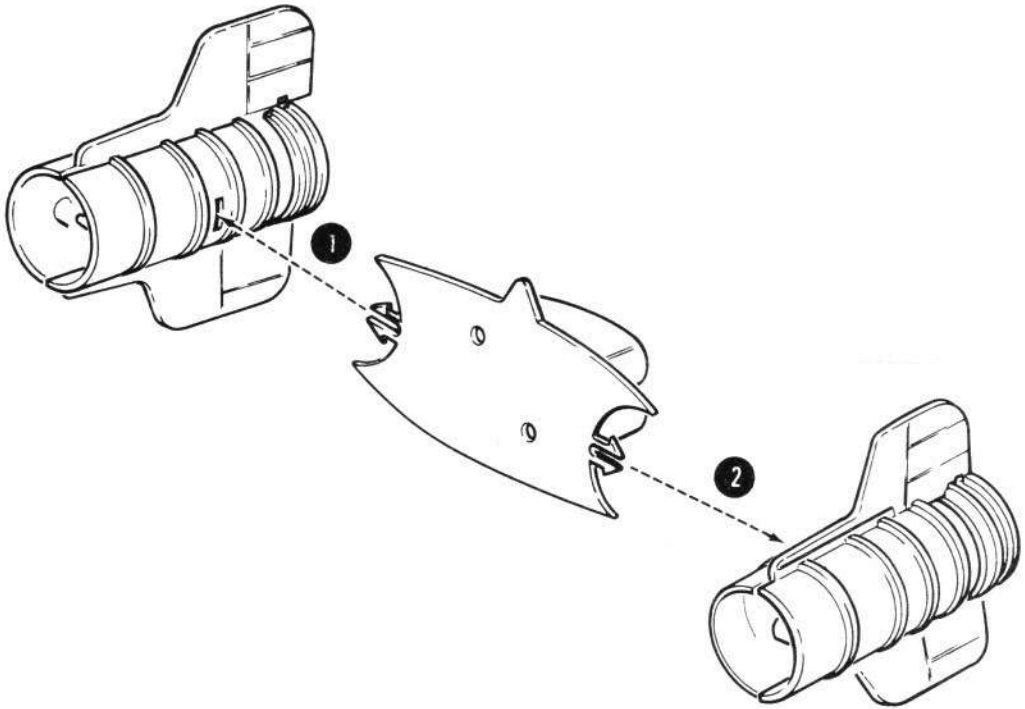


RIGHT SIDE ENGINE





4



5

