

German Tank Destroyer

HETZER

1/72 SCALE



SPECIFICATION

GENERAL

CREW: 4
BATTLE WEIGHT: 17.6 tons.
GROUND PRESSURE: 11.4 lbs/sq. in.

DIMENSIONS

LENGTH OVERALL: 16 FT
HEIGHT: 7 FT
WIDTH: 8.4 FT
WIDTH OF TRACK: 13.8 IN.
GROUND CLEARANCE: 16 IN.

ARMAMENT

ONE 7.5 cm. PAK, CALIBER LENGTH 48.
ONE 7.9 mm. MG. 34 (MOUNTED ON ROOF AND
REMOTE CONTROLLED).

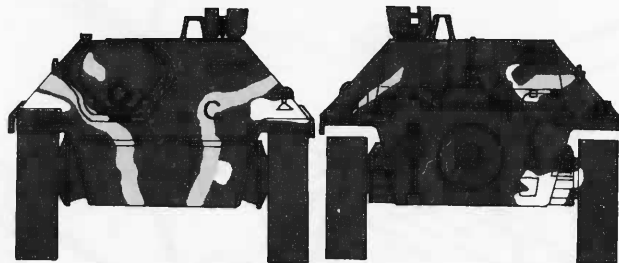
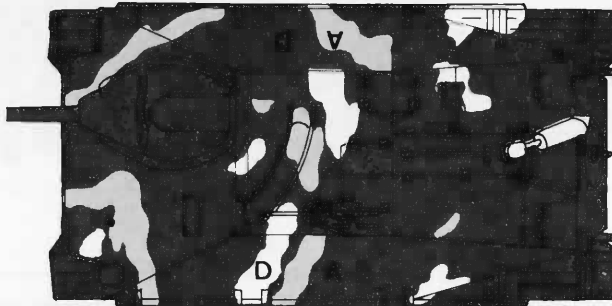
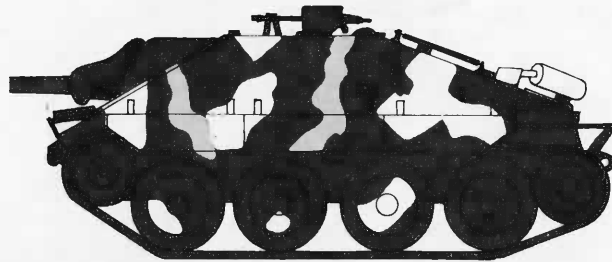
ENGINE

EPA (TYPE T2), 6 CYLINDERS, IN LINE, 158 HP AT 2,600 RPM,
GASOLINE, LIQUID-COOLED.

PERFORMANCE

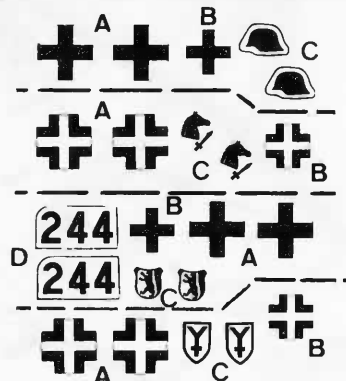
SPEED: 24 MPH ON ROADS;
10 MPH CROSS-COUNTRY
CLIMBING ABILITY: 37° (75 %) SLOPE.
TRENCH CROSSING ABILITY: 4.3 FT
FORDING DEPT: 35 IN.
FUEL CONSUMPTION: 1.3 MI/GAL. ON ROADS;
0.7 MI/GAL. CROSS-COUNTRY
FUEL CAPACITY: 85 GAL. IN TWO TANKS.

KIT 8011



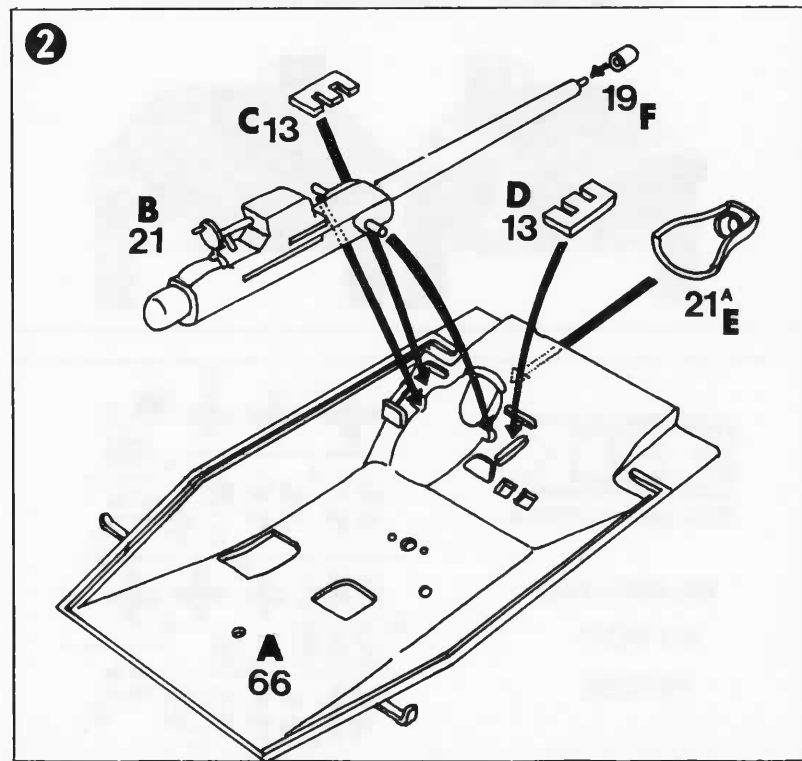
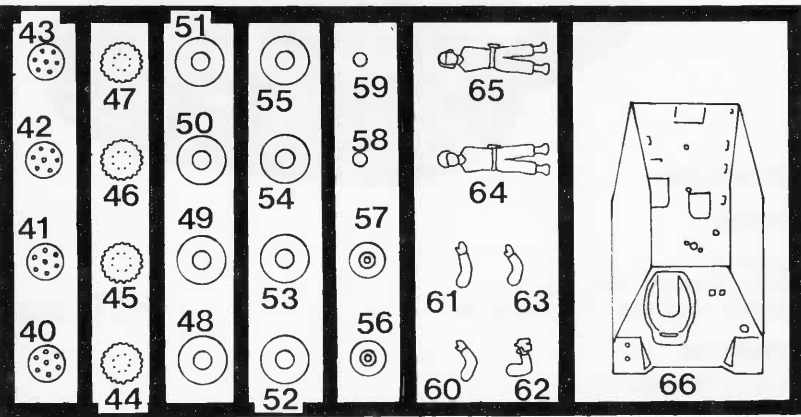
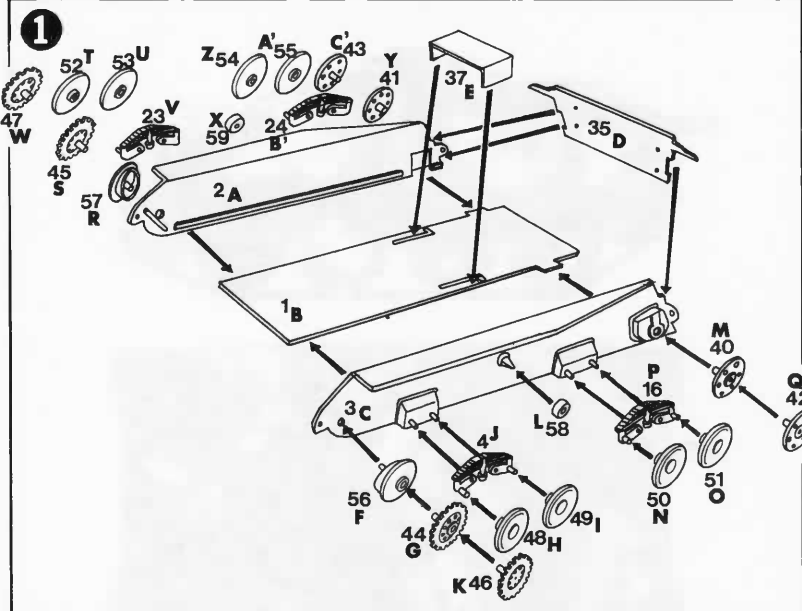
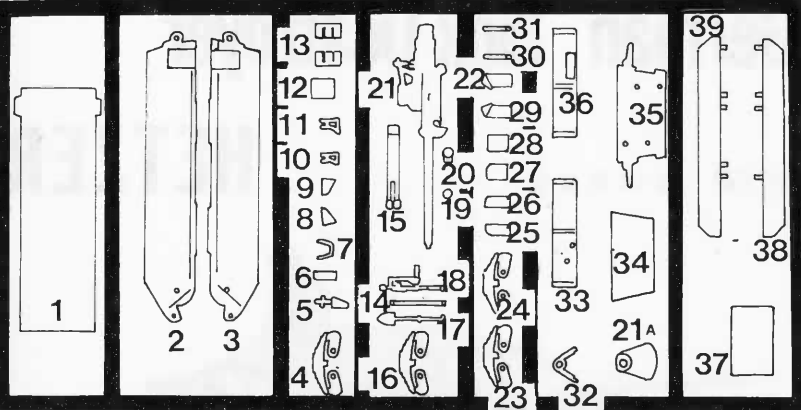
ESCI
ESCI MODELLISTICA

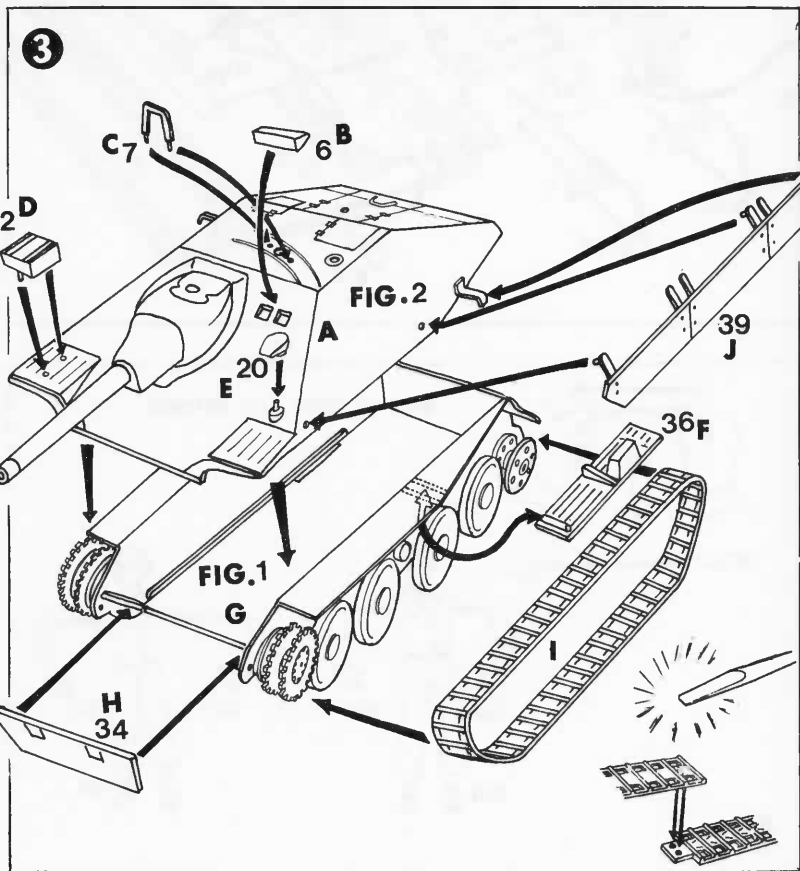
MILANO-ITALY
KIT 8011
HETZER



ARMOR
ESCI

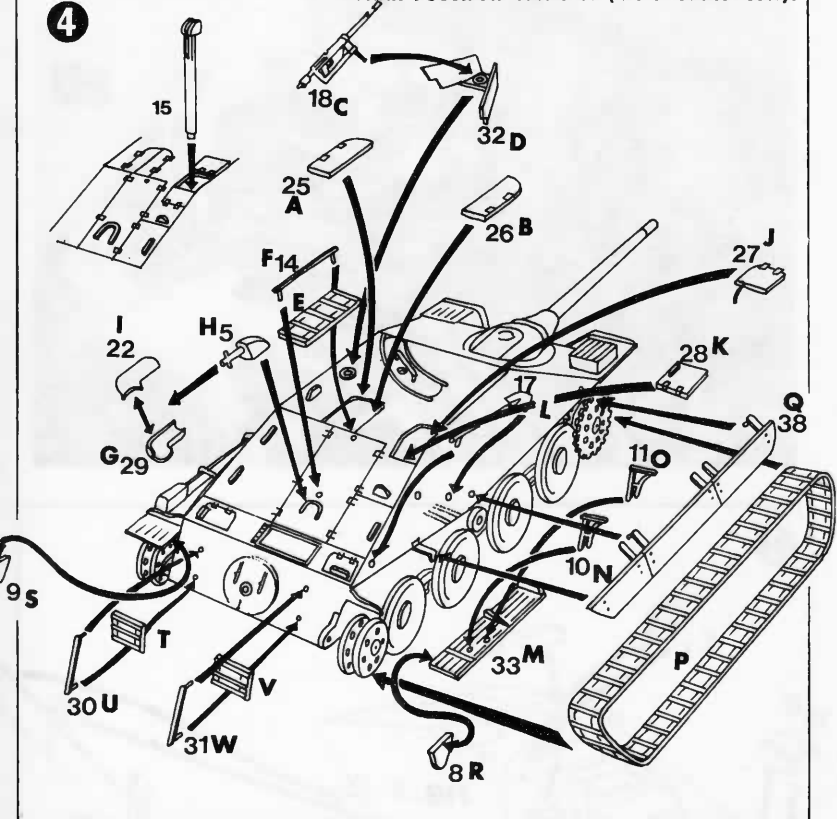
MADE IN ITALY



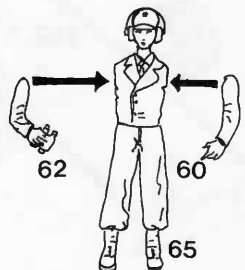
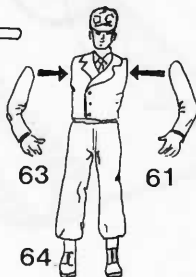
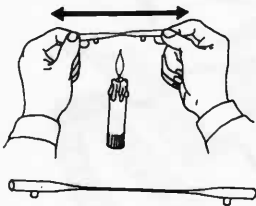


OTHER POSSIBLE VERSION (WITH PERISCOPE).

4



WAY TO BUILT THE ANTENNA.



5