

ACADEMY

HOBBY MODEL KITS

GENERAL DYNAMICS

F-111C

AARDVARK

STRATEGIC BOMBER

1/48TH SCALE





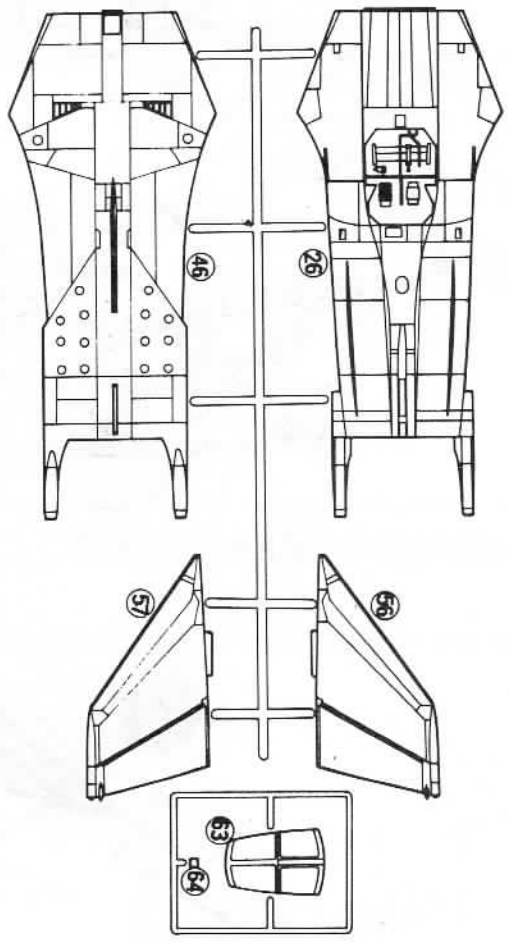
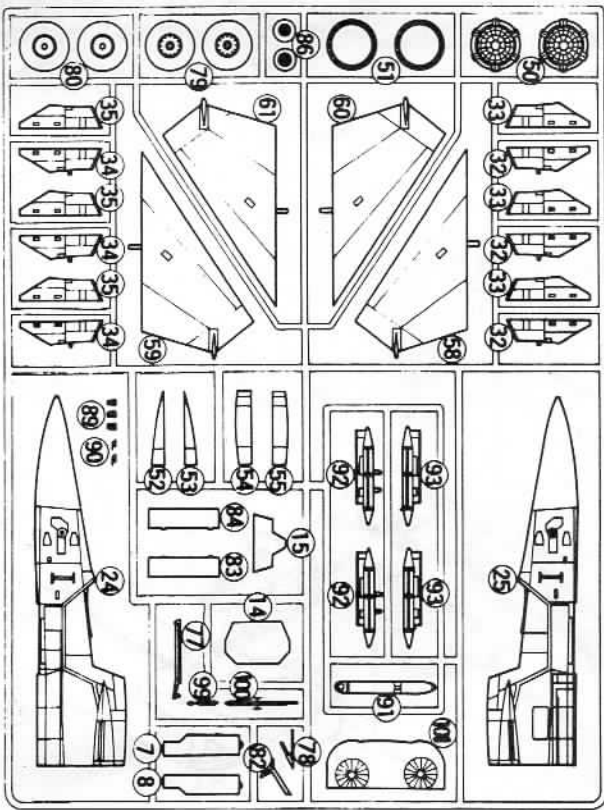
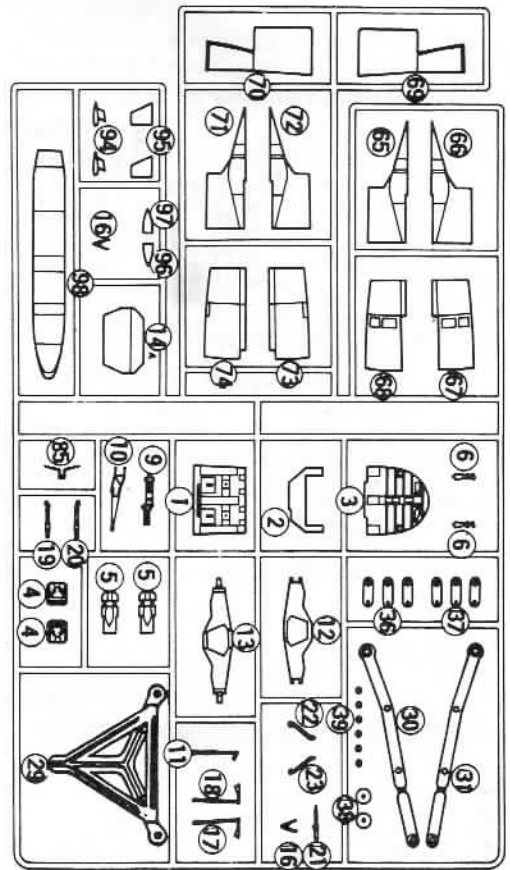
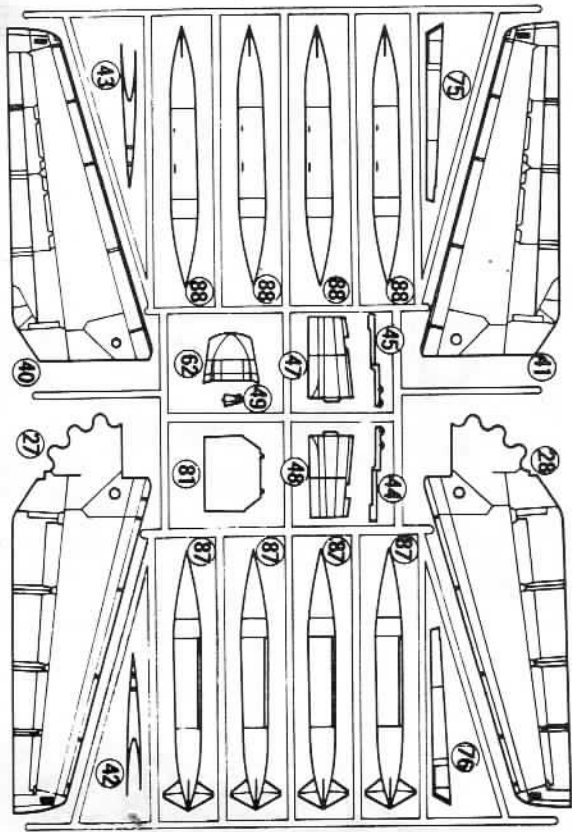
THE F-111C AARDVARK

Designed to be a multi-service tactical strike fighter, the F-111 developed into one of the most controversial aircraft ever constructed. Its problems started with the McNamara decree that the plane be designed for use by both the Air Force and Navy. Due to weight limitations that the F-111 could never achieve, the Navy version of the F-111, after seven years of expensive development was scrapped, but the technology became part of the rapidly developed Grumman F-14 tomcat!

Once divorced from its dual service role, the Aardvark or TFX as it was called during its developmental days, became a truly fine and useful piece of hardware, but its teething problems were long and severe. More hours were spent on wind-tunnel testing, 20,000, than any other modern aircraft, but when finally accepted for operational duty, it was quickly learned that the aircraft had met or exceeded every requirement originally set forth by the Air Force.

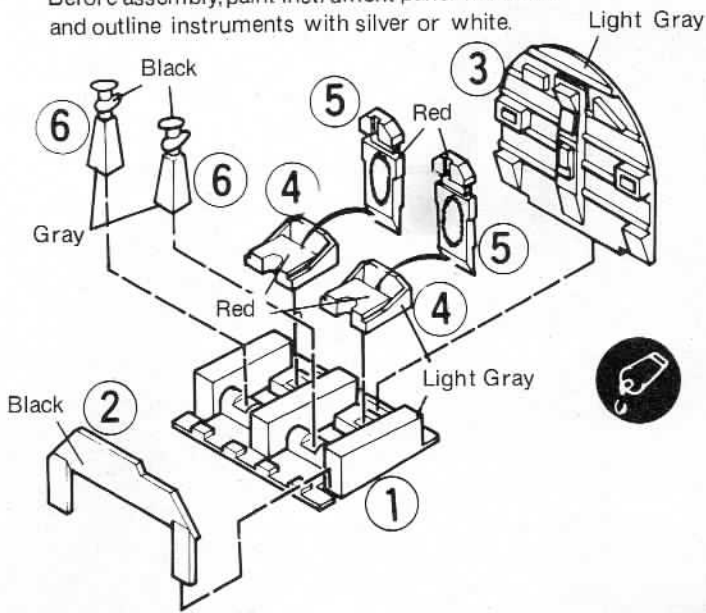
The F-111C probably went through the longest negotiations of any modern aircraft. Ordered by the Australian government in 1966, their two squadrons did not become operational until 1975. When the F-111A ran into its wing box problems, the 24 aircraft destined for Australia were dismantled and put into storage until the "fix" had been developed and prices and terms re-negotiated. From a starting price of \$4,000,000 in 1966, the final cost was \$24,000,000 per plane! The F-111C aircraft are similar to the F-111A except that they have the longer wing of the B version, stronger landing gear and a higher gross weight. The righthand control stick is also removeable from the aircraft depending on crew duties.

Parts Locator Diagram

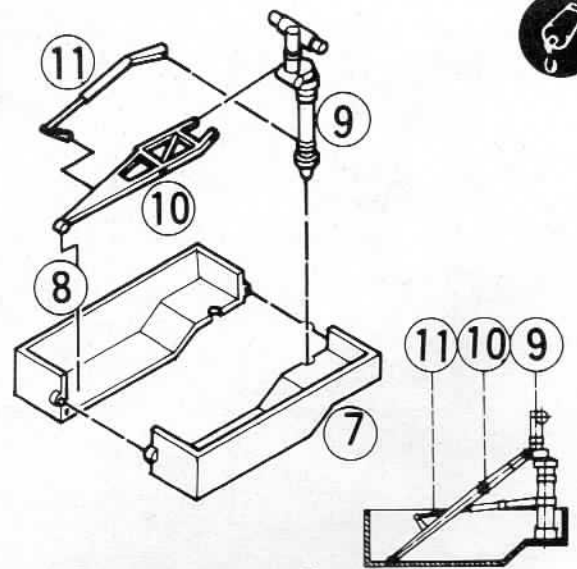


1 Cockpit sub-assembly

Before assembly, paint instrument panel flat black and outline instruments with silver or white.

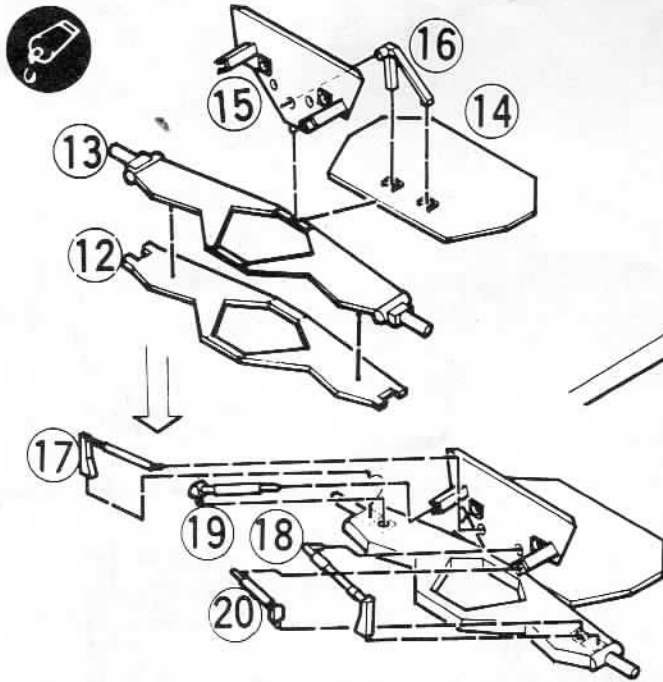


2 Front landing gear sub-assembly

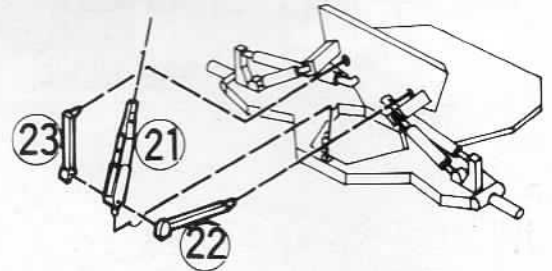


Paint all parts in this sub-assembly gloss white.

3 Main landing gear sub-assembly



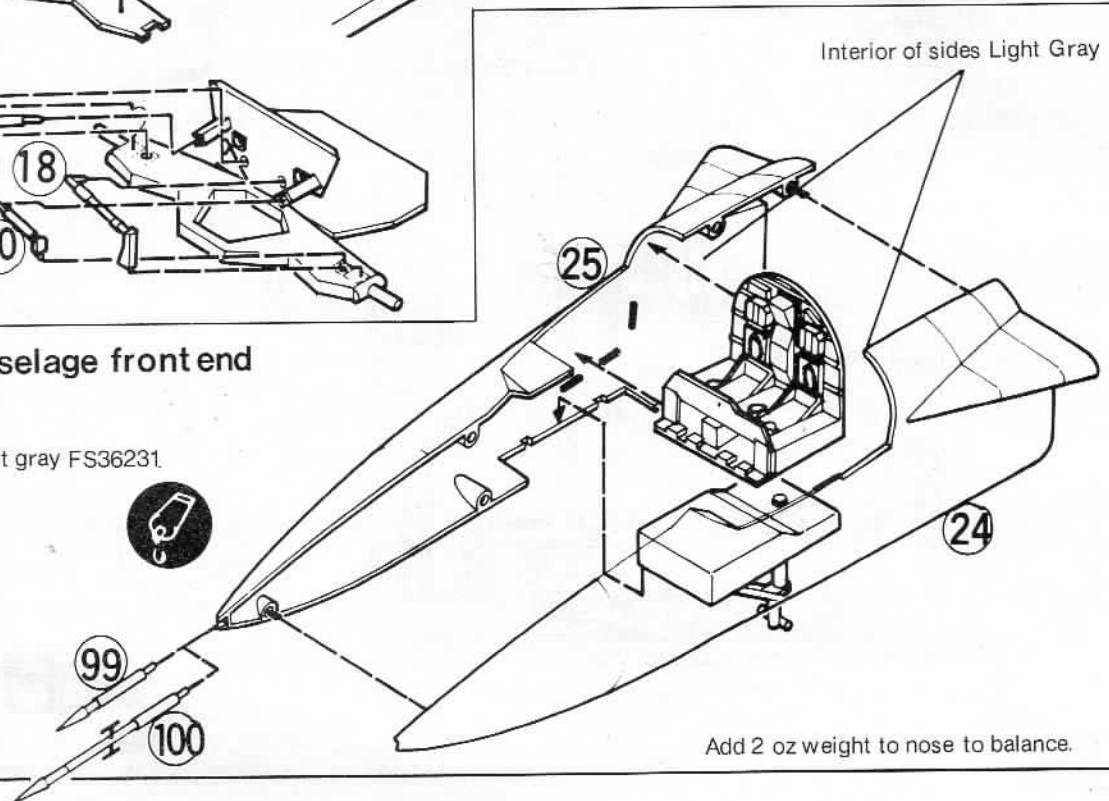
Paint all interior parts gloss white.



See photograph page 10.

4 Assembly of fuselage front end

Paint interior sides light gray FS36231.

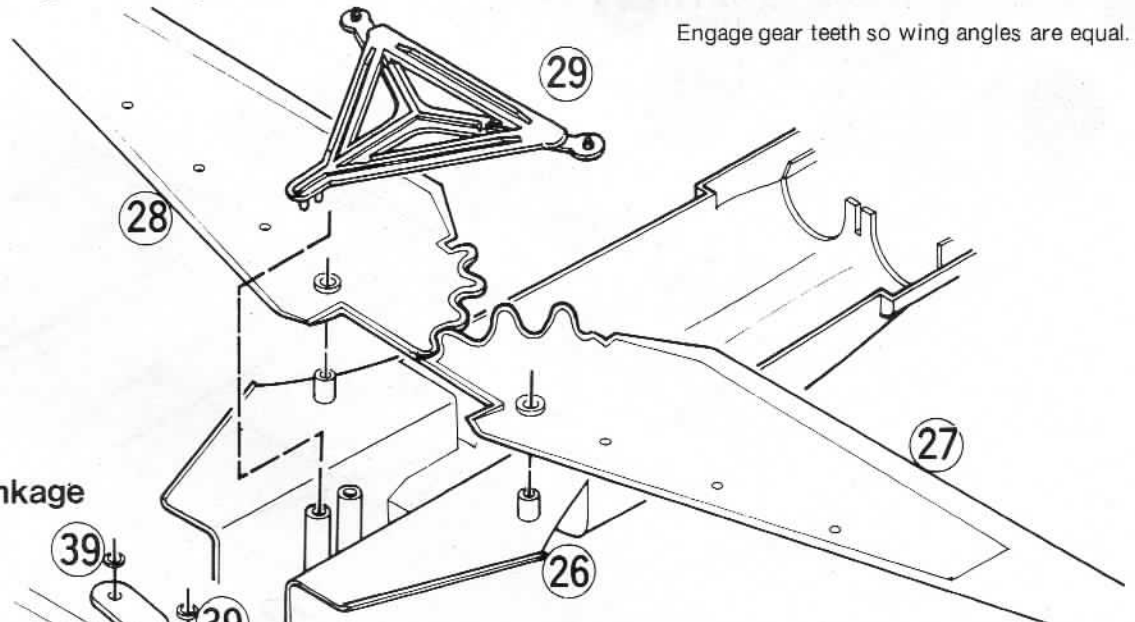


Add 2 oz weight to nose to balance.

5 Lower half wing assembly



Engage gear teeth so wing angles are equal.



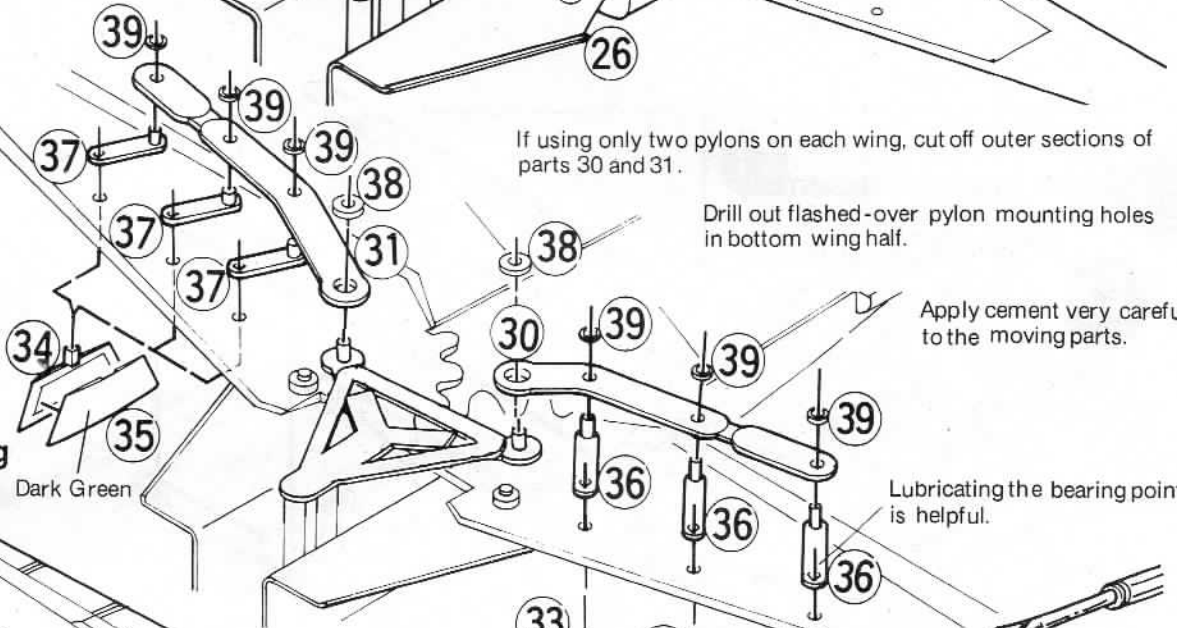
6 Pylon and linkage assembly



If using only two pylons on each wing, cut off outer sections of parts 30 and 31.

Drill out flashed-over pylon mounting holes in bottom wing half.

Apply cement very carefully to the moving parts.



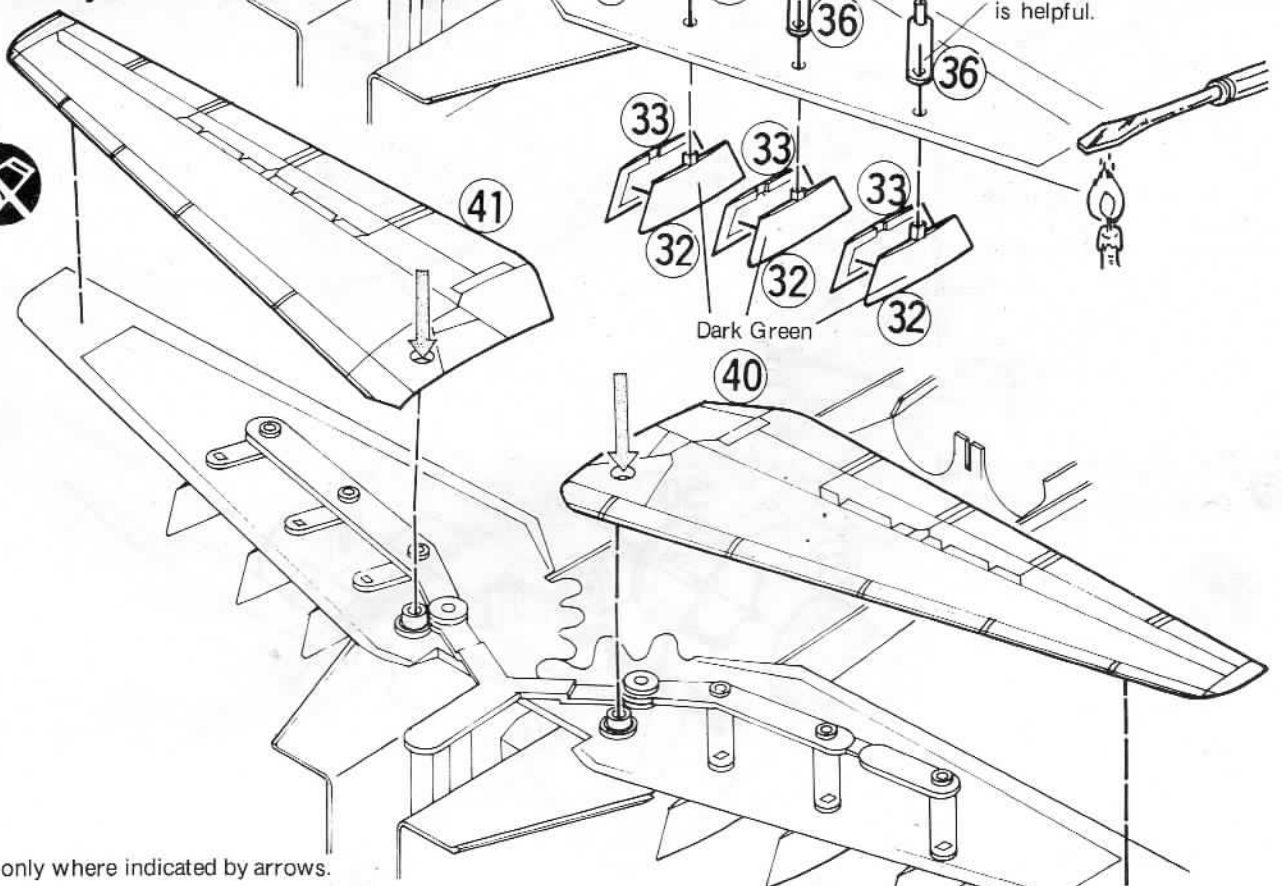
Lubricating the bearing points is helpful.

7 Final wing assembly

Dark Green

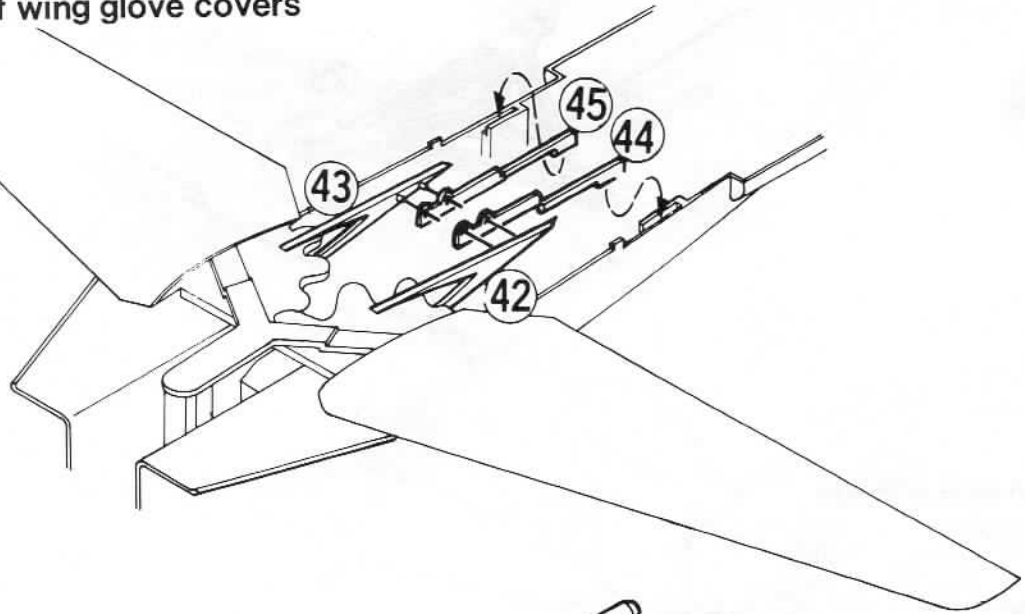


Dark Green

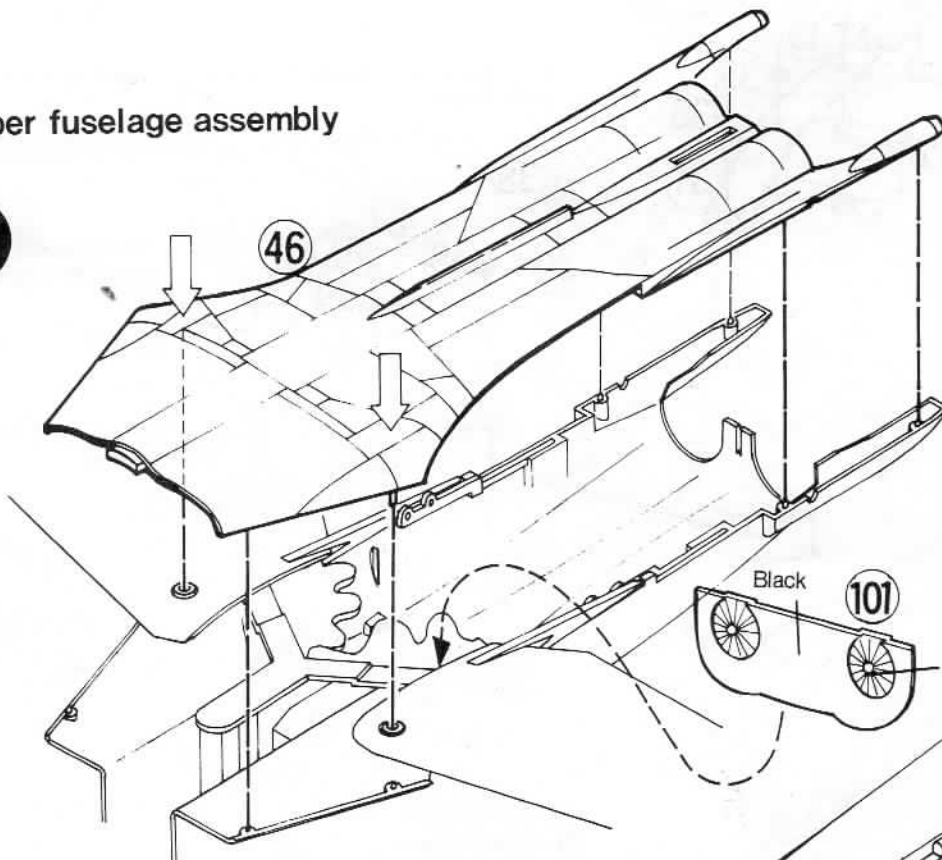


Press-fit only where indicated by arrows.

8 Assembly of wing glove covers



9 Upper fuselage assembly



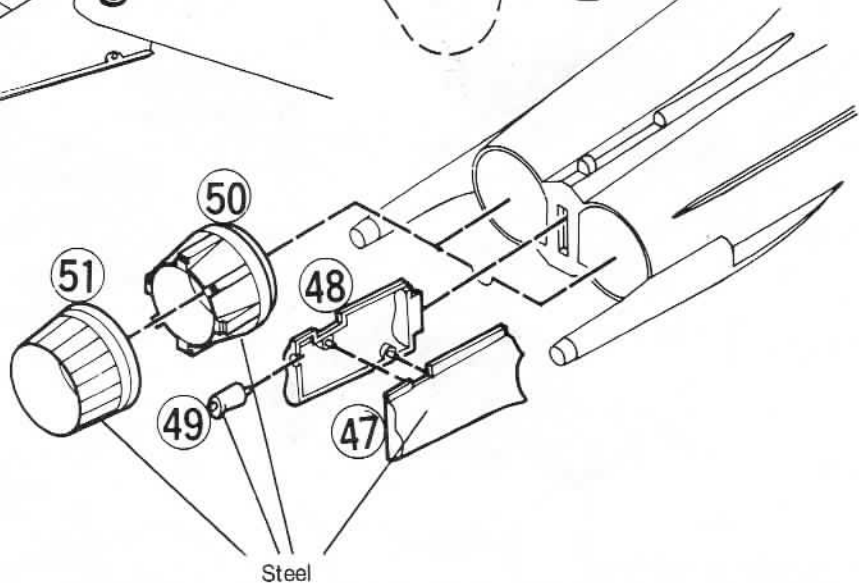
Black

101

Fit part 101 tightly to point indicated or wings will bind.

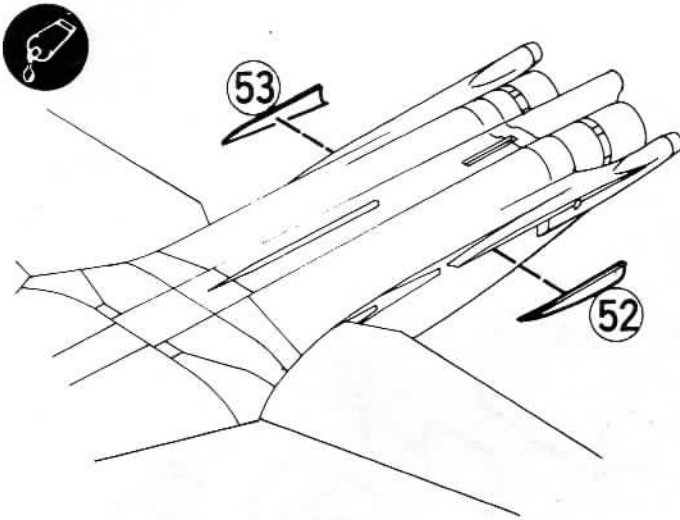
Steel

10 Exhaust cones and rear-end assembly

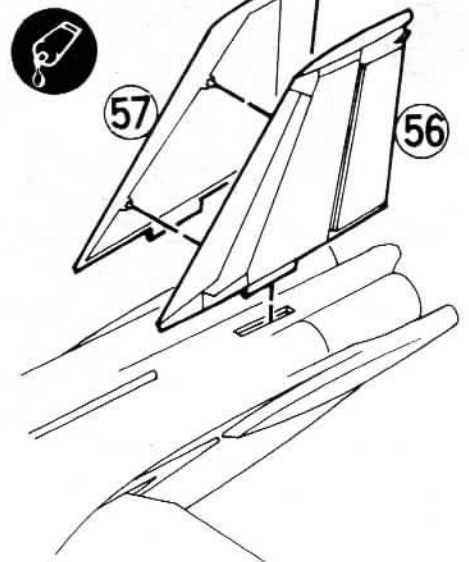


Steel

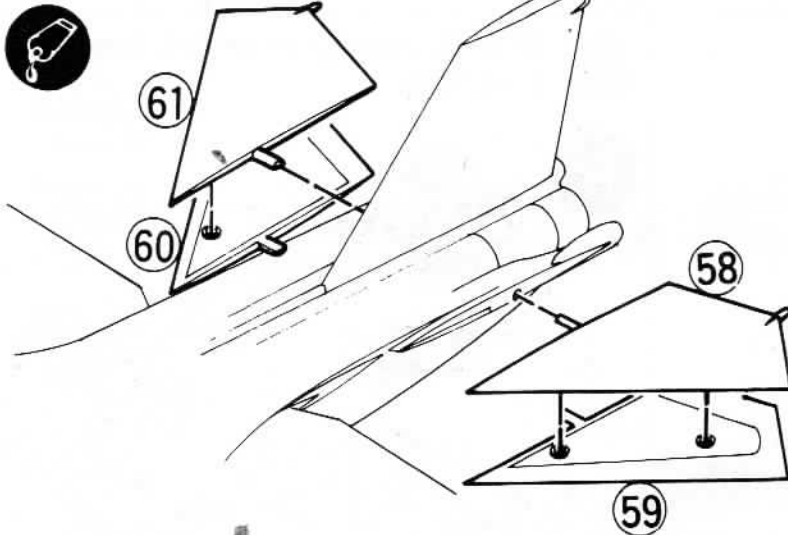
11 Stabilator fillet installation



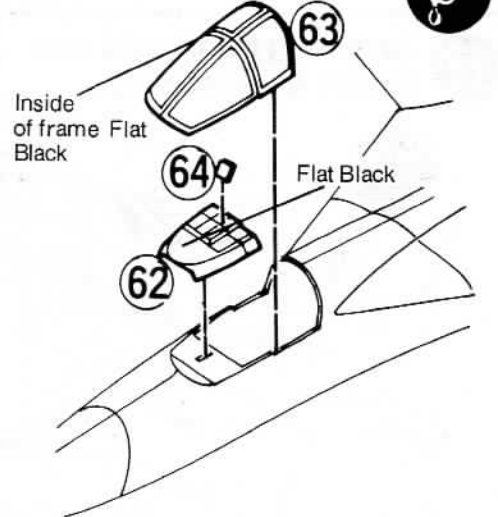
12 Rudder assembly and installation



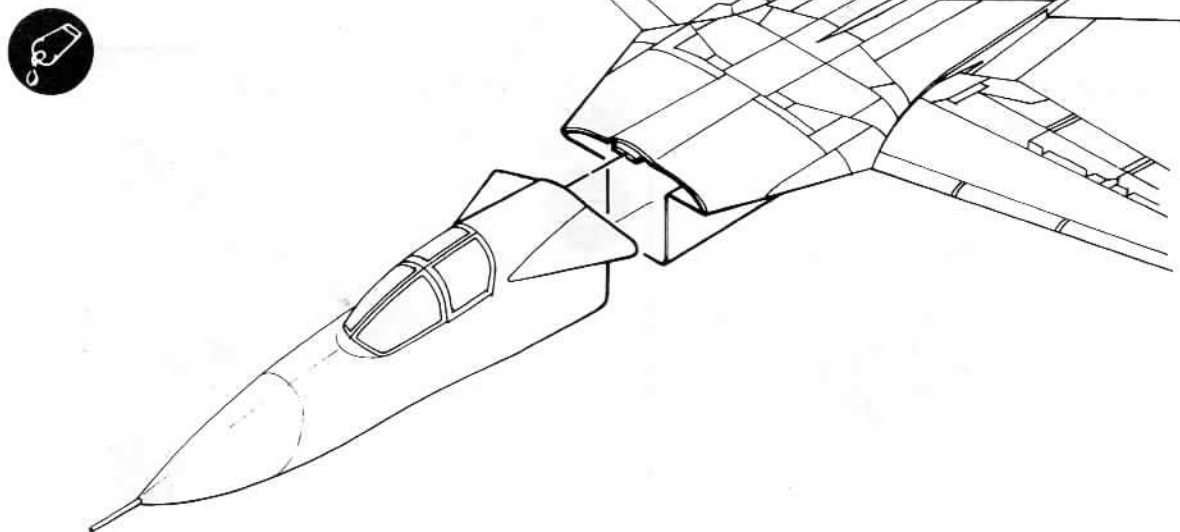
13 Stabilator assembly and installation



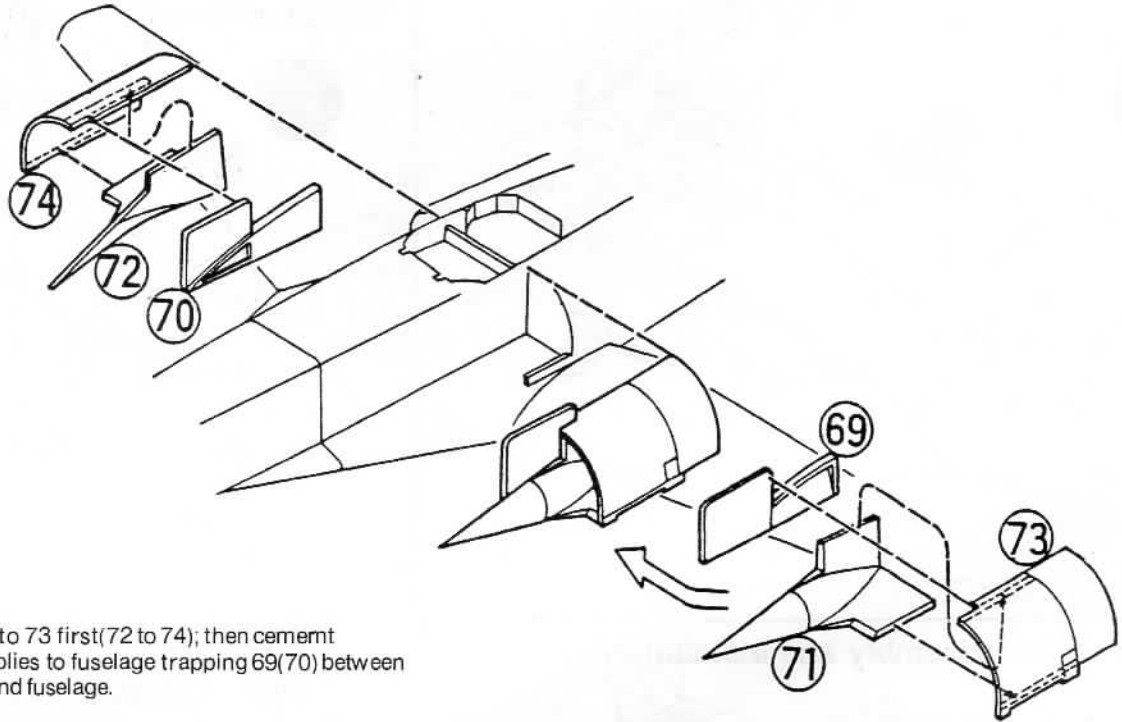
14 Canopy and hood assembly



15 Front fuselage assembly

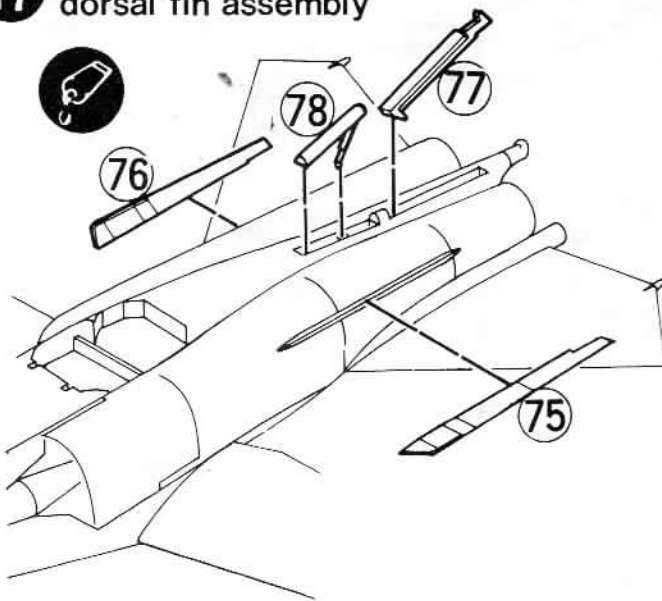


16 Triple-plough intake assembly

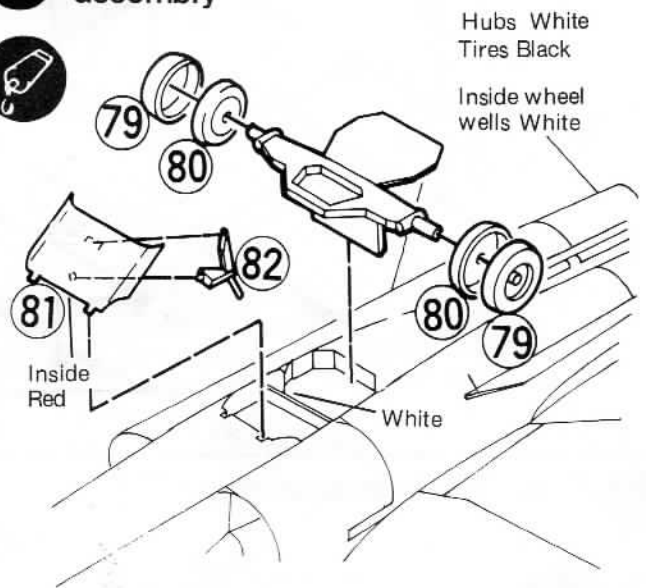


Cement 71 to 73 first(72 to 74); then cement sub-assemblies to fuselage trapping 69(70) between inlet cone and fuselage.

17 Arresting hook, skid and dorsal fin assembly



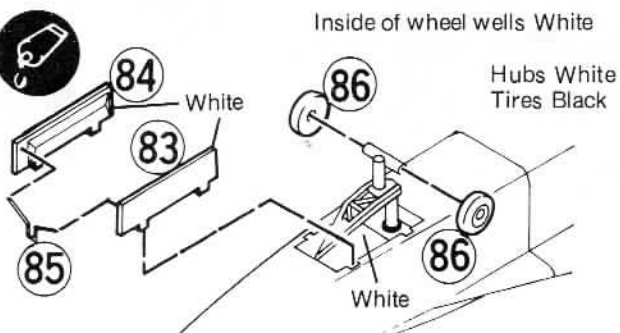
18 Main landing gear and air brake assembly



Hubs White
Tires Black

Inside wheel wells White

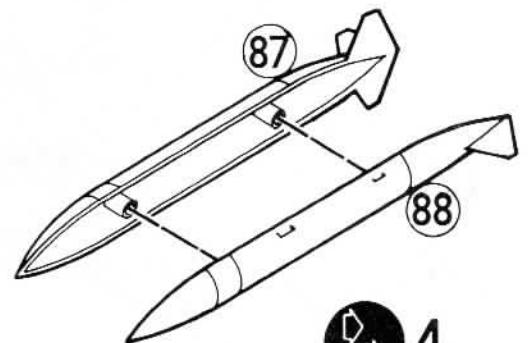
19 Front landing gear and wheel well door assembly



Inside of wheel wells White

Hubs White
Tires Black

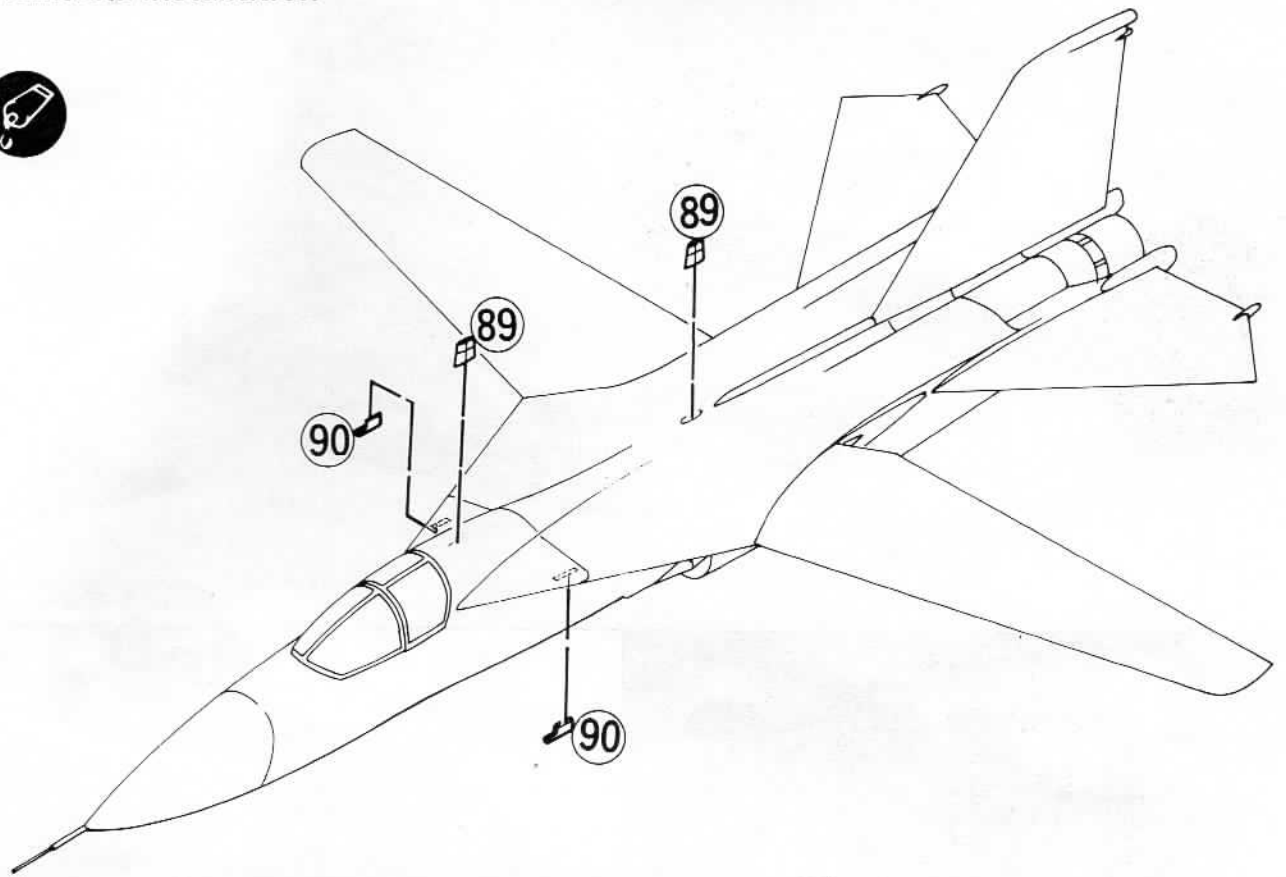
20 Fuel tank assembly



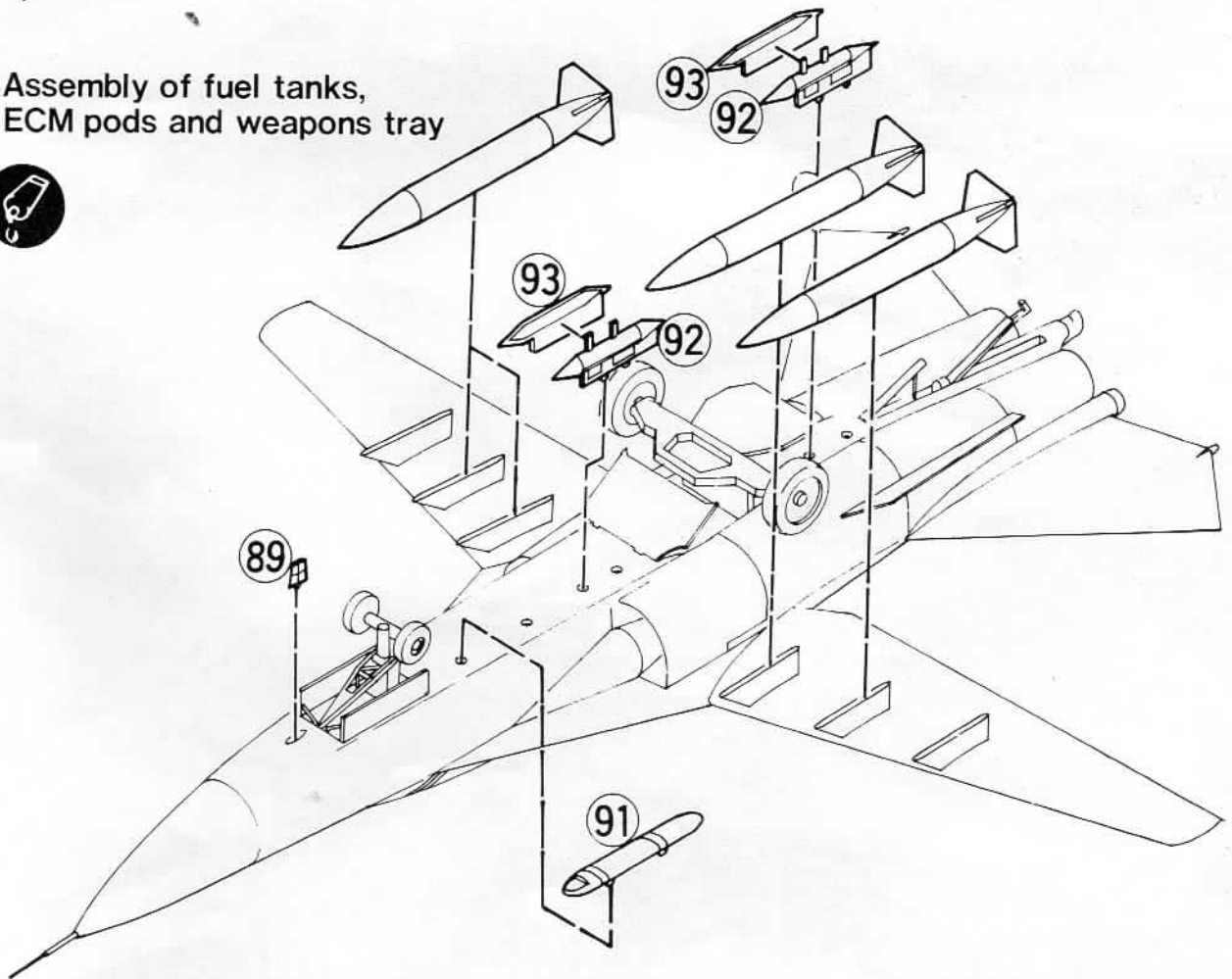
Make four tanks.

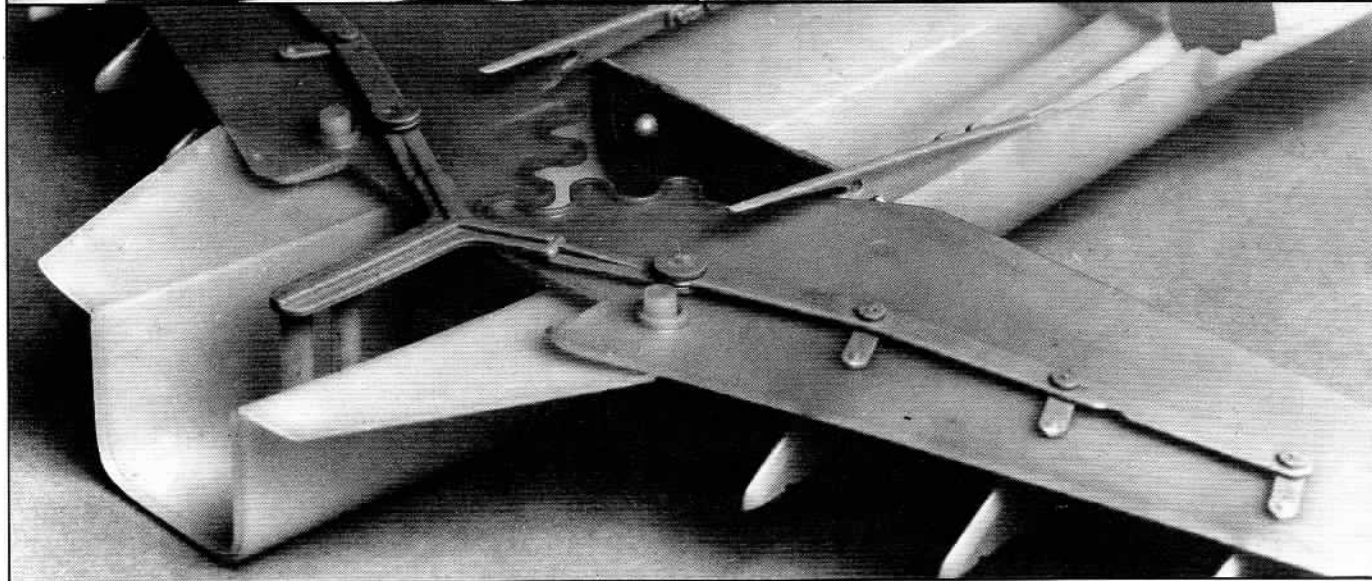
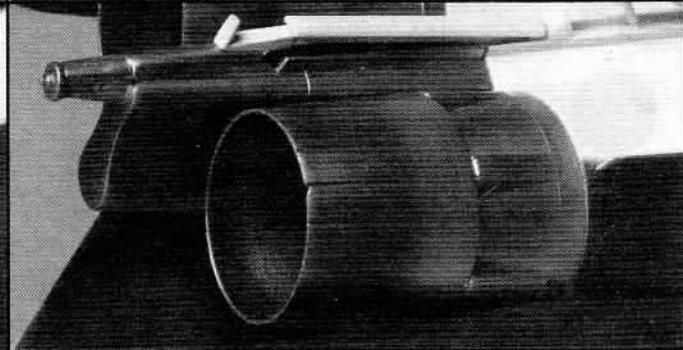
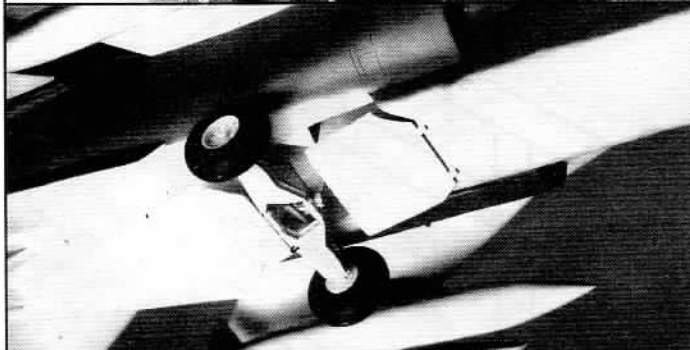
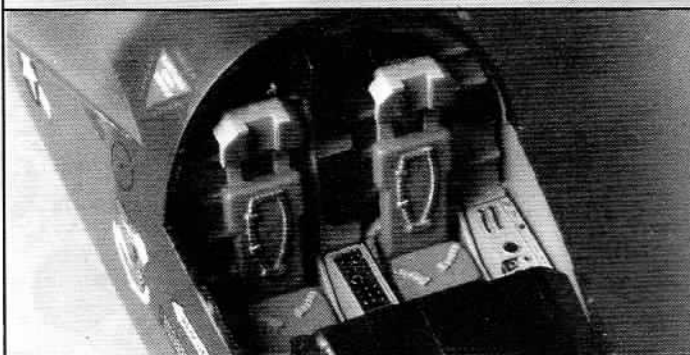
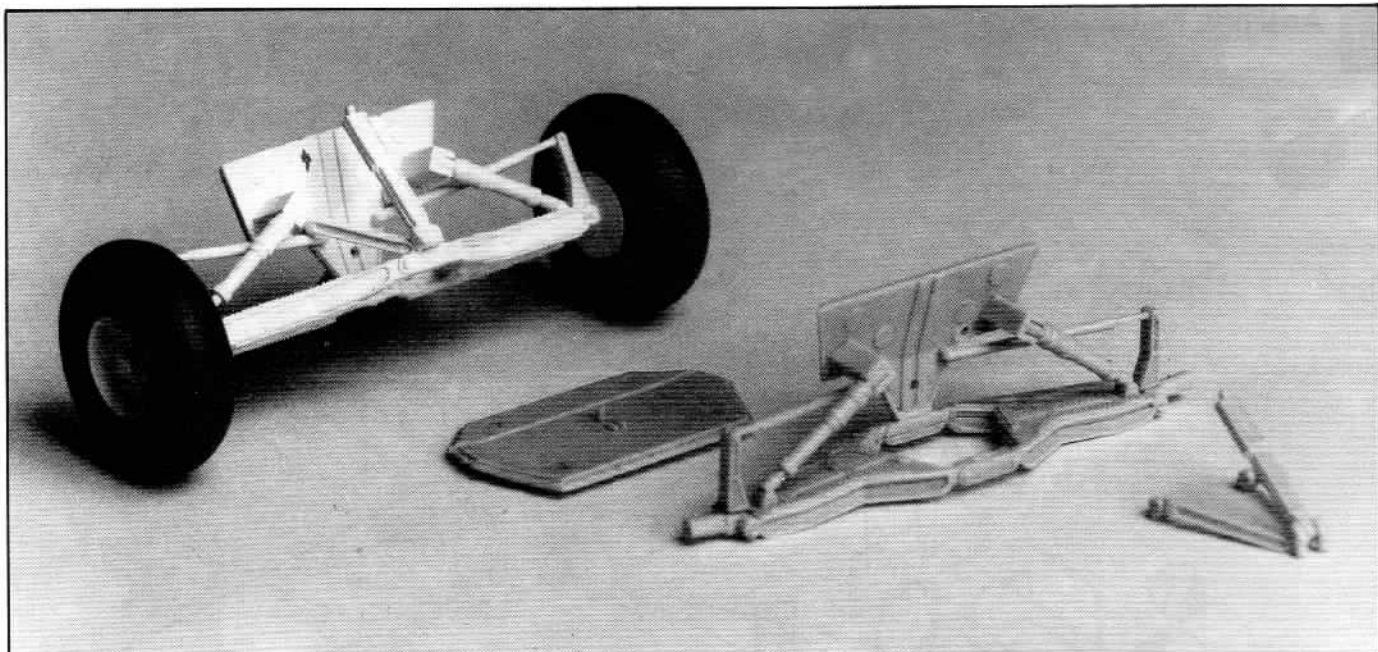
4

21 Antenna installation

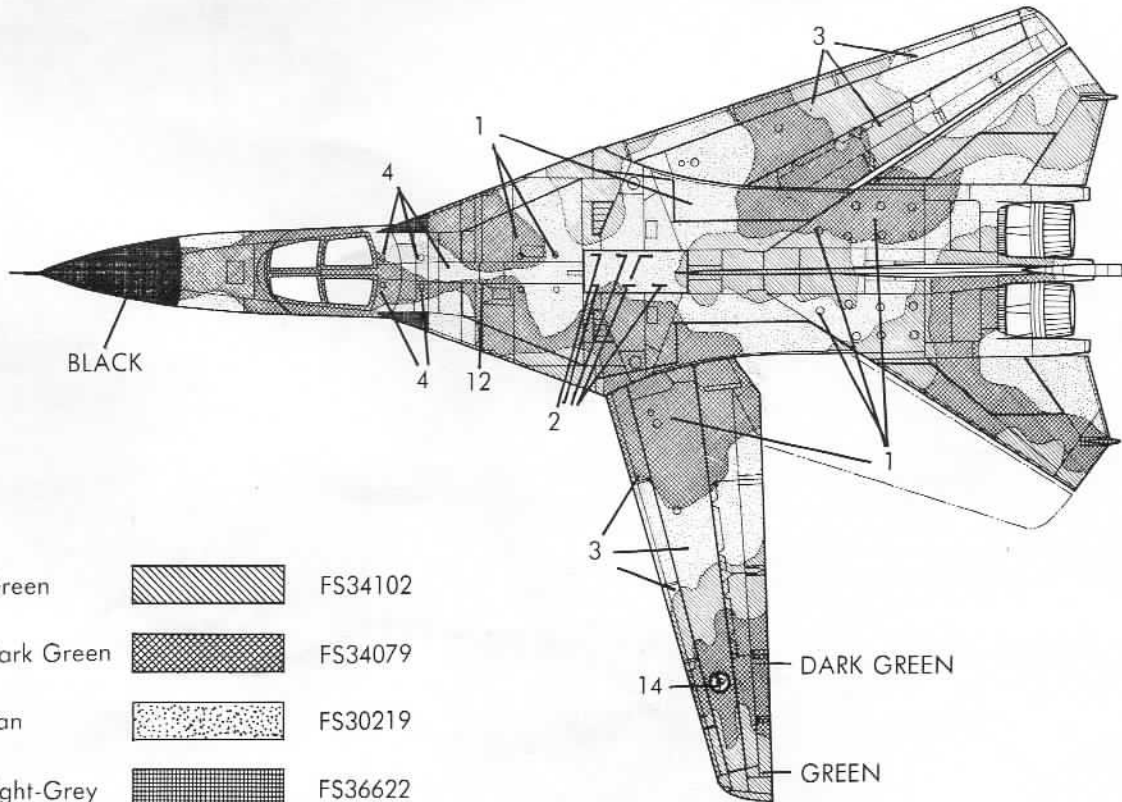
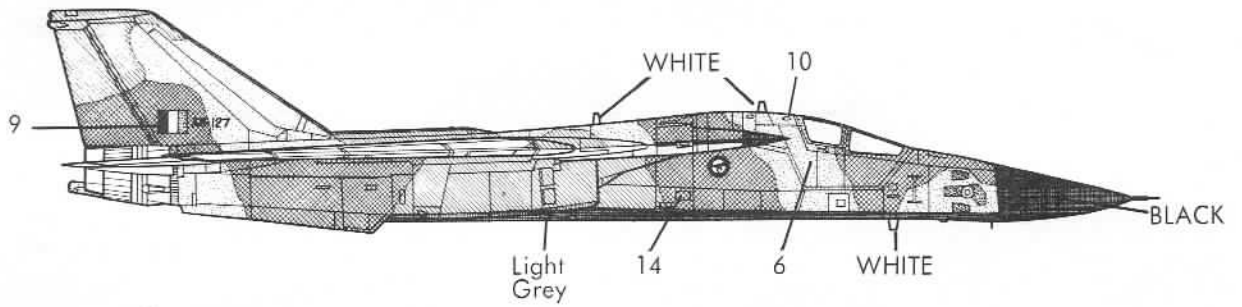
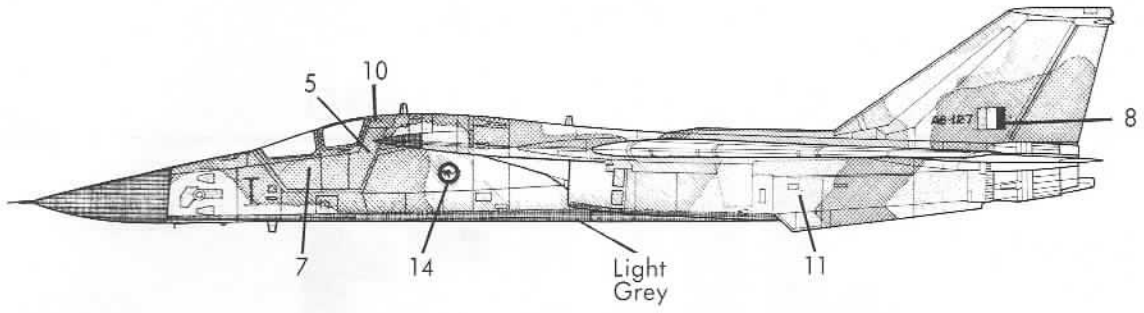




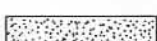


22 Assembly of fuel tanks, ECM pods and weapons tray

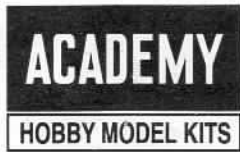




Painting and decal placement guide



Green		FS34102
Dark Green		FS34079
Tan		FS30219
Light-Grey		FS36622
Black		



Copyright Academy Plastic Model Co., Ltd.
273-64, Suyu-dong, Kangbuk-ku, Seoul, Korea FAX: 82-2-997-3003