



72-606

Hawker Audax

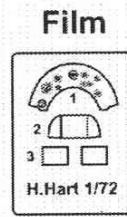
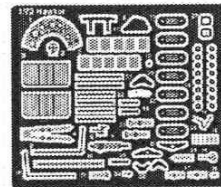
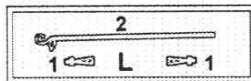
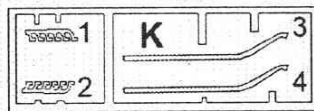
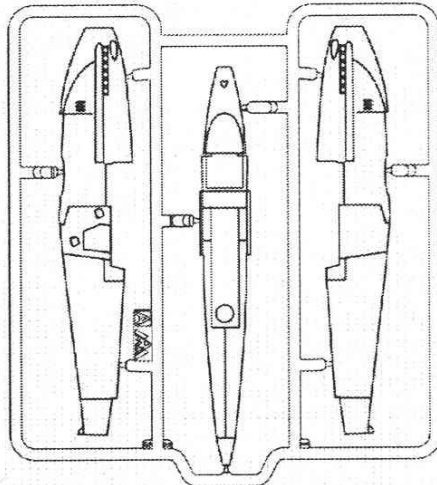
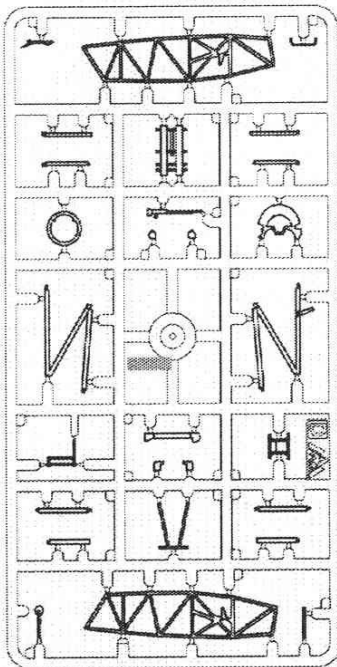
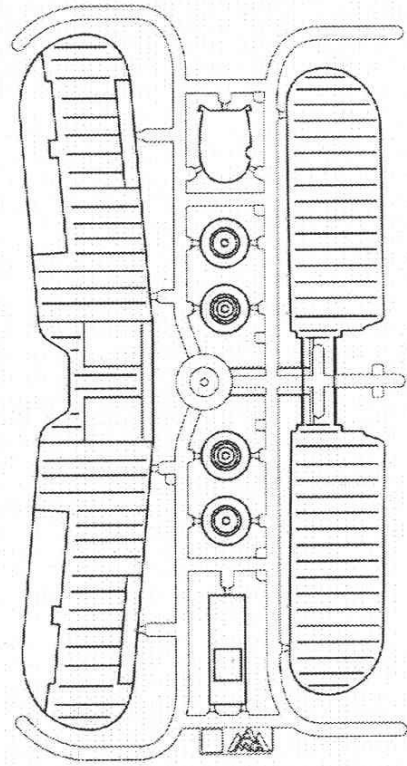
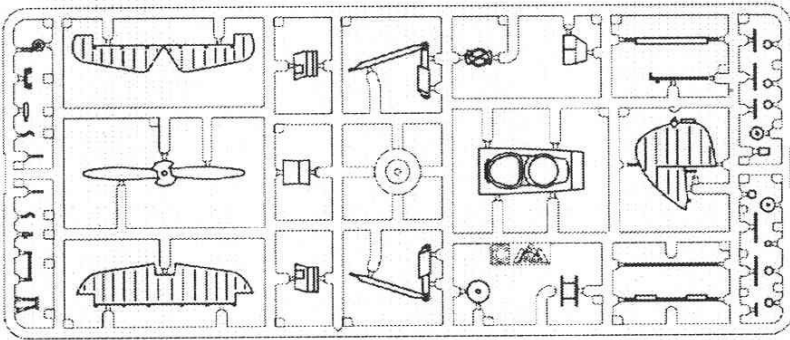
The Hawker Audax was a british two-seat I.bomber aircraft of the RAF. It was designed during the 1920s by Sydney Camm and manufactured by Hawker Aircraft.

The RAF used the H.Hart in both its original IL. Bomber role and as armament deleted. In addition, the Hart was used in a number roles, with variants for communication, operation in India and tropical regions.

The Hart was an outstanding design, which gave rise to many variants. Developments included the Demon, Audax, Osprey, Hind, Hardy, Hartbees, Hector, Fury and Nimrod. Beyond Britain, the Hart would be operated by a number of foreign nations, including Afganistan, Canada, Egypt, Estonia, Persia, S.Africa...

Total production of H.Hart - 1004 aircraft.

The company AMG thanks Mr. John Adams (Aeroclub company) for his great help in preparing the release of this model.



THE CONDITIONAL DENOTATION

УСЛОВНЫЕ ОБОЗНАЧЕНИЯ



BE CAREFUL
ОСТОРОЖНО



DON'T CEMENT
НЕ КЛЕИТЬ



REMOVE
РЕЗАТЬ



SYMMETRICAL
СИММЕТРИЧНО



MAKE TWO
УДВОИТЬ



OPTIONAL
НЕОБЯЗАТЕЛЬНО



BEND
СОГНУТЬ



OPEN WHOLE
СВЕРЛИТЬ

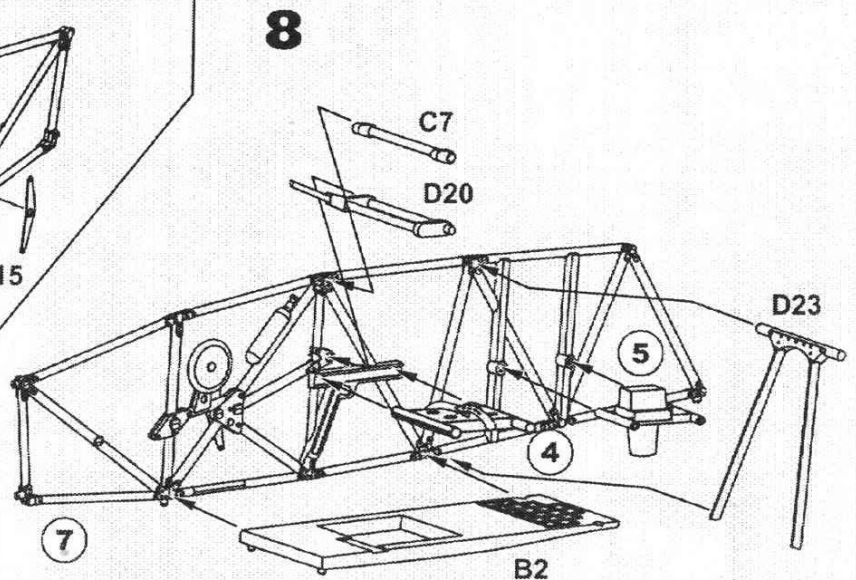
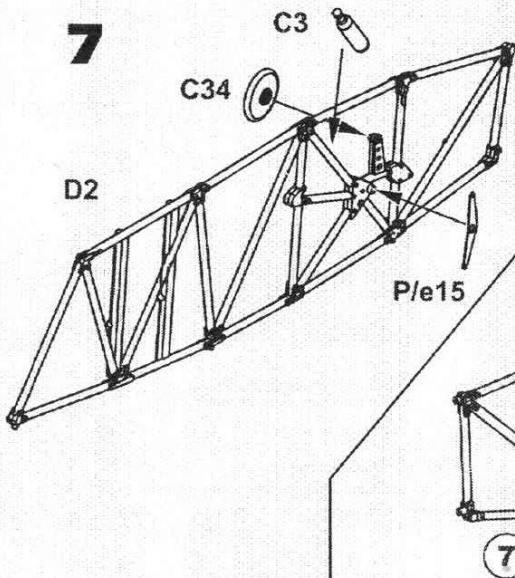
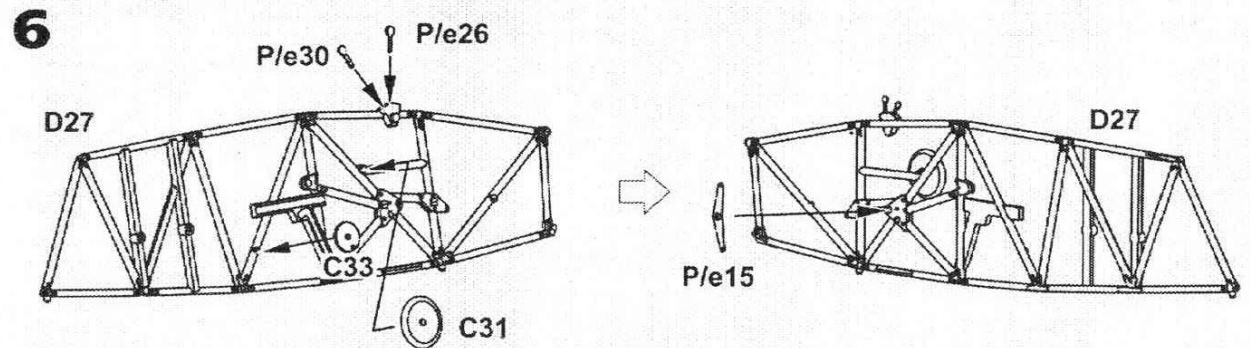
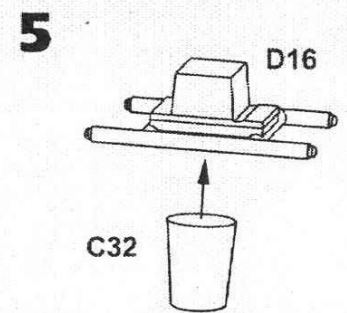
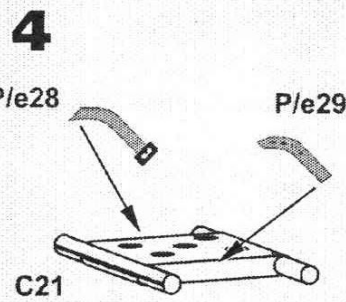
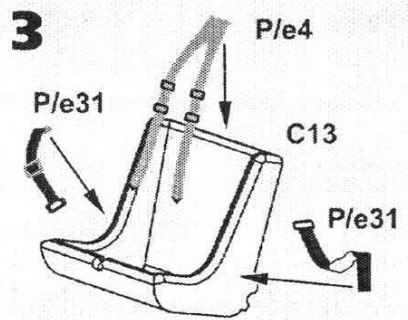
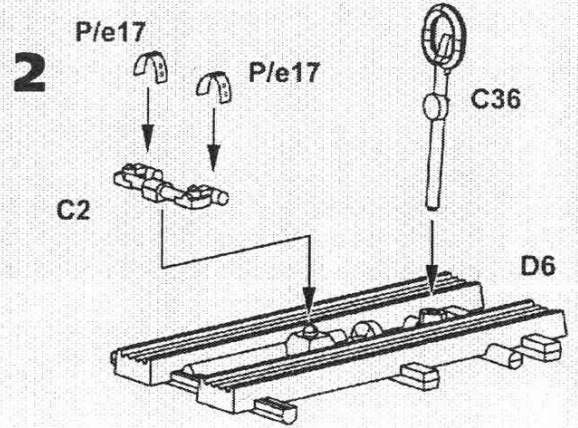
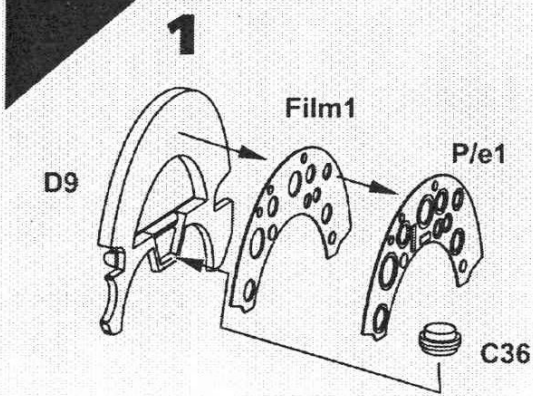


CEMENT
КЛЕИТЬ

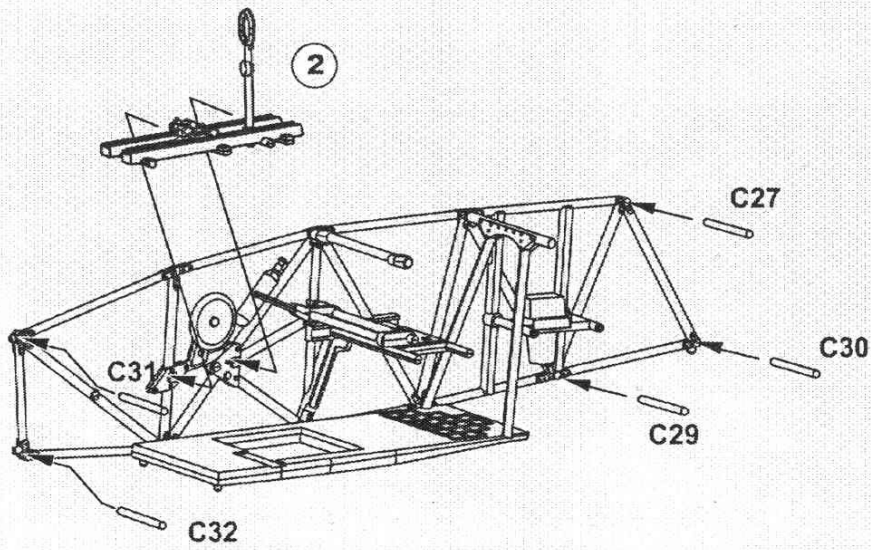


VARIANTS
ВЫБОР ВАРИАНТА

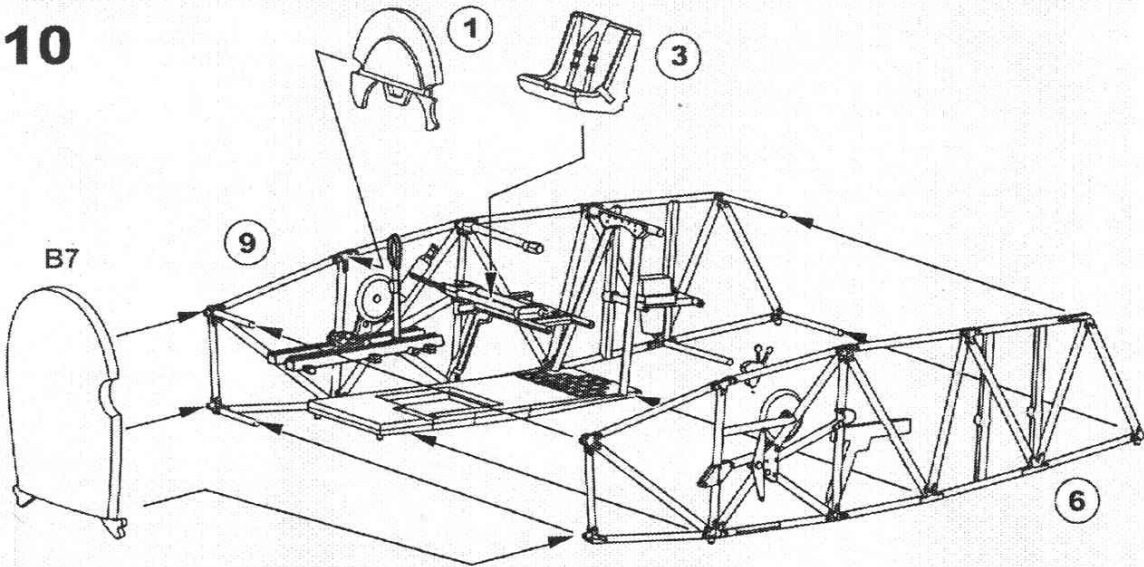
ASSEMBLY MANUAL



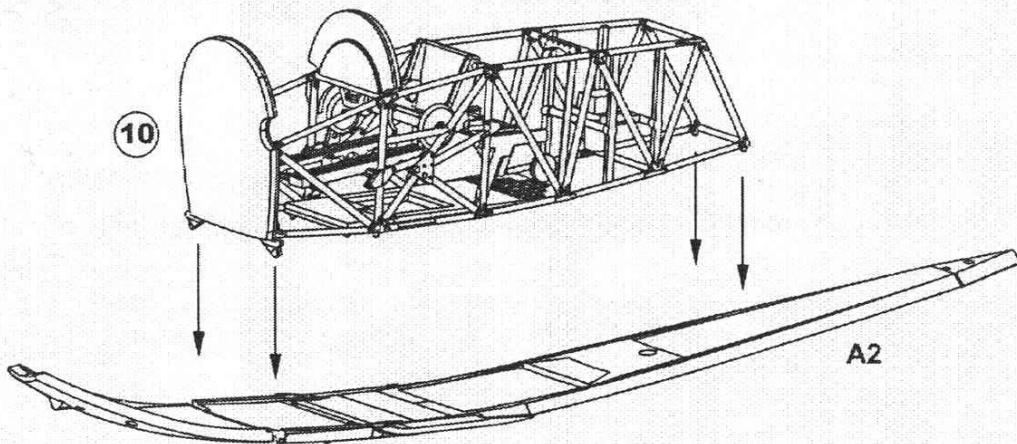
9



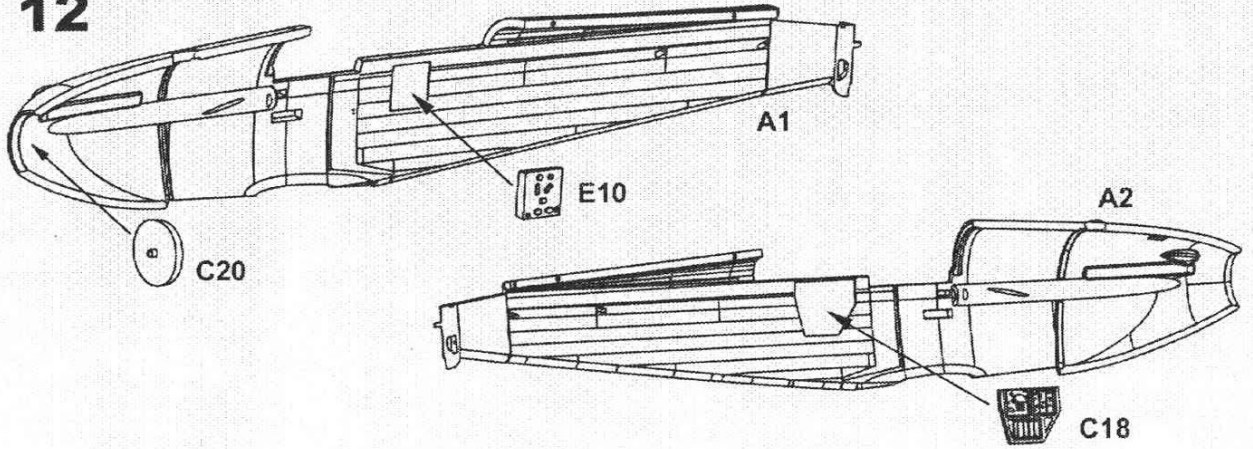
10



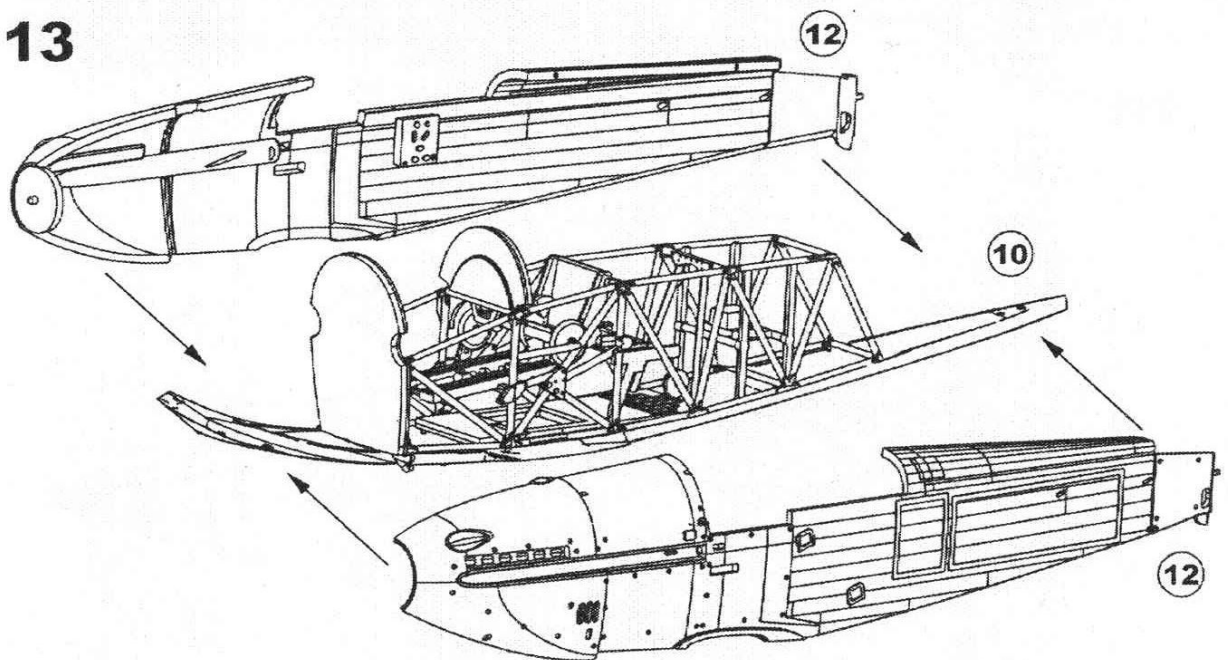
11



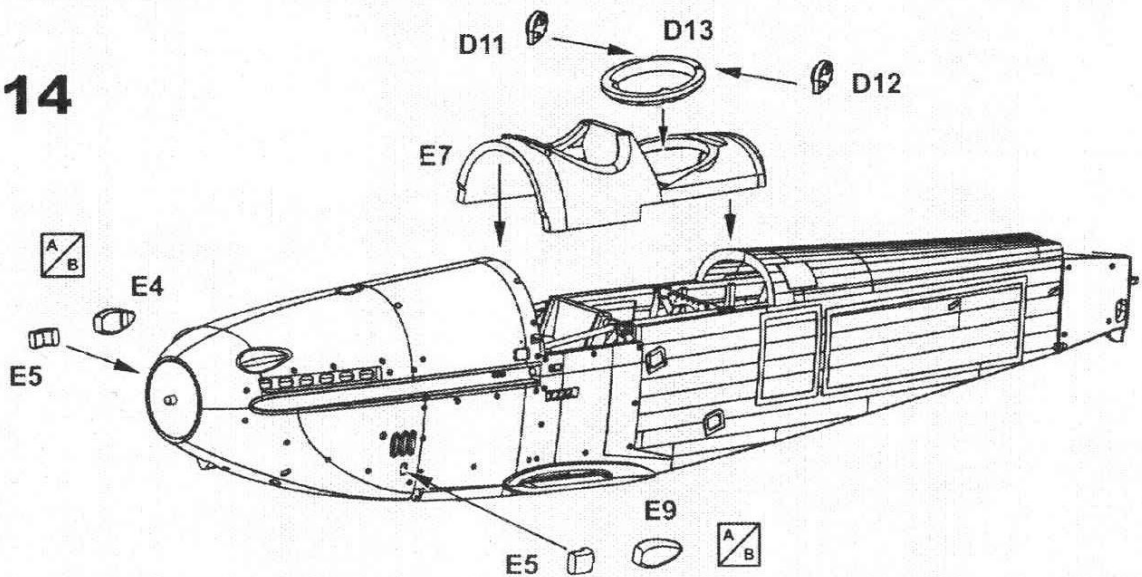
12



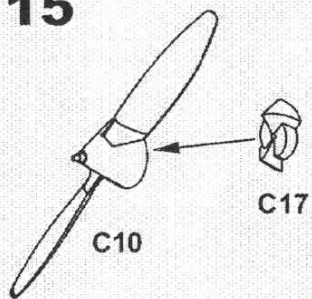
13



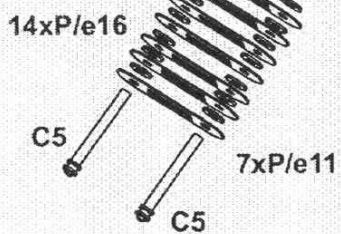
14



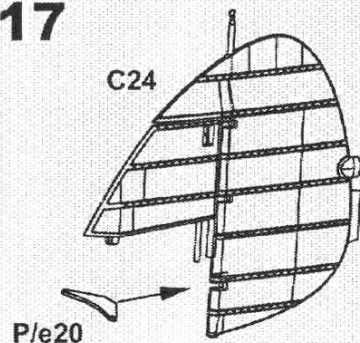
15



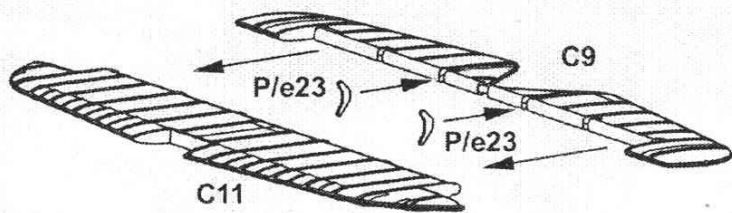
16



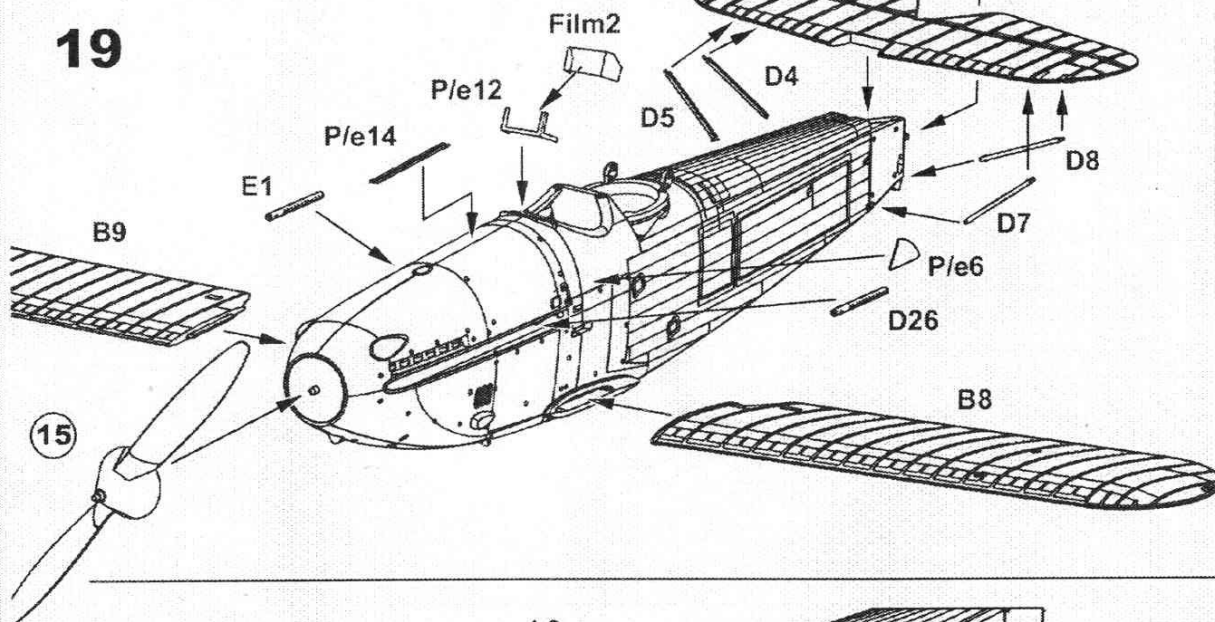
17



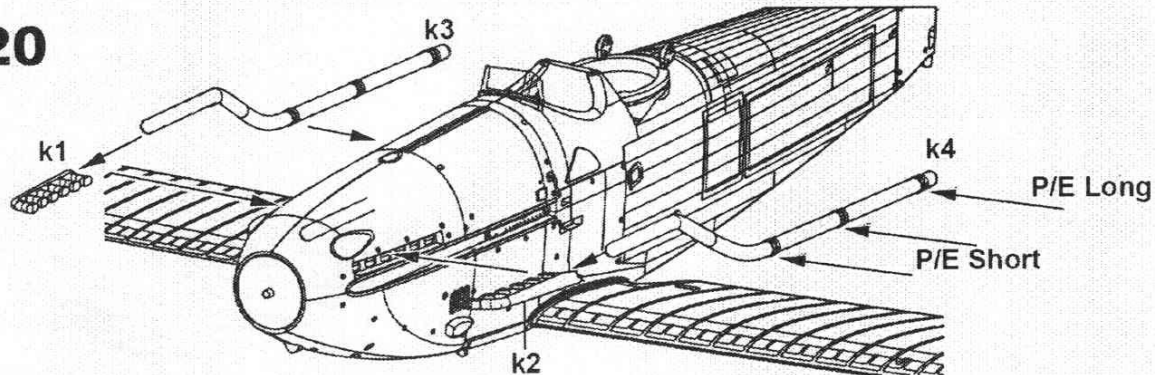
18



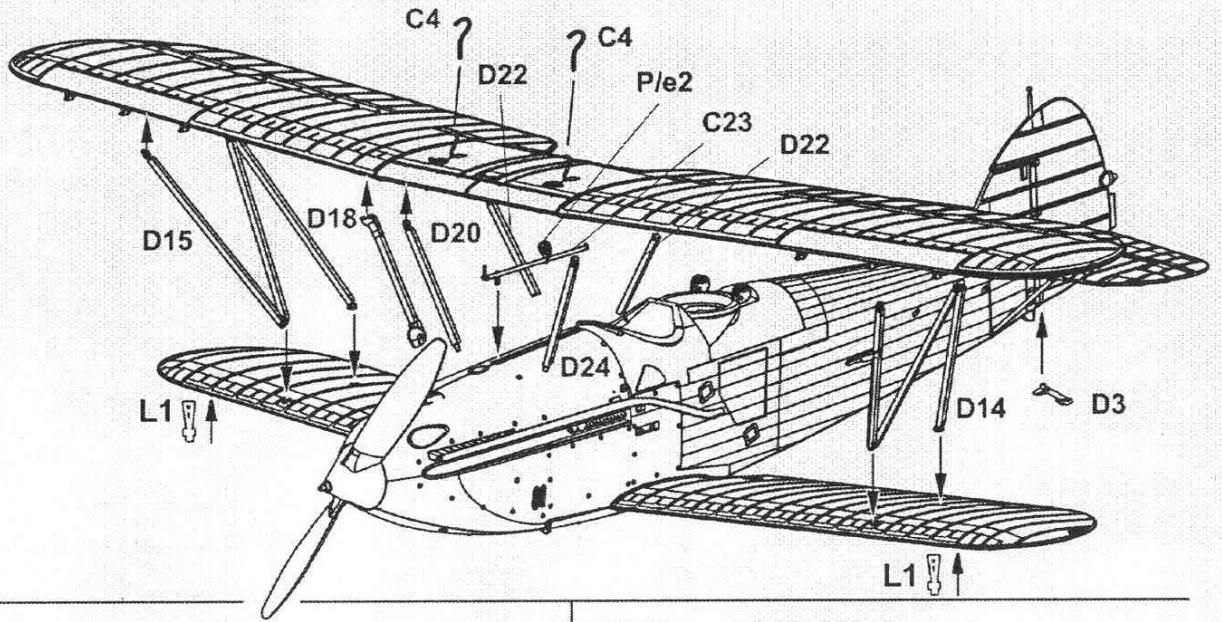
19



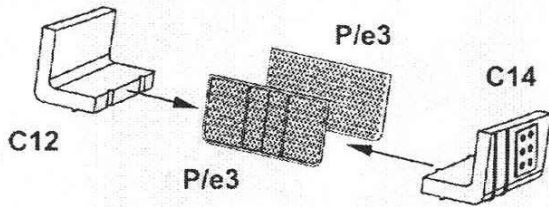
20



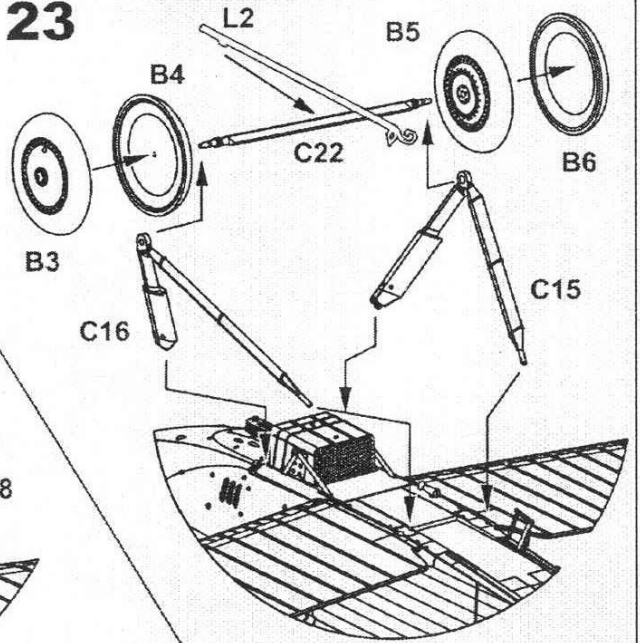
20



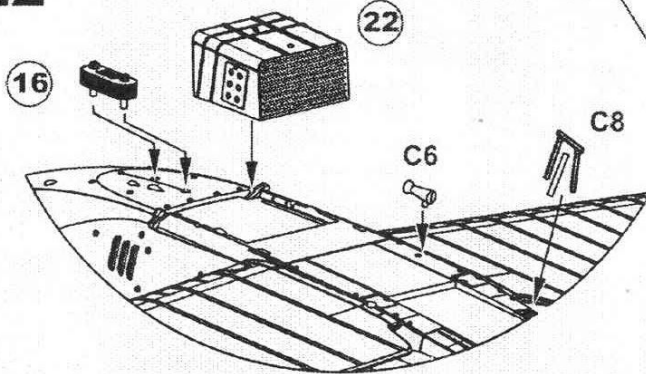
21



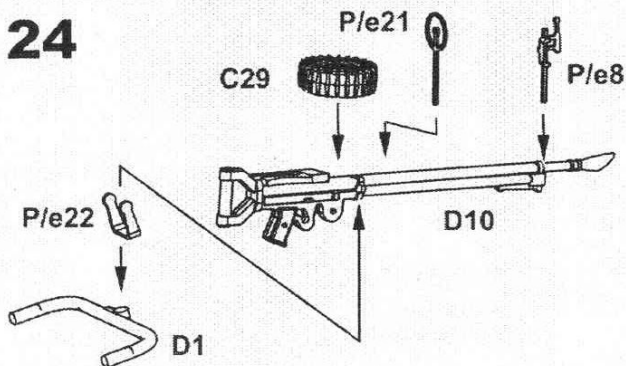
23



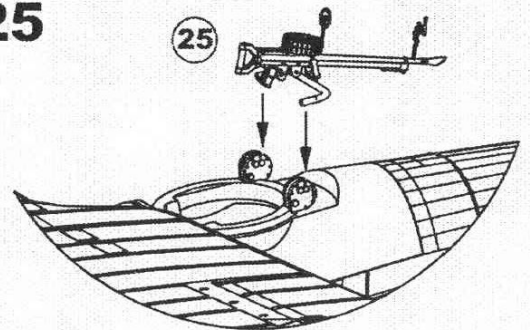
22



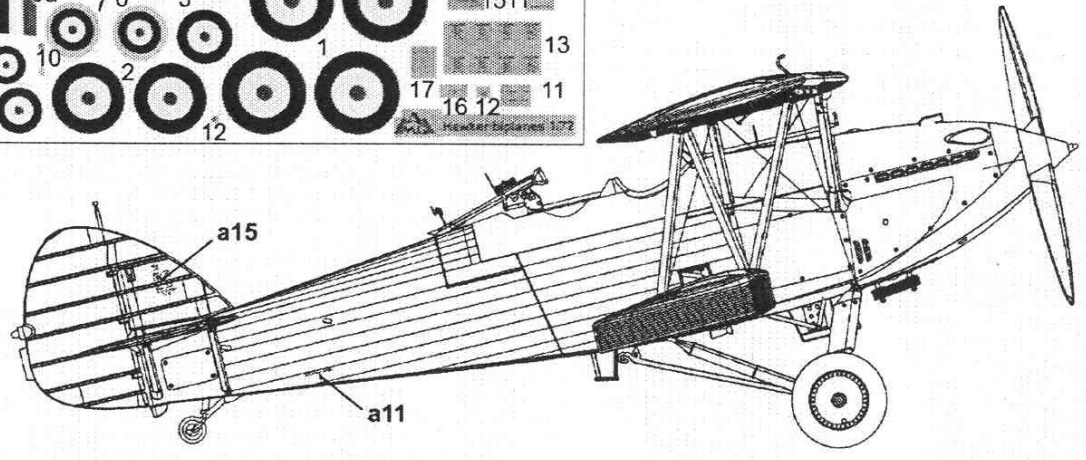
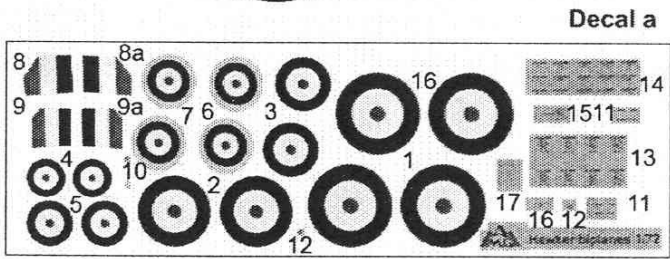
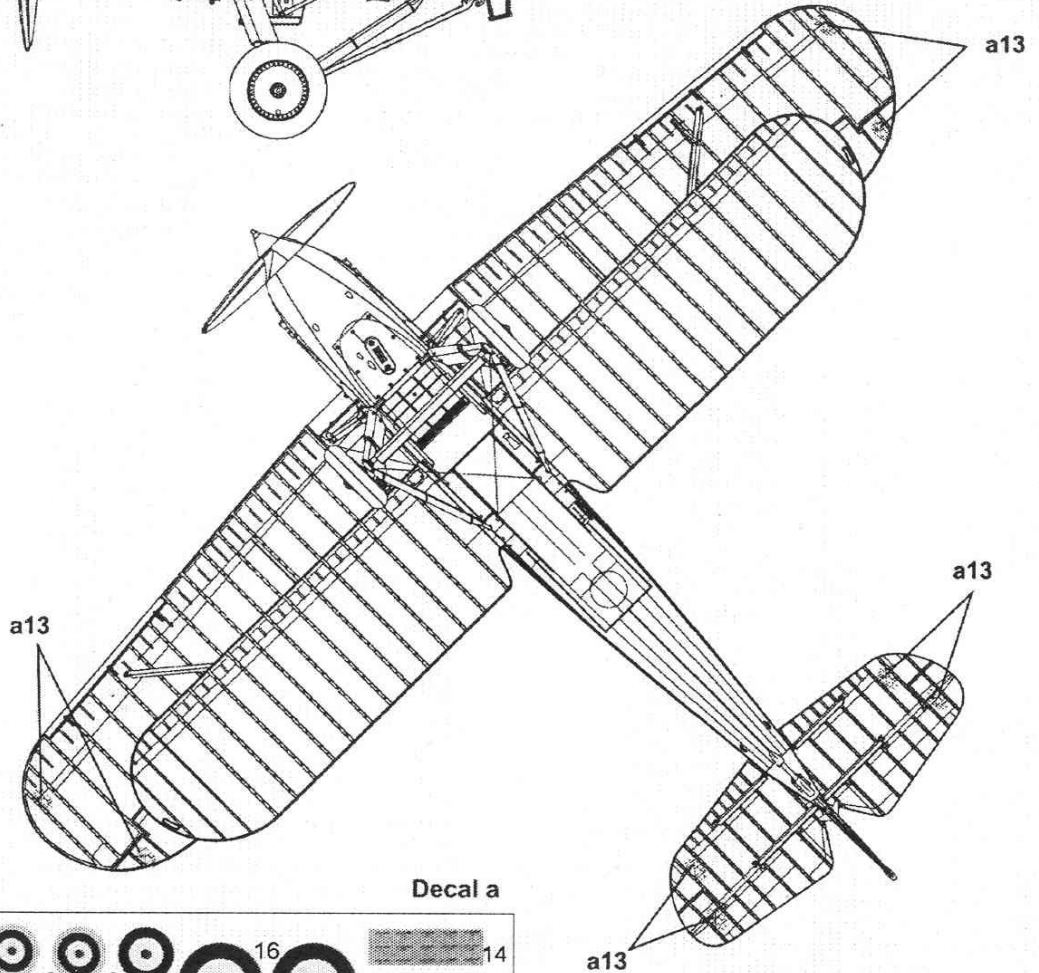
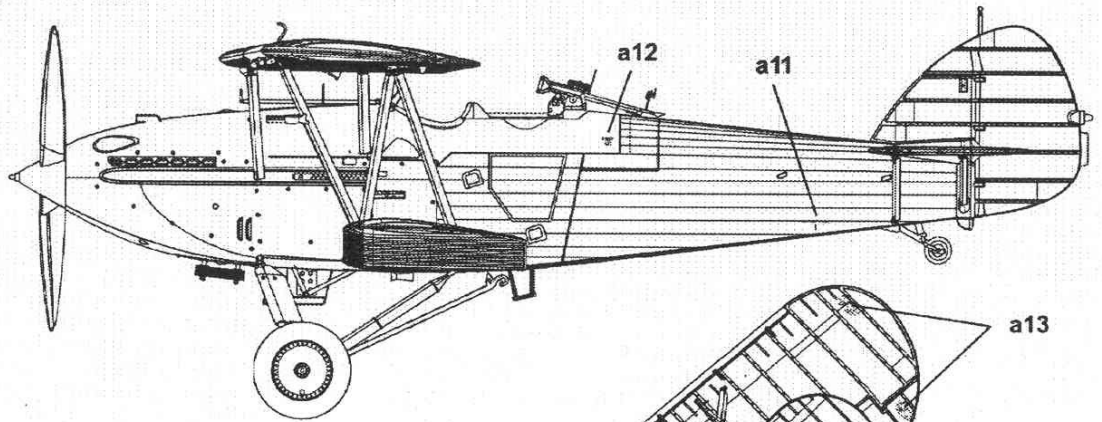
24



25

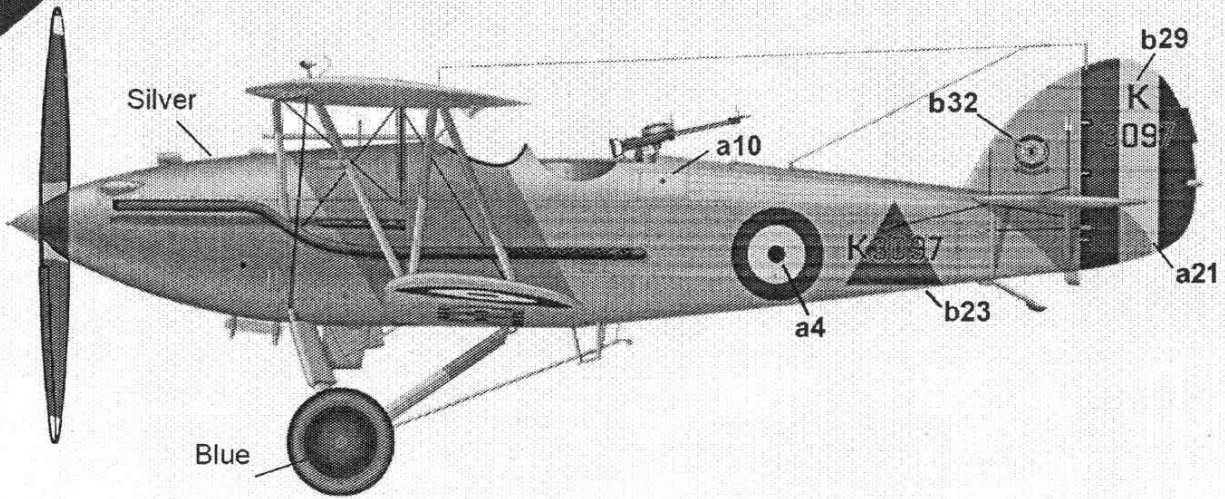


TECHNICAL STENCIL

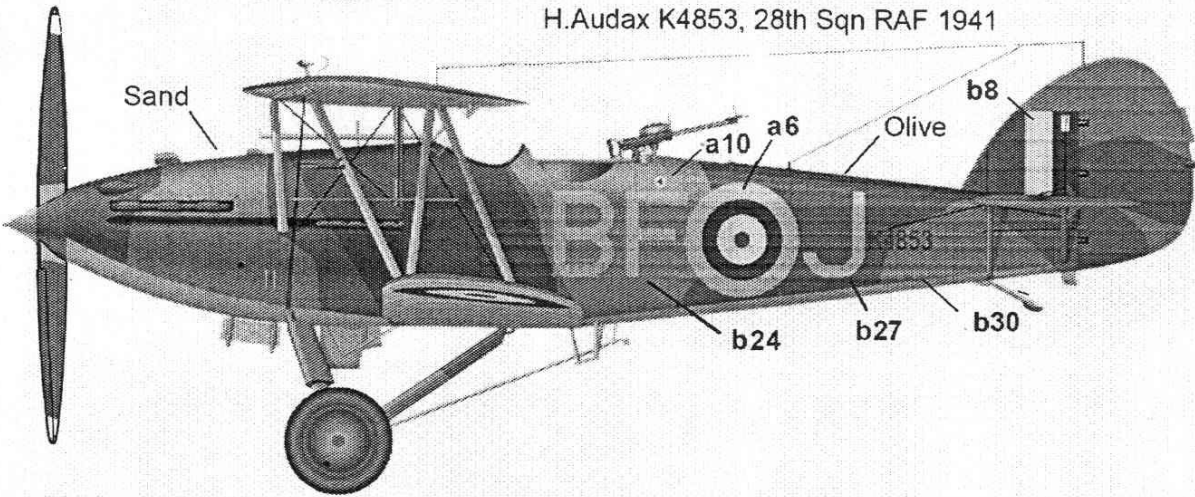


PAINT MANUAL

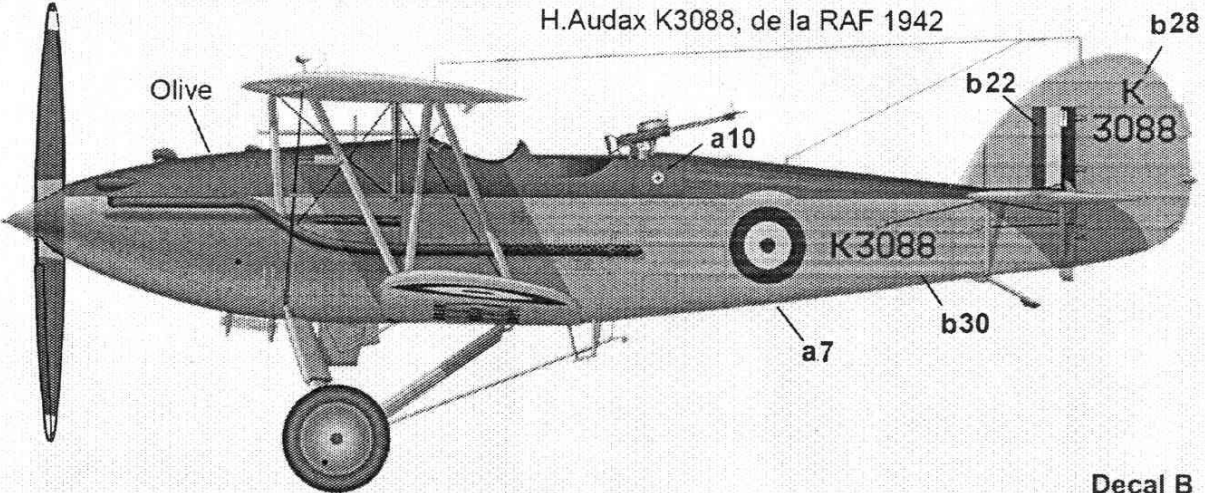
H.Audax K3097, 2th Sqn RAF 1935



H.Audax K4853, 28th Sqn RAF 1941



H.Audax K3088, de la RAF 1942



Decal B

