

ITEM NO.02506

1:25 Scale 美国消防车

AMERICAN LaFRANCE Eagle[®] Fire pumper

READ BEFORE ASSEMBLY:

- This kit is not recommended for inexperienced modelers or for children under 14 years of age
- Study and understand these instructions thoroughly before beginning assembly
- When needed, remove photo-etch parts carefully using a modeling knife or photo etch sprue cutter, being careful not to damage or lose small parts.
- Take extra care in handling photo etch parts in order to avoid injury
- Apply instant cement sparingly to photo etch parts where instructed

- Tools recommended(not included in kit):Plastic and instant cements,sprue cutters,long nose pliers,,modeling knife, small files, tweezers, pin vise & scissors. Soft cloth and sandpaper will also assist in construction
- Glue and paint are not included in the kit. Use plastic cement and hobby paints only. Color guide for purchasing paint is included in the kit.
- Keep out of reach of small children. They must not be allowed to ingest small parts or handle plastic bags in any way.

装配之前仔细阅读

- 小心用模型锉刀锉平所有零件表面的注射浇口。
- 小心用刀片切下蚀刻片零件，不要遗失小零件。
- 用强力快干胶水粘合蚀刻片零件和金属轴。过量的快干胶水使用可能导致可动零件会粘住，小心涂胶。
- 取蚀刻片时应特别注意安全，防止利边划伤手指。
- 某些零件表面需贴上水贴纸，请选择在装配的同时进行。
- 推荐模型工具(自备)：胶水，水口剪刀，长咀钳，刀片，锉刀，镊子钳，钻，剪刀，瞬间快干胶。
- 软布同砂纸同时也应该是必备工具。
- 请使用塑料胶水和油漆，模型内不含。
- 谨防小孩吸吮塑料零件，或者将塑料袋套在头上，制作时应将套材远离小孩接触。
- 本产品不适合14岁以下没有经验的模型爱好者

水贴纸的使用:

1. 从水贴纸上剪下印花;
2. 将印花放入温水中浸10秒, 然后放在干净布上。
3. 拿着印花纸板将印花移到模型上;
4. 手指蘸水将印花移到适当的位置;
5. 用软布轻压印花直至水干, 气泡消失。

DECAL APPLICATION:

1. Cut decals from sheet as needed
2. Dip the decal in warm water for about 10 seconds and then place on soft clean cloth.
3. Hold the decal backing sheet edge and gently slide the decal onto the model in its proper position.

4. While still wet,decal can be adjusted for better fit on model by dampening it gently with your finger.
5. When placed in the proper position,gently press decal down with a soft cloth until excess water and air bubbles are gone.
6. Allow decal to dry completely before handling model



cyanoacrylate glue
使用强力胶



weight
配重



make hole
钻孔



cut / remove
切除



option
选择



no cement
不涂胶水



decal
贴纸

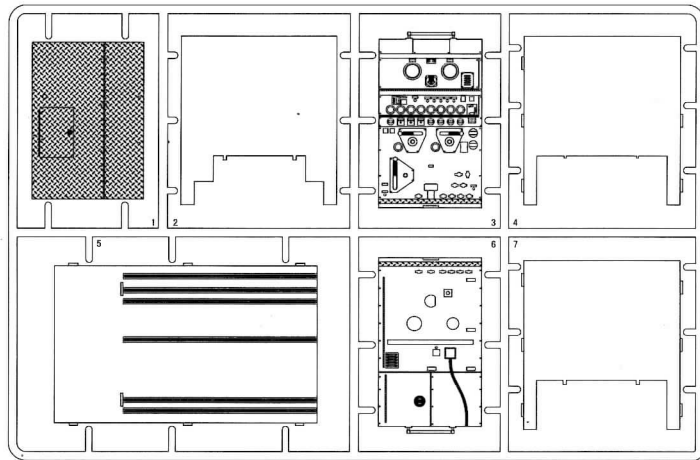


bend
弯曲

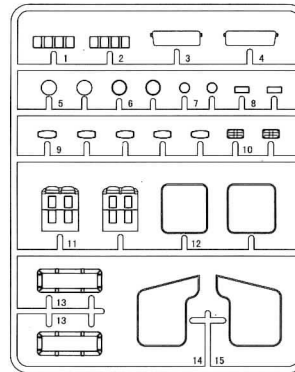


file / sand
锉平

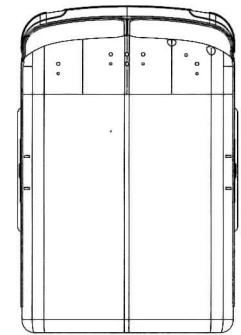
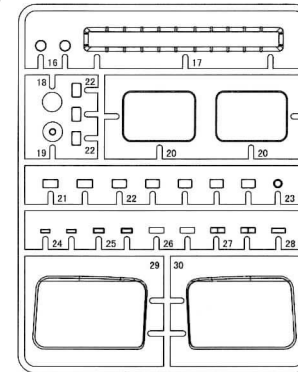
E



K1



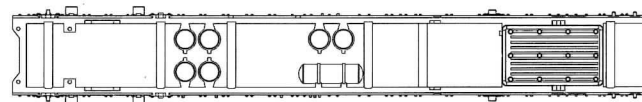
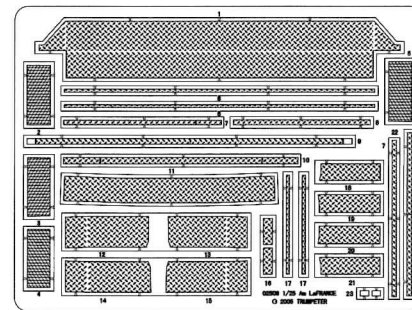
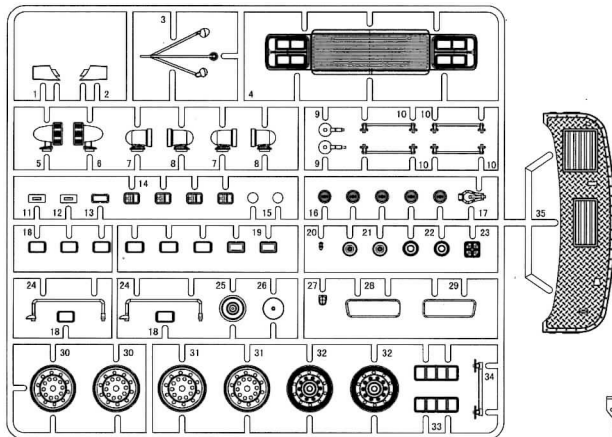
K2



车头
Cab

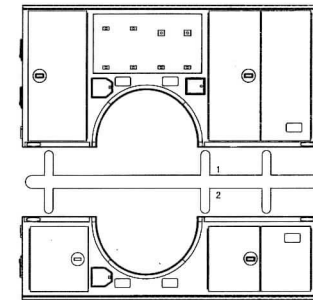
蚀刻片
Photo etched parts(PE)

D Chrome parts (镀铬件)



车架
Frame

F



轮胎 × 4
Type × 4



轮胎 × 2
Type × 2



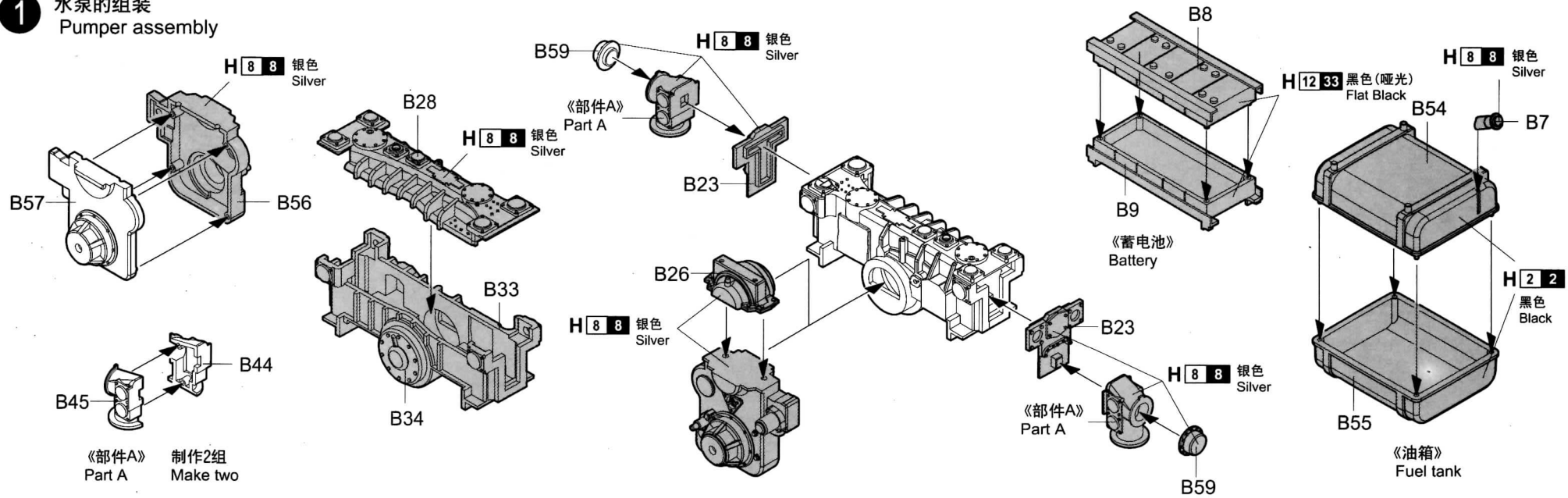
垫圈 × 6
EVA × 6



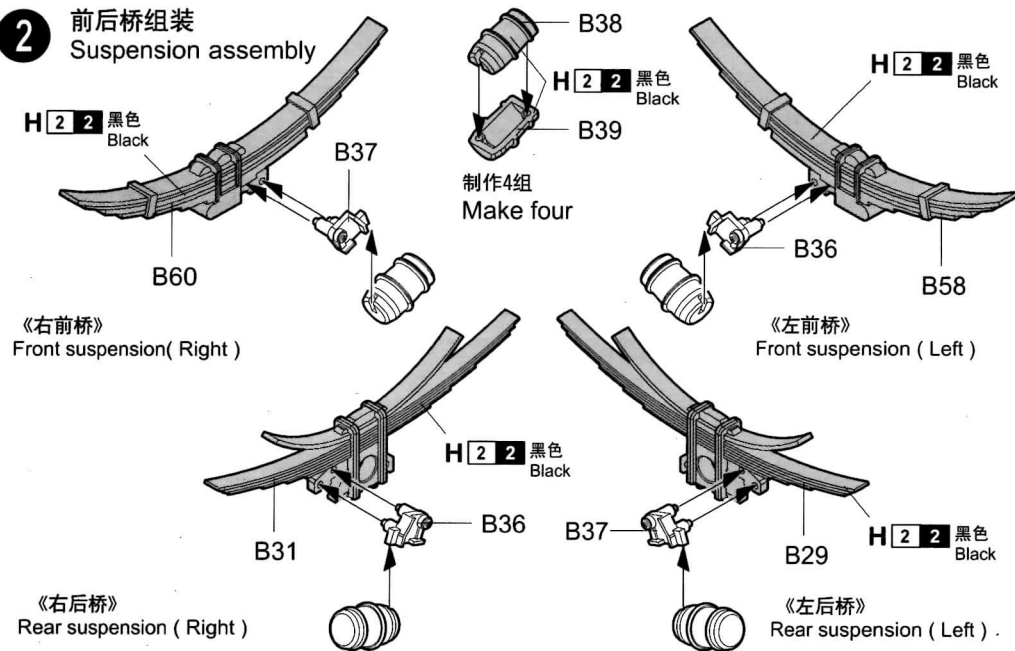
PE × 6

胶管 $\varnothing 5.0 \times 20.0\text{mm}$
Pipe $\varnothing 5.0 \times 20.0\text{mm}$

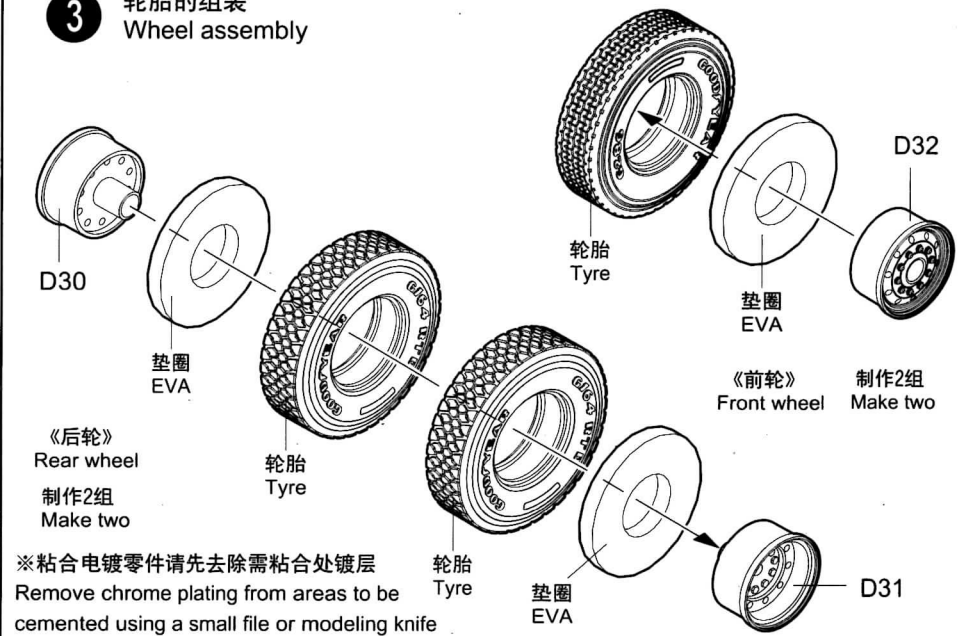
1 水泵的组装 Pumper assembly



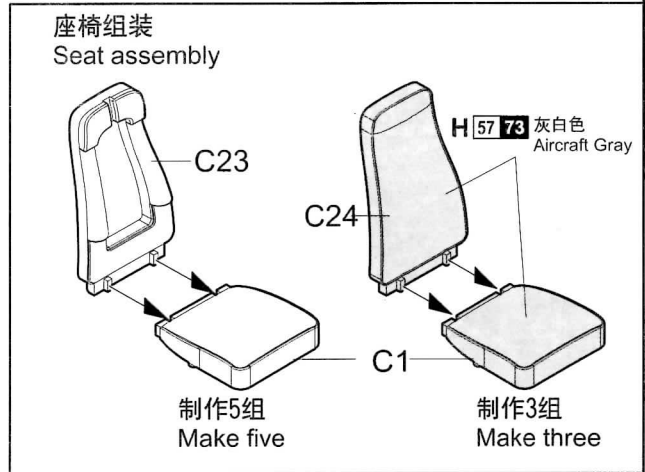
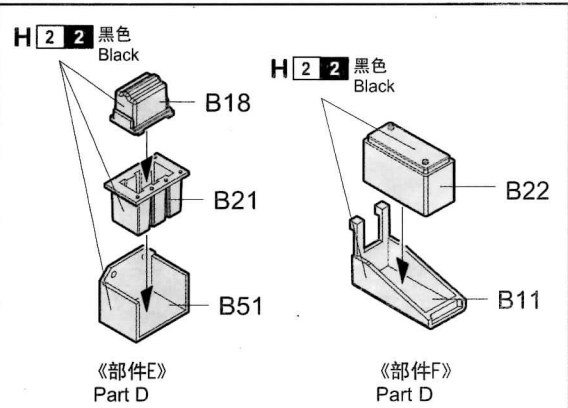
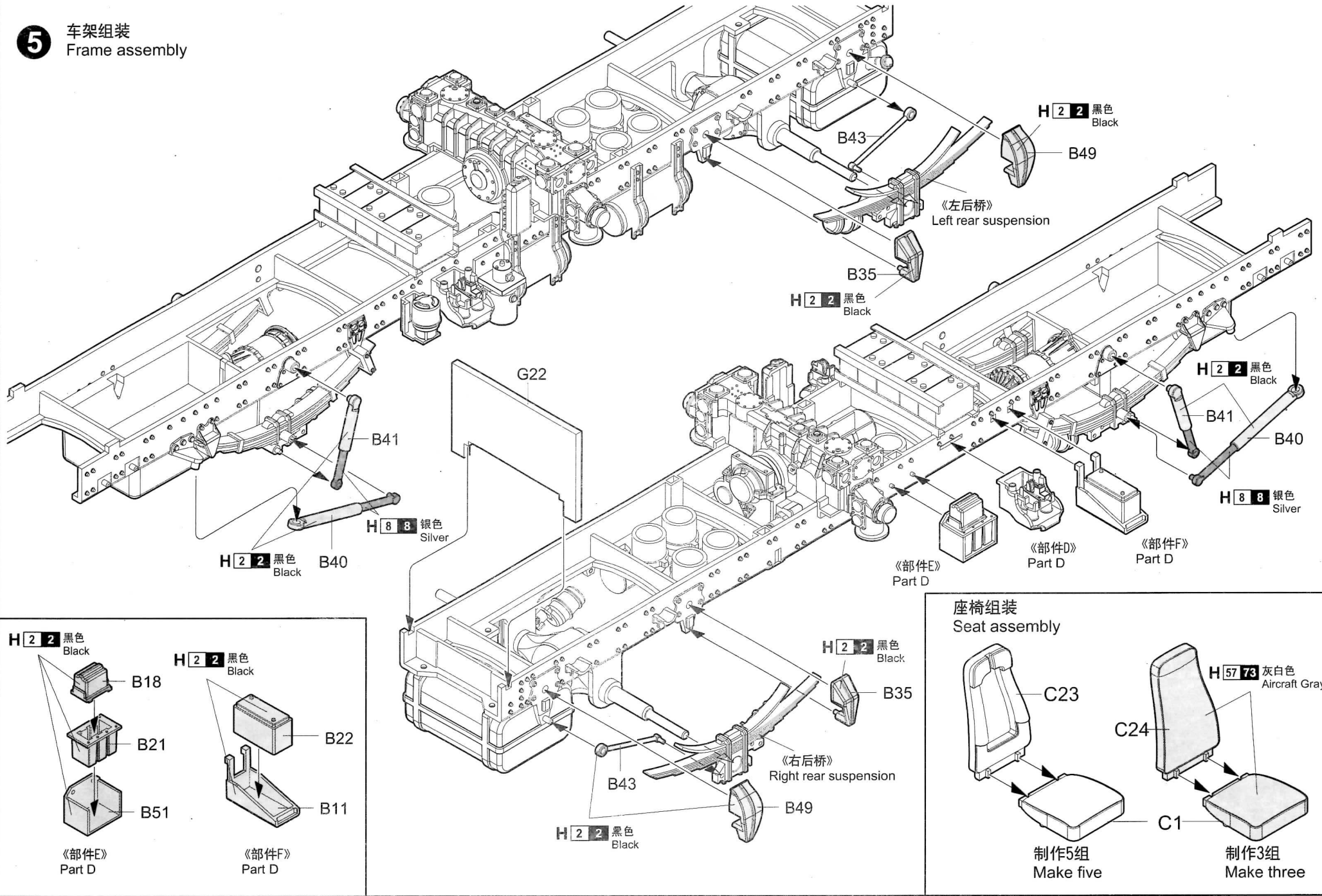
2 前后桥组装 Suspension assembly



3 轮胎的组装 Wheel assembly

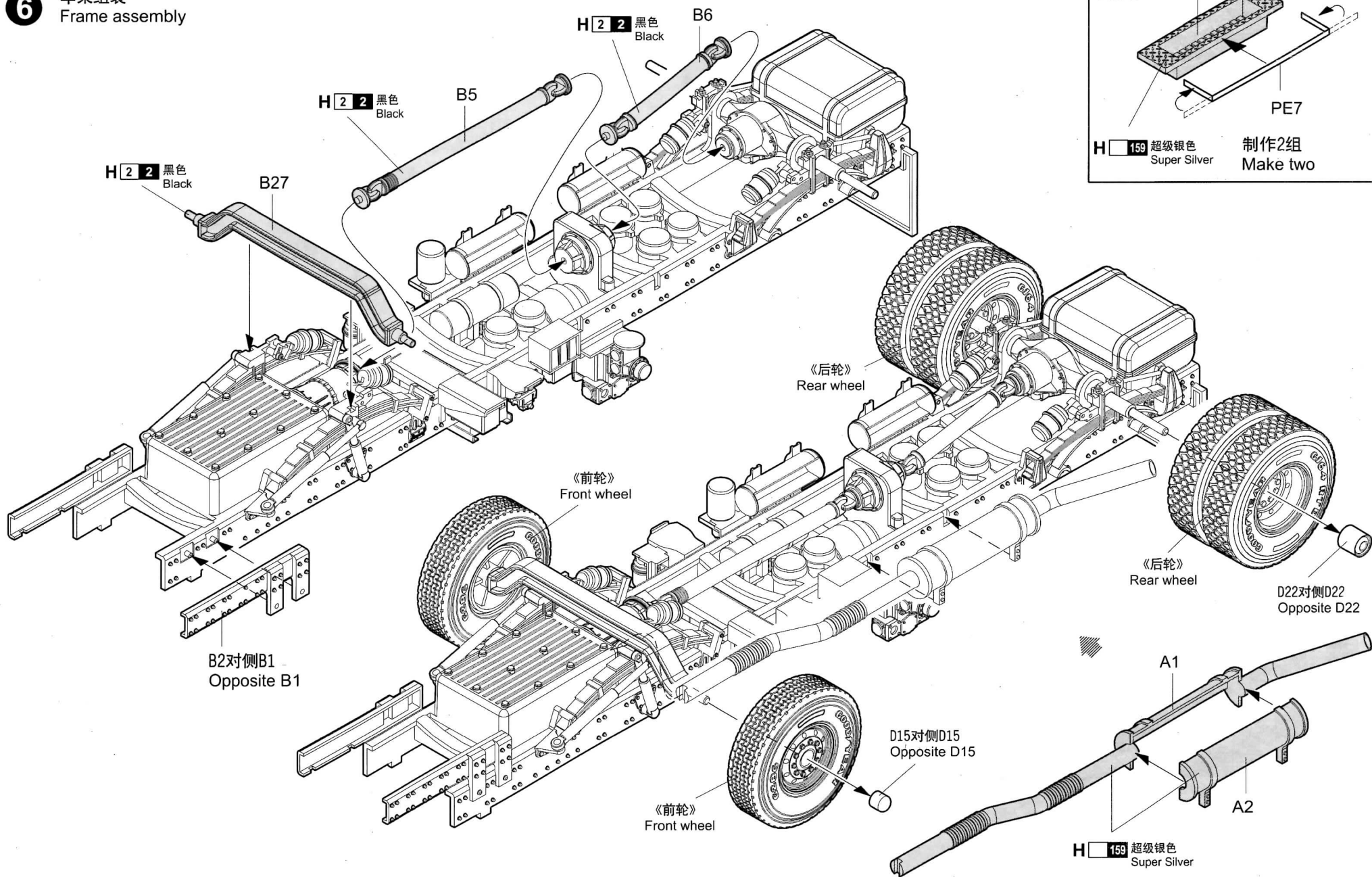


5 车架组装
Frame assembly

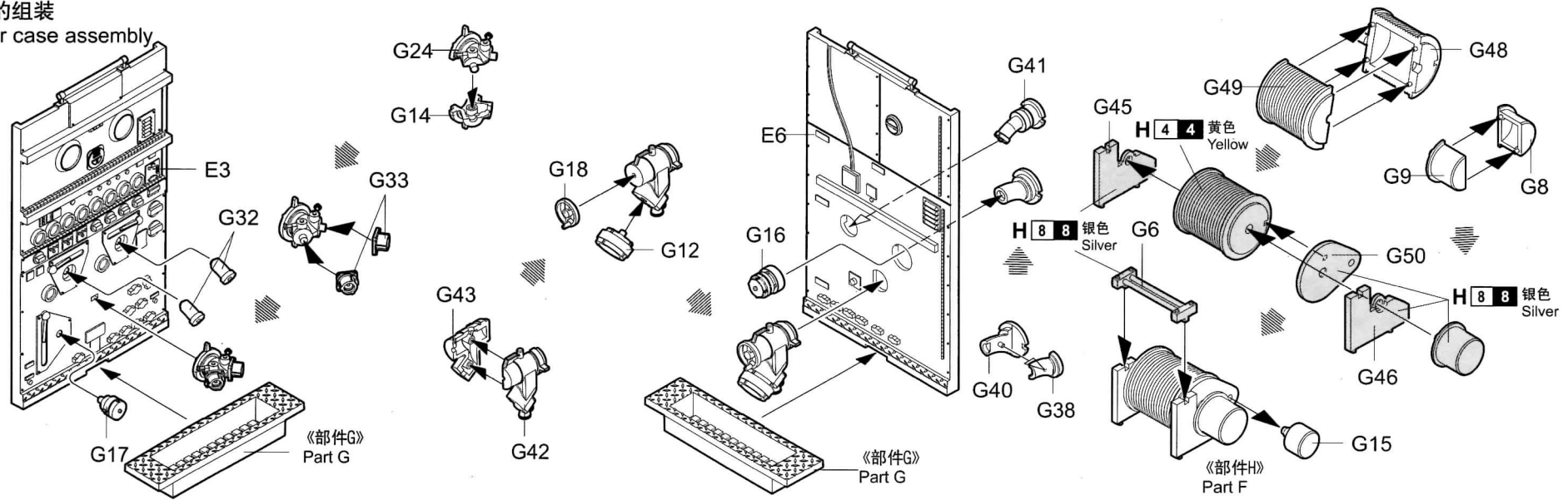


6

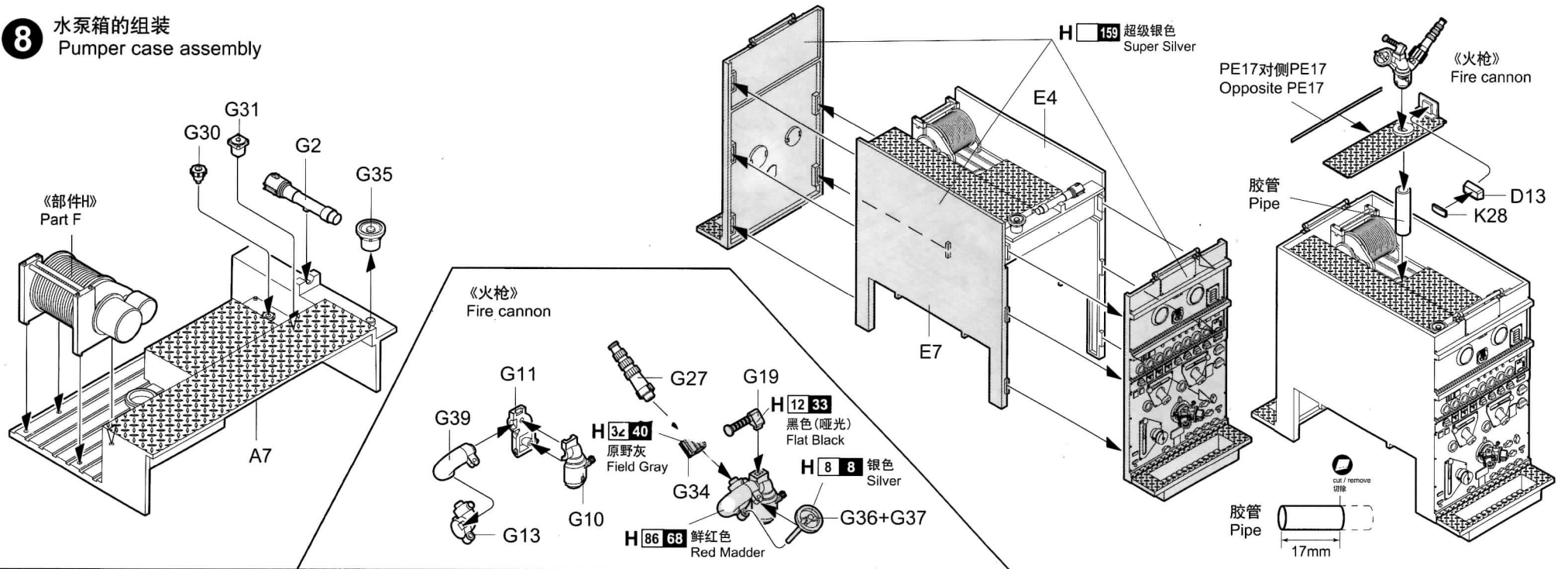
车架组装
Frame assembly



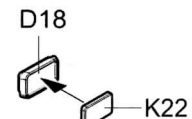
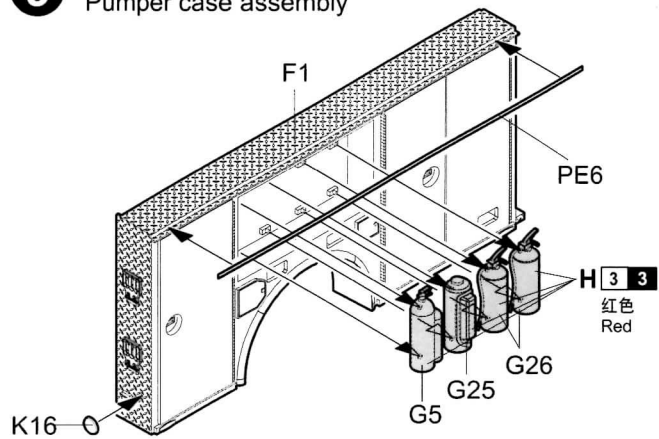
7 水泵箱的组装
Pumper case assembly



8 水泵箱的组装
Pumper case assembly

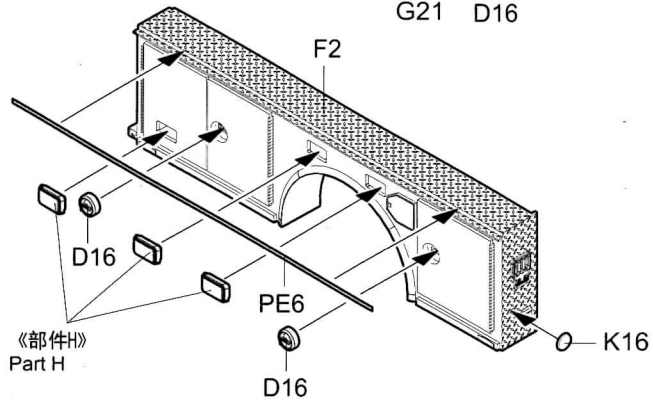
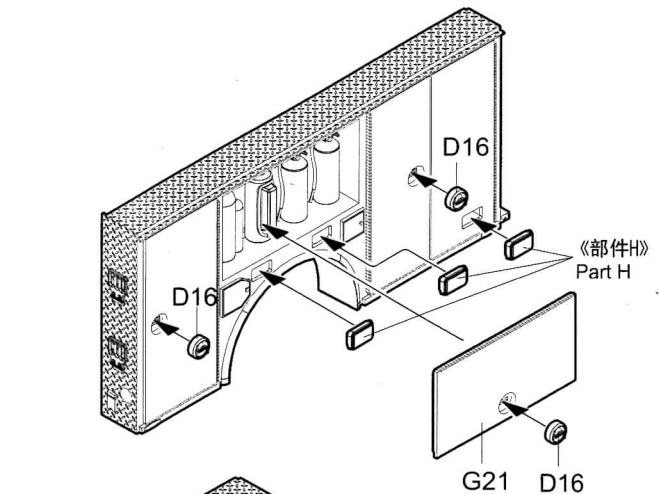
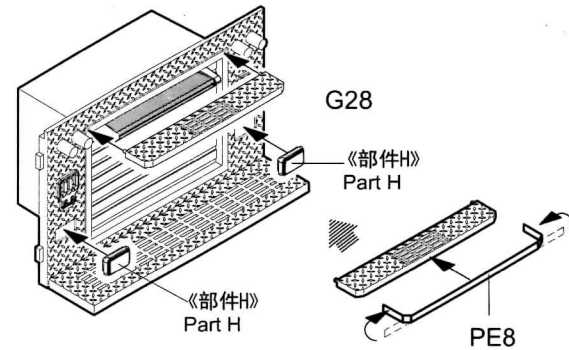
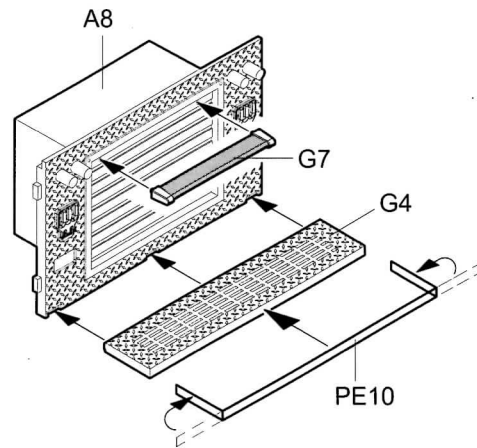


9 水泵箱的组装
Pumper case assembly

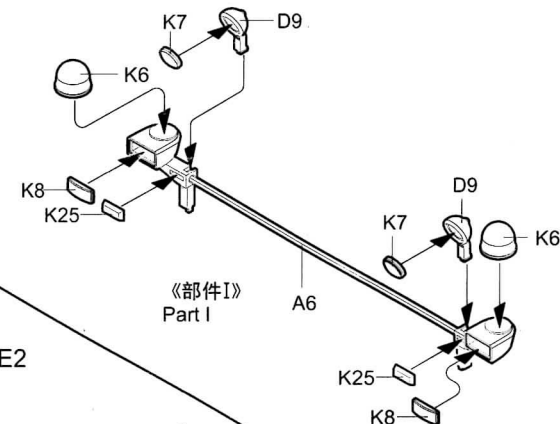
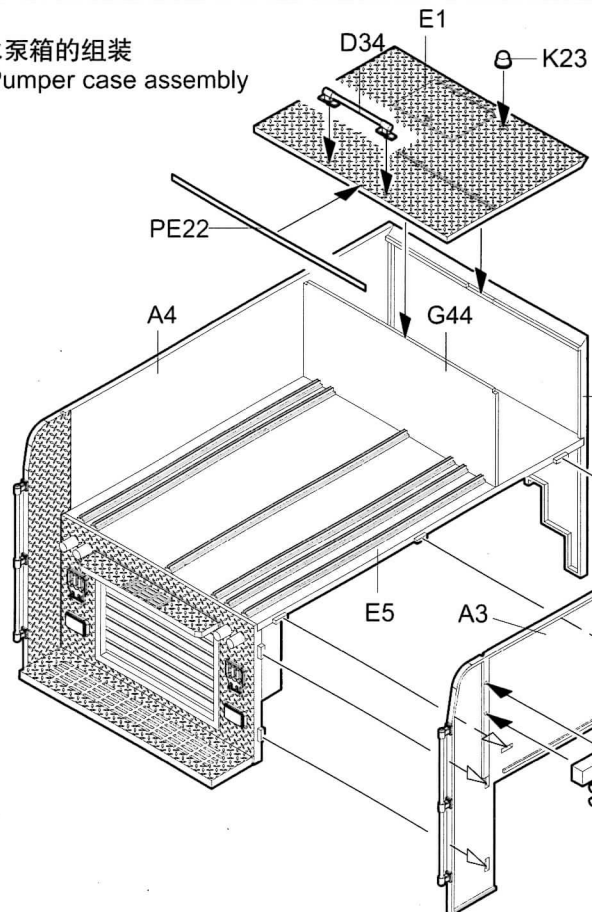


制作8组
Make eight

《部件H》
Part H



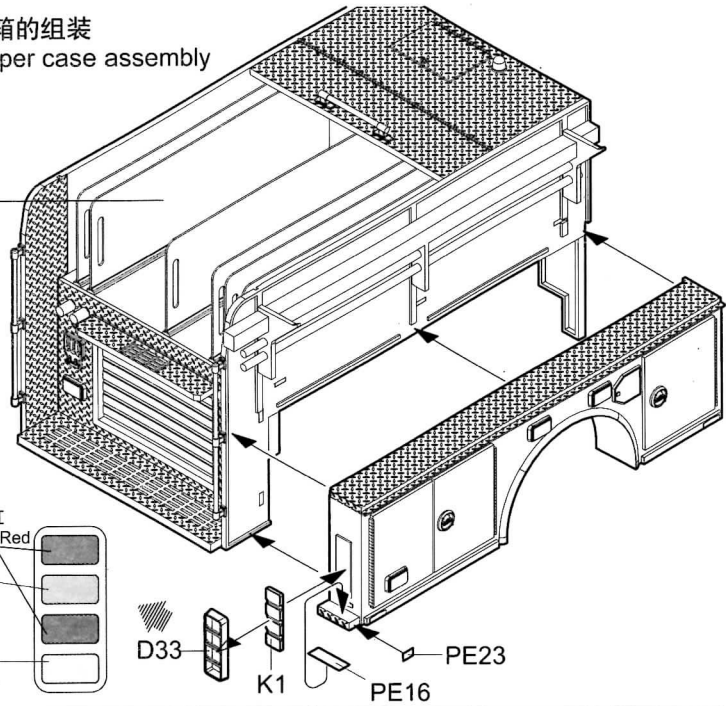
10 水泵箱的组装
Pumper case assembly



11 水泵箱的组装
Pumper case assembly

PE 6Pcs

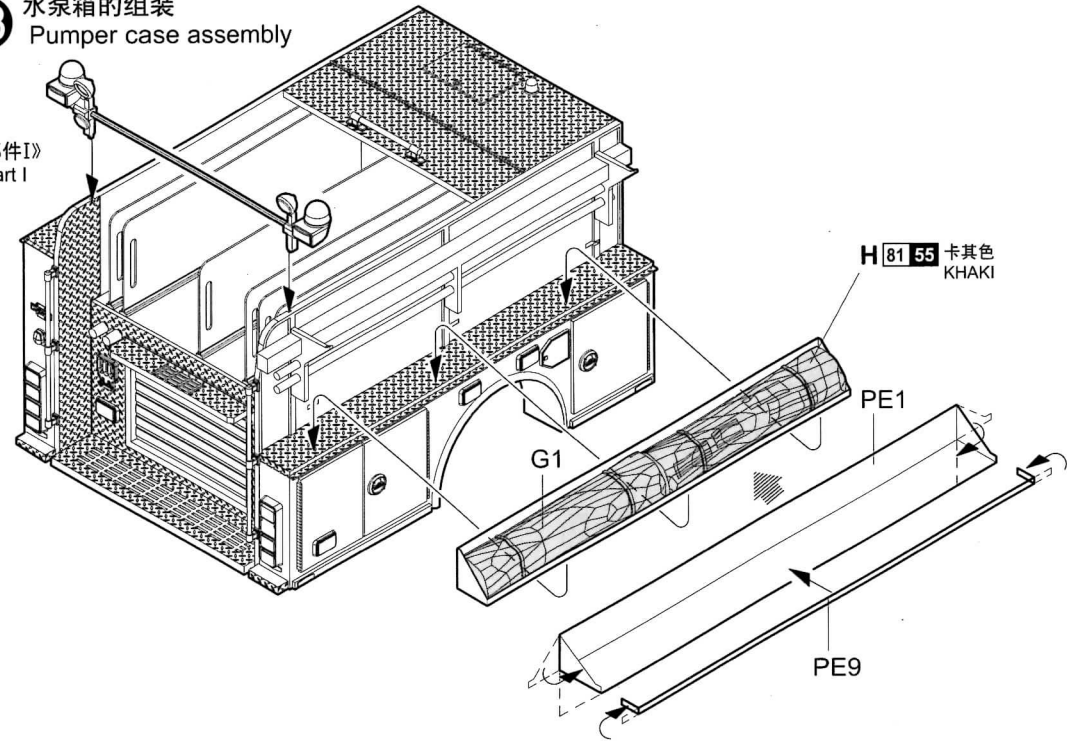
- H 90 47 透明红
Clear Red
- H 92 49 透明桔
Clear Orange
- H 8 8 银色
Silver



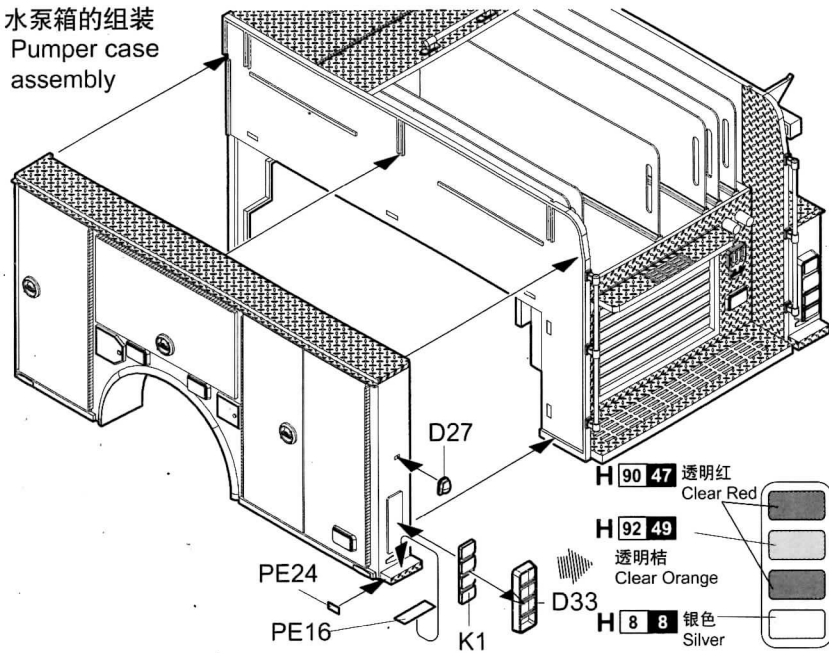
13 水泵箱的组装
Pumper case assembly

《部件I》
Part I

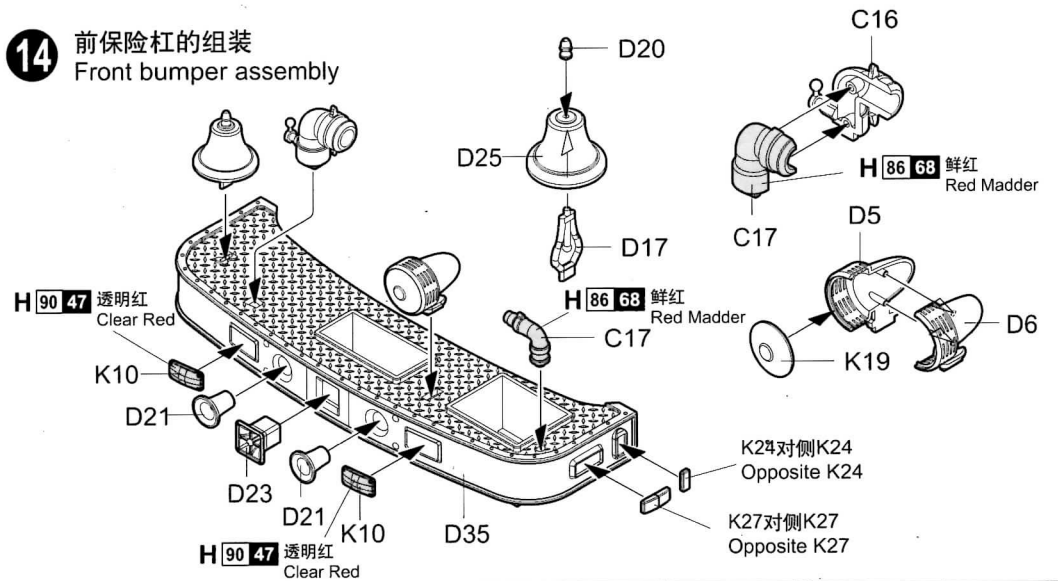
H 81 55 卡其色
KHAKI



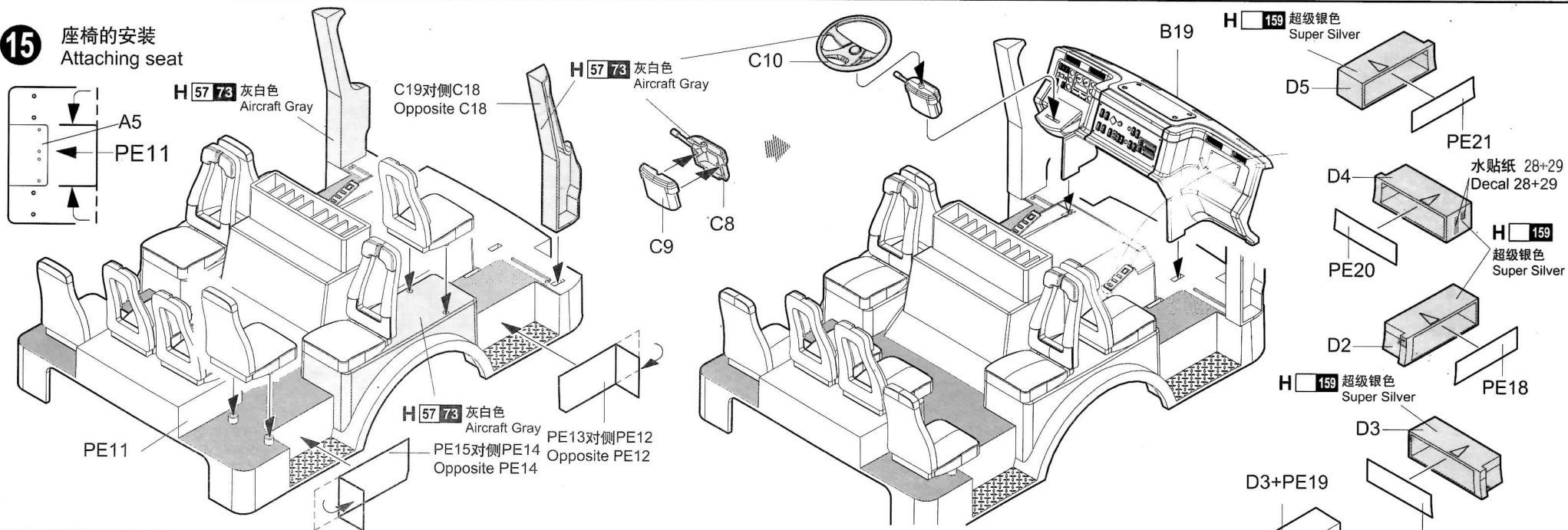
12 水泵箱的组装
Pumper case assembly



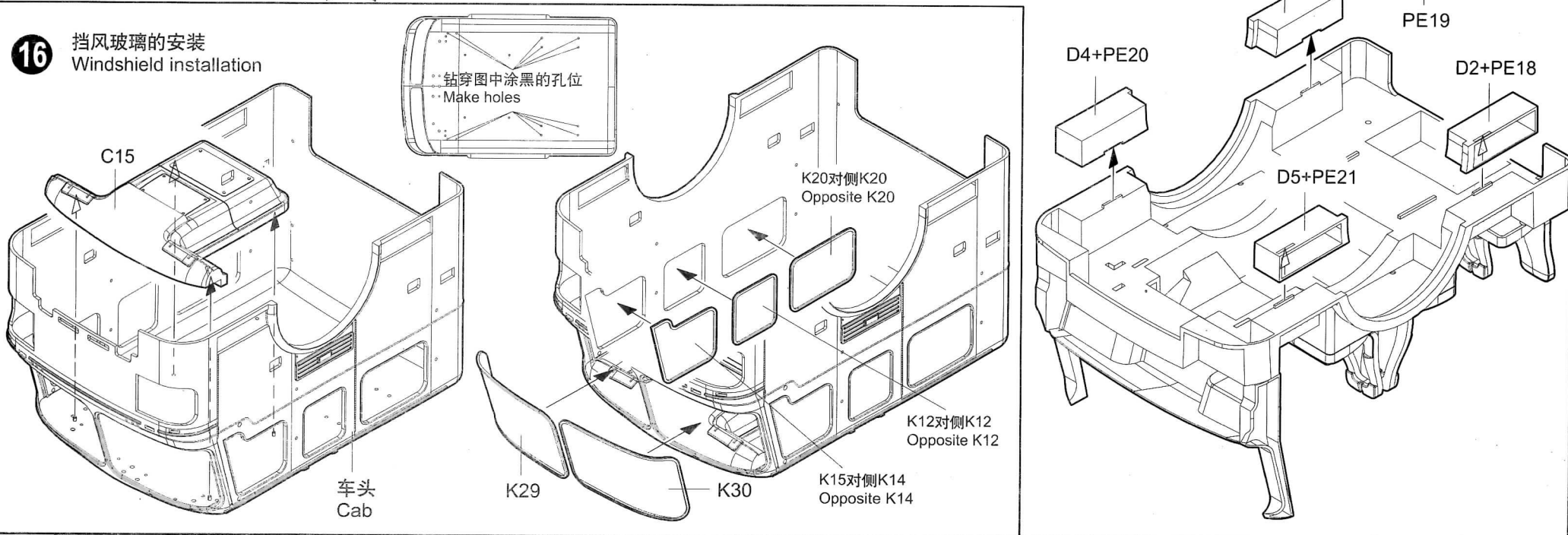
14 前保险杠的组装
Front bumper assembly



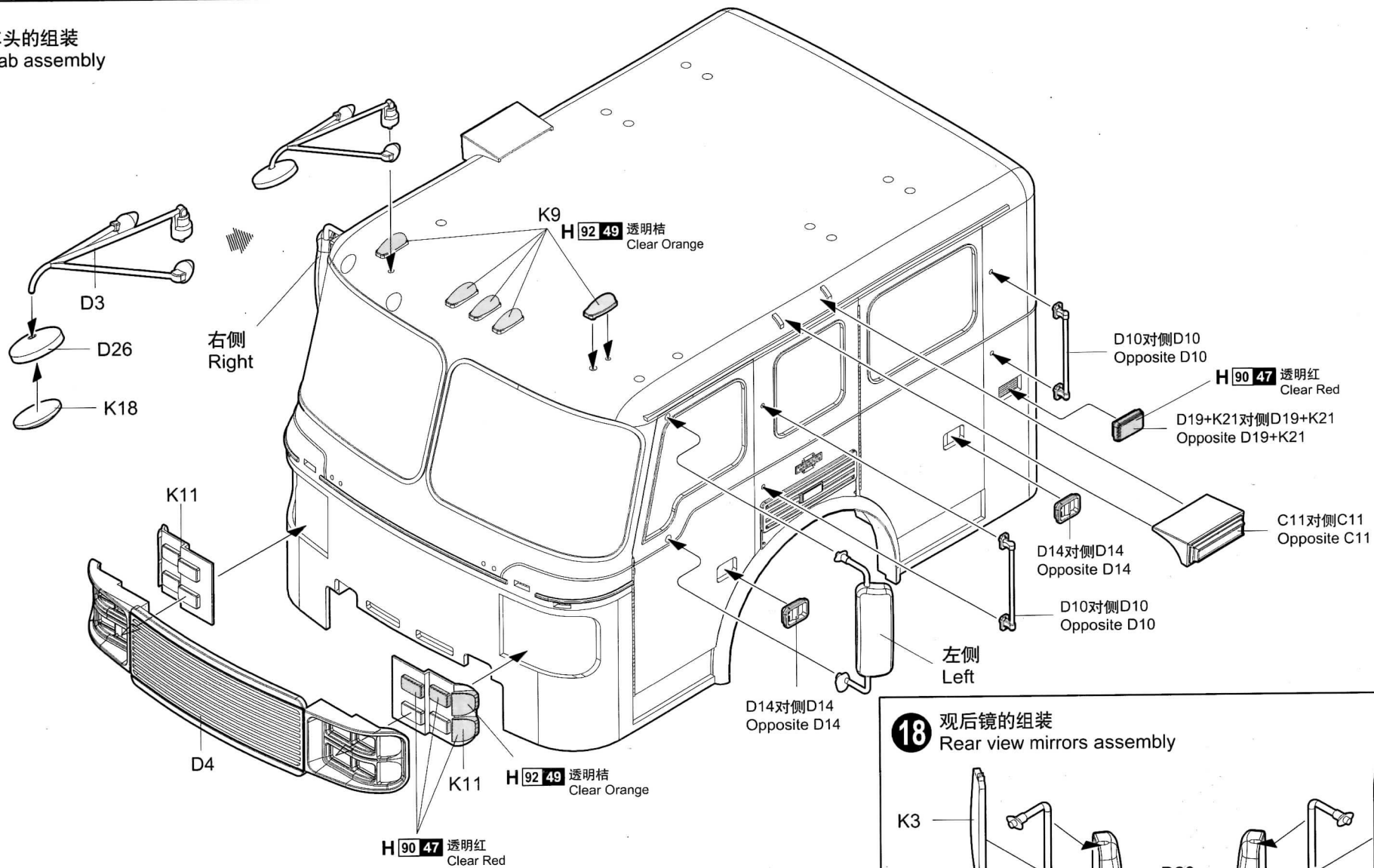
15 座椅的安装
Attaching seat



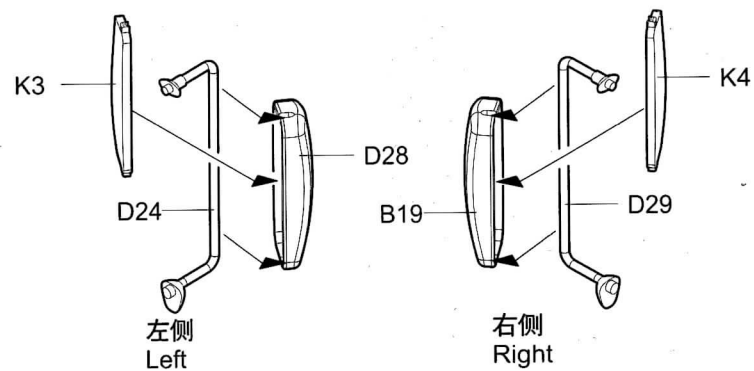
16 挡风玻璃的安装
Windshield installation



17 车头的组装
Cab assembly

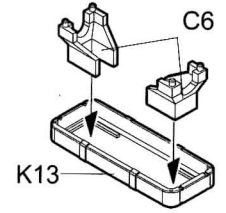
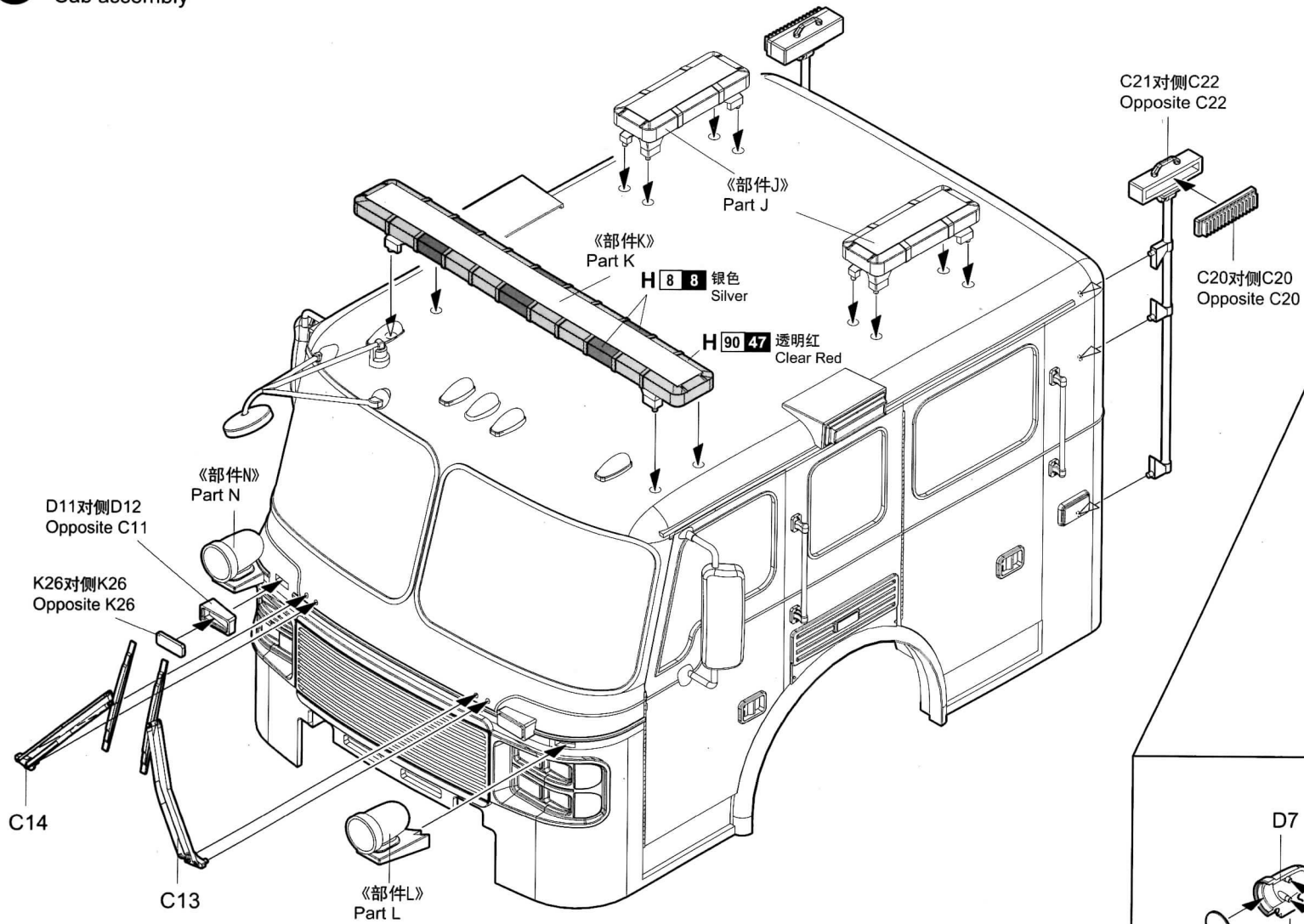


18 观后镜的组装
Rear view mirrors assembly



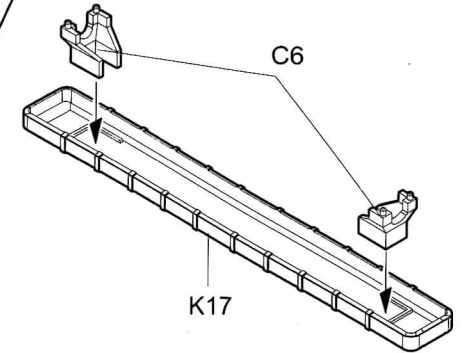
19

车头的组装
Cab assembly

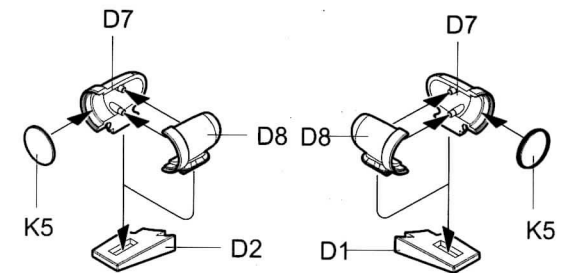


制作2组
Make two

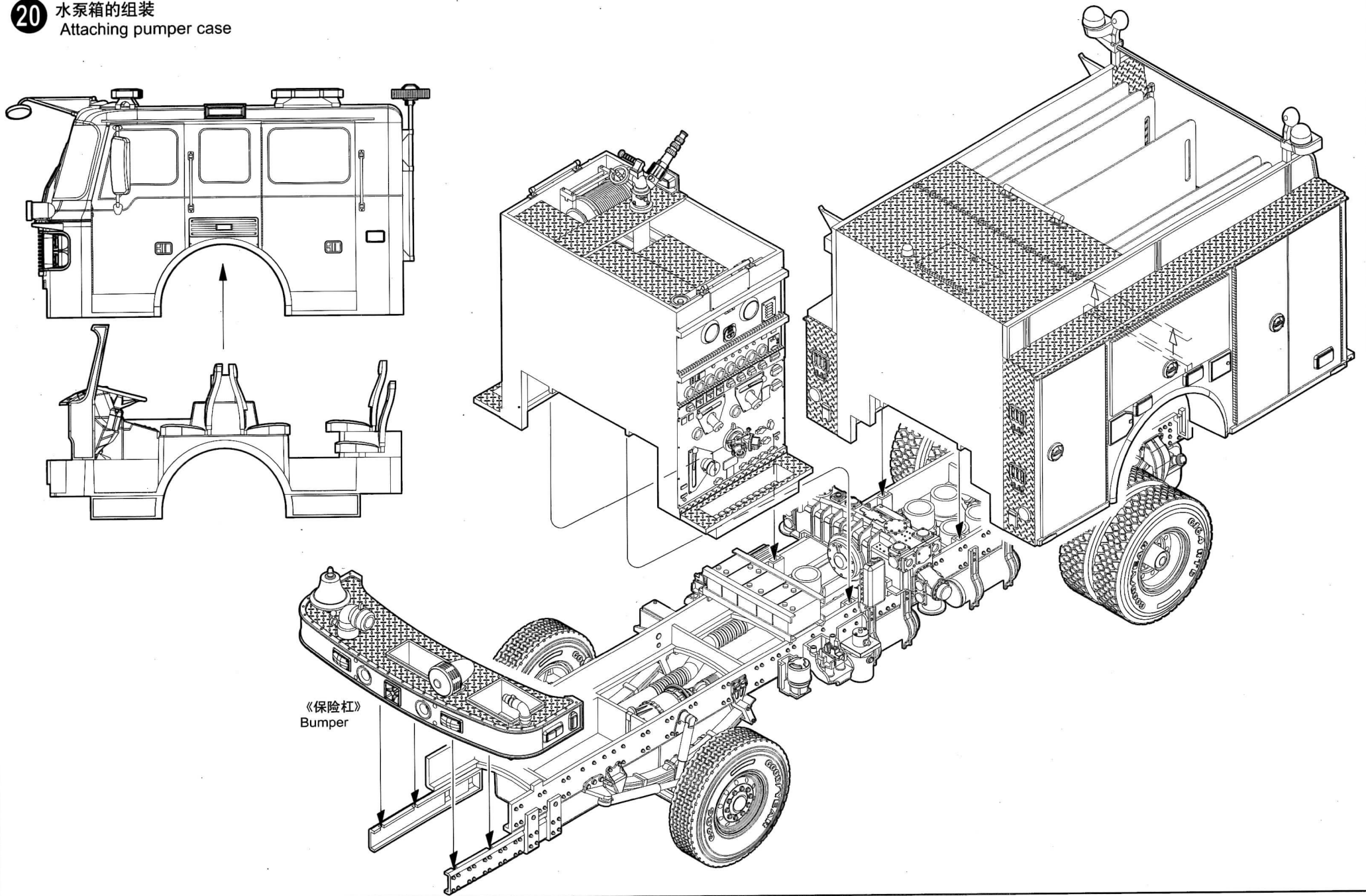
《部件J》
Part J



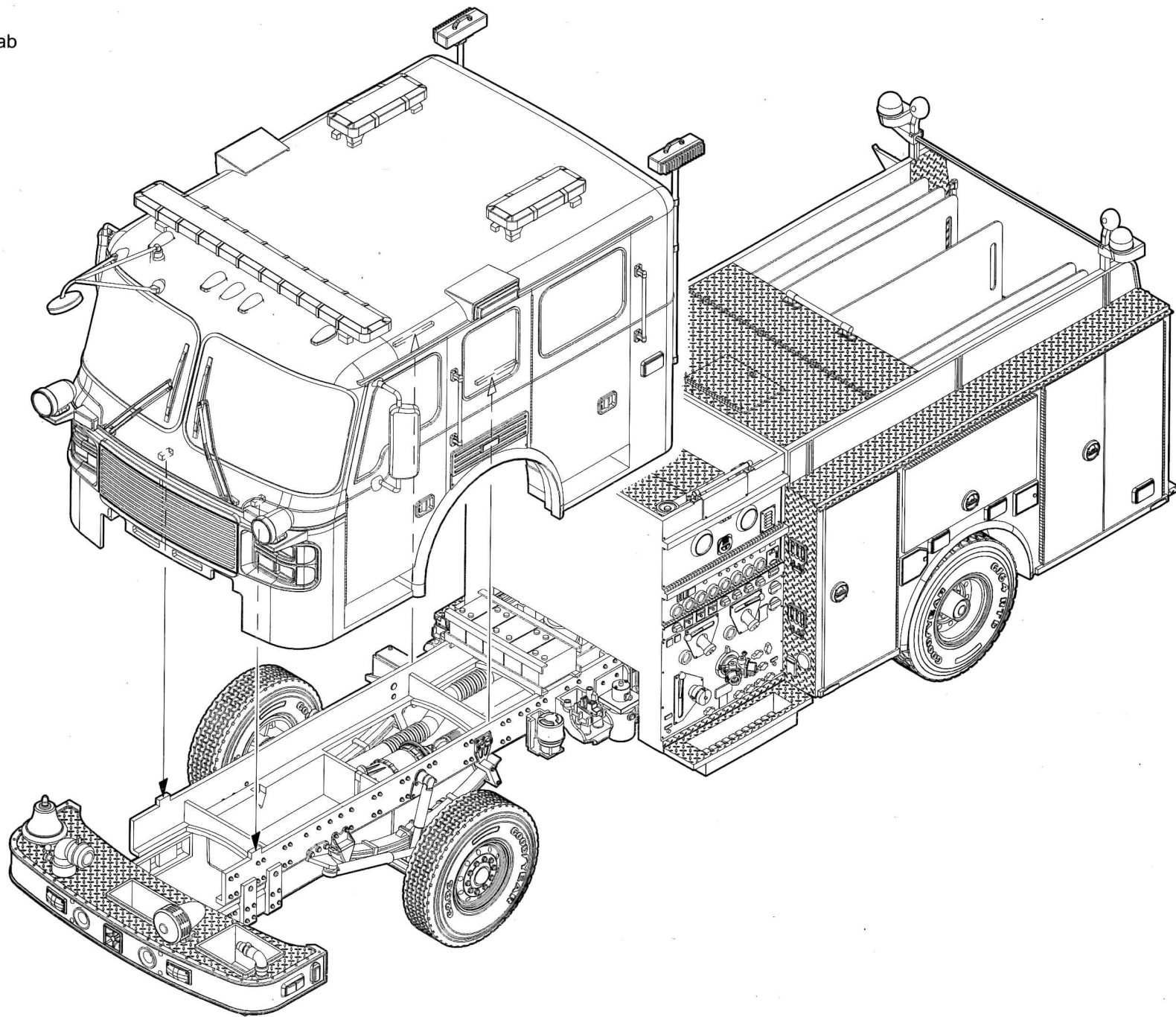
《部件K》
Part K



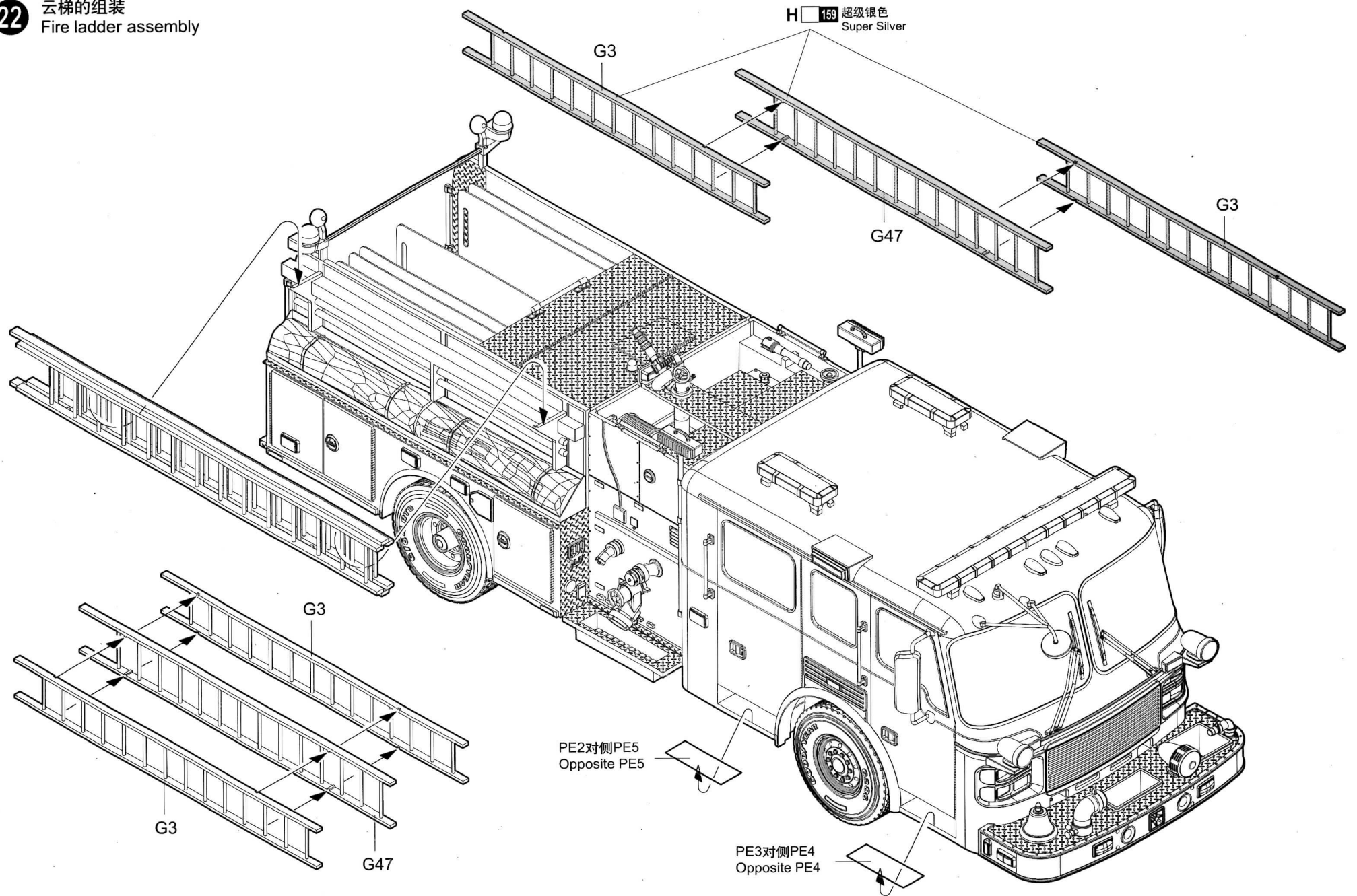
20 水泵箱的组装
Attaching pumper case



21 车头的组装
Attaching cab



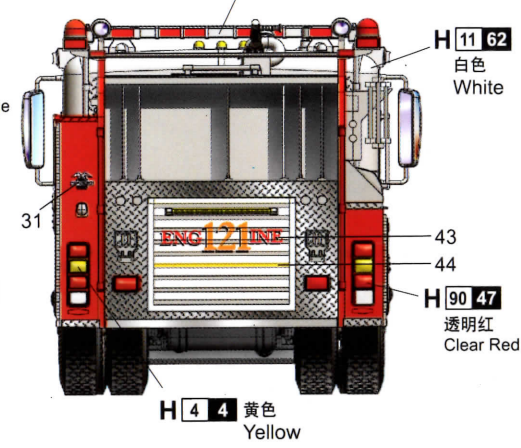
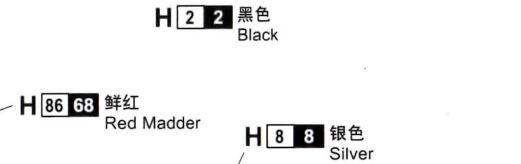
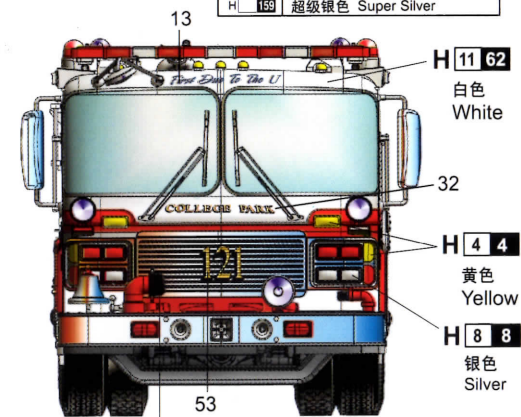
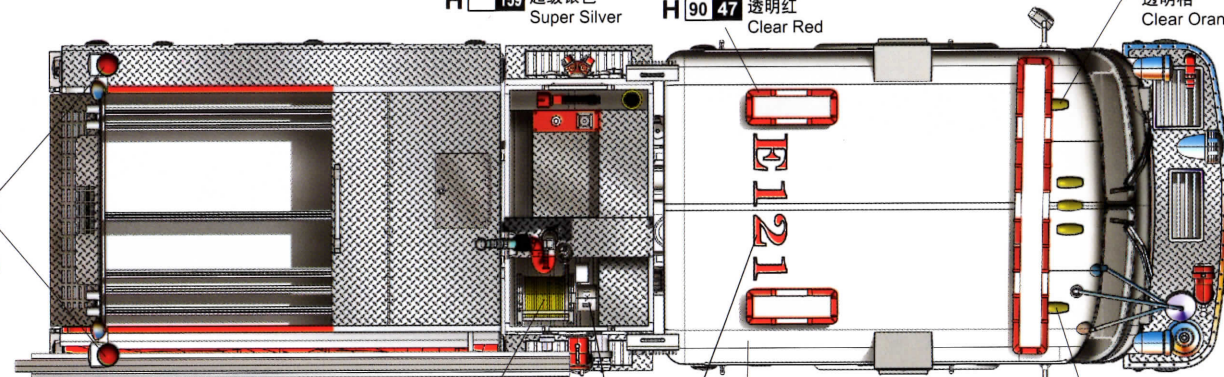
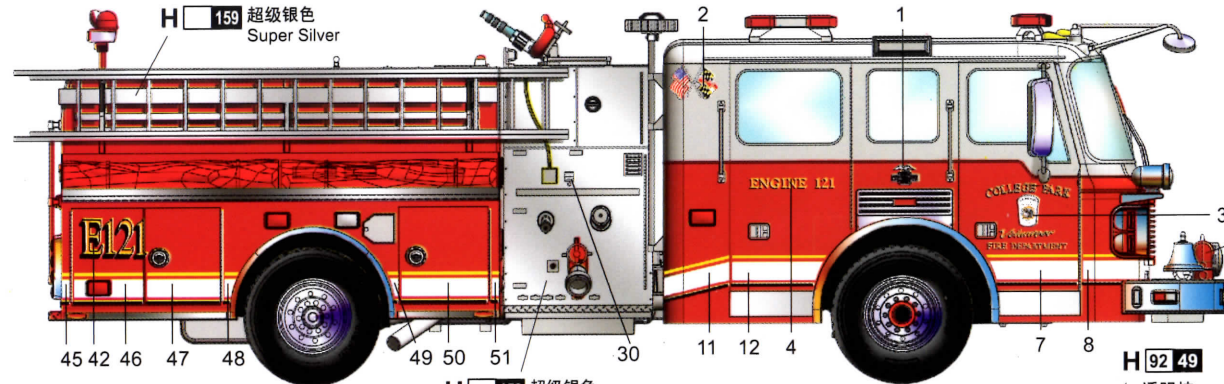
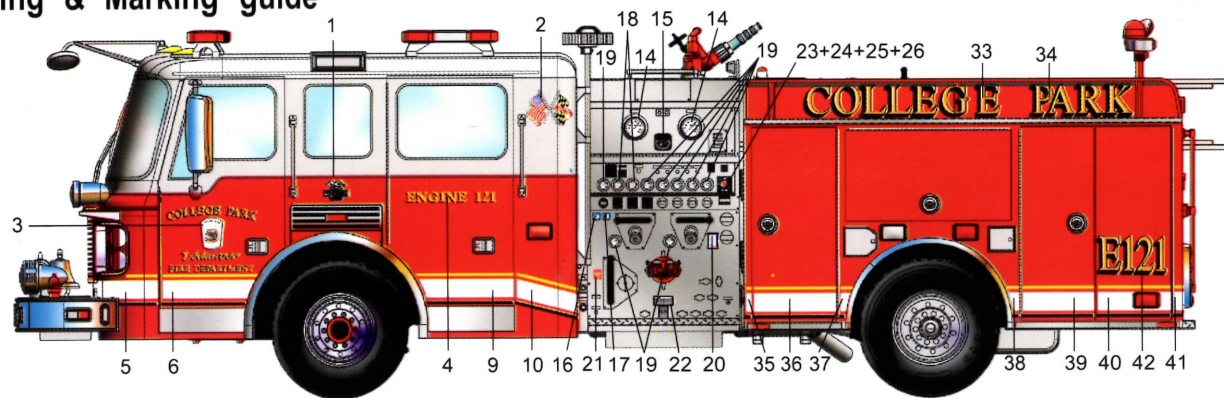
22 云梯的组装
Fire ladder assembly



涂装同标贴指示
Painting & Marking guide

郡仕色使用 Gunze Mr. color used

Gunze		
H 2 2	黑色	Black
H 4 4	黄色	Yellow
H 8 8	银色	Silver
H 11 62	白色	White
H 86 68	鲜红色	Red Madder
H 90 47	透明红	Clear Red
H 92 49	透明桔	Clear Orange
H 57 78	灰白色	Aircraft Gray
H 159	超级银色	Super Silver



H 90 47 透明红
Clear Red

H 8 GUNZE SANGYO AQVEOUS HOBBY COLOUR

H 4 4 黄色
Yellow

H 11 62 白色
White

H 92 49 透明桔
Clear Orange

H 8 GUNZE SANGYO MR.COLOUR