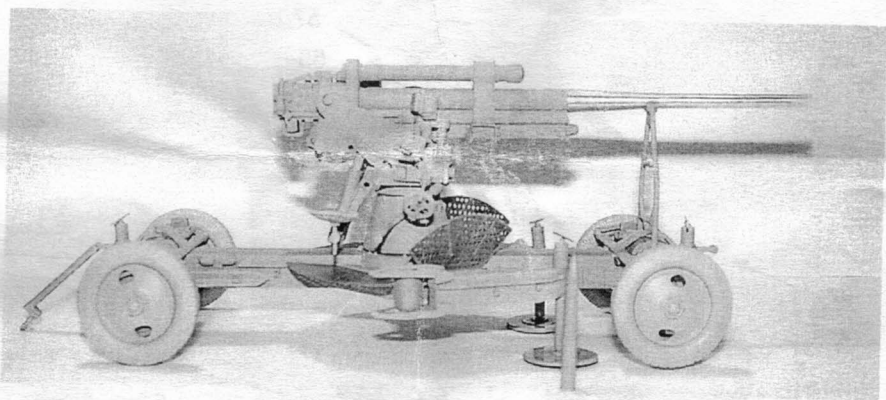


# miniarm

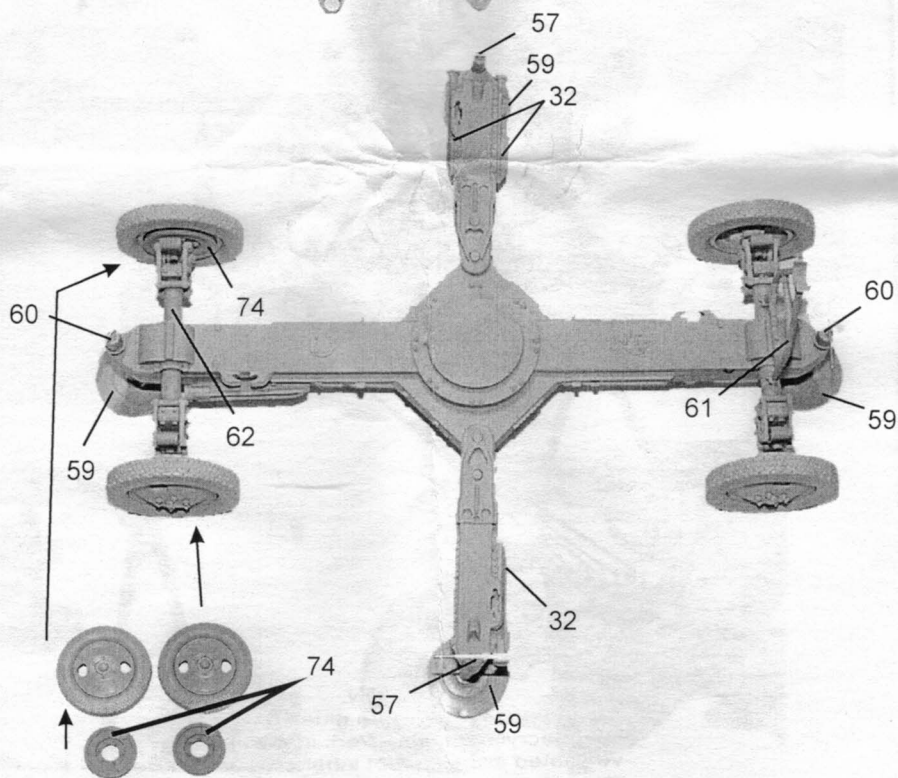
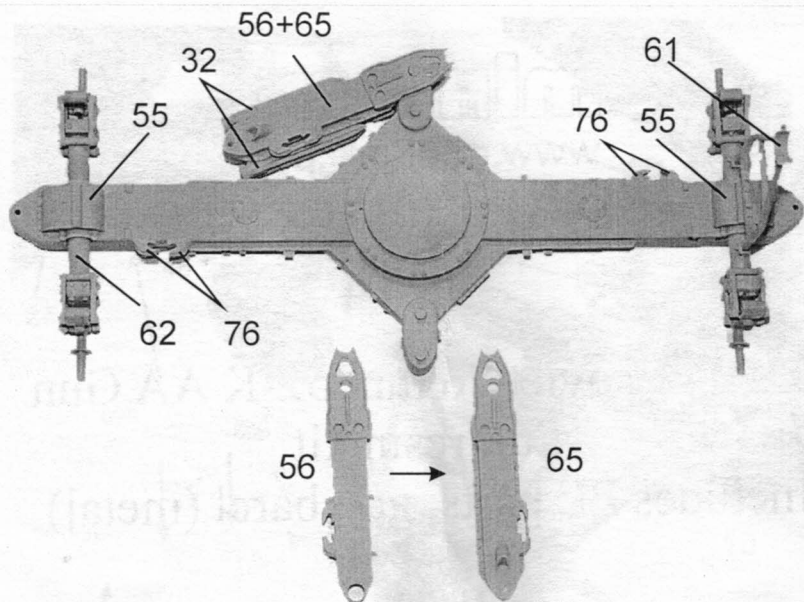
[www.miniarm.com](http://www.miniarm.com)

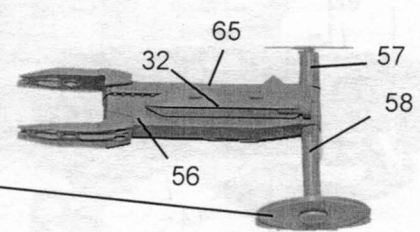
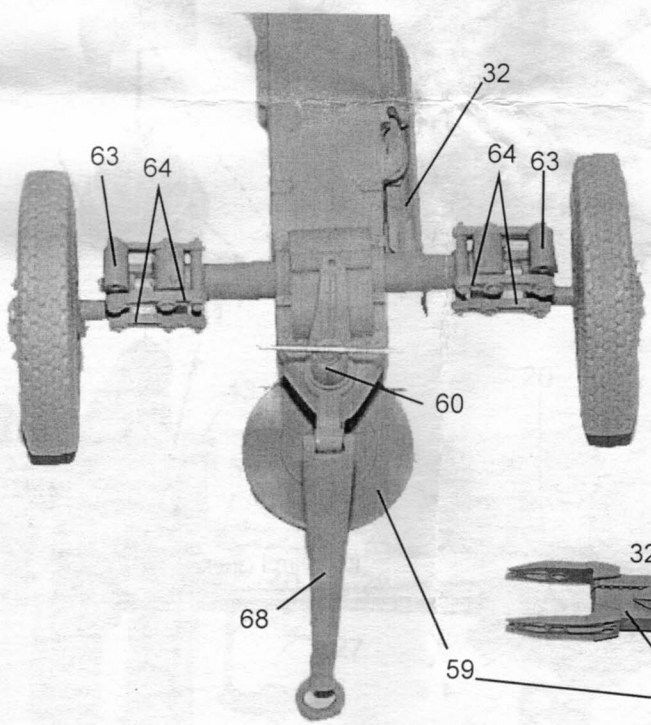
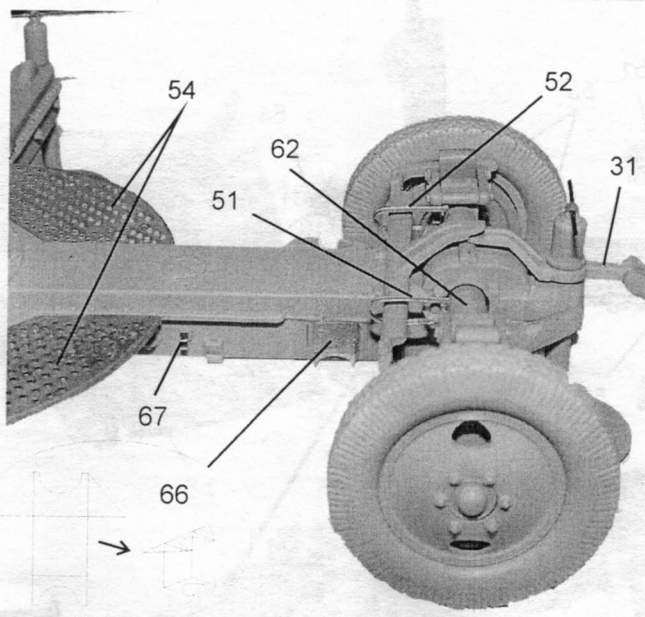
B35043 Soviet 76 mm 52-K AA Gun  
Full resin kit  
Includes PE parts, gun barrel (metal)

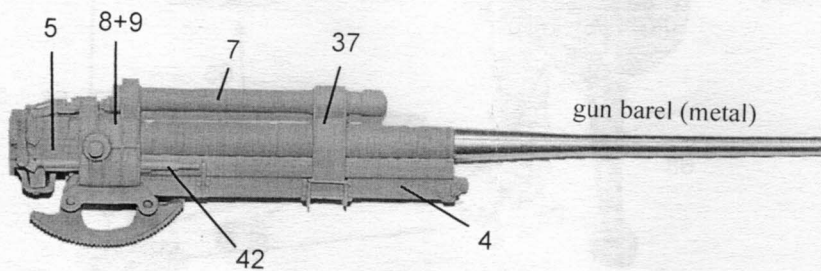
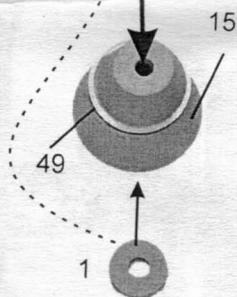
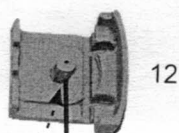
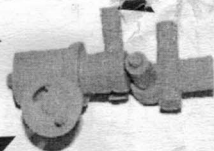
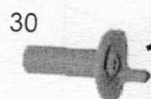
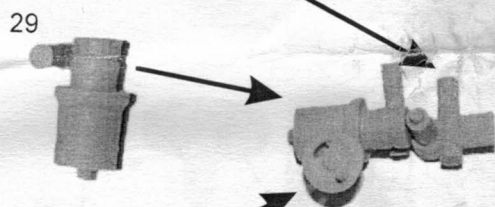
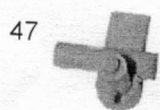
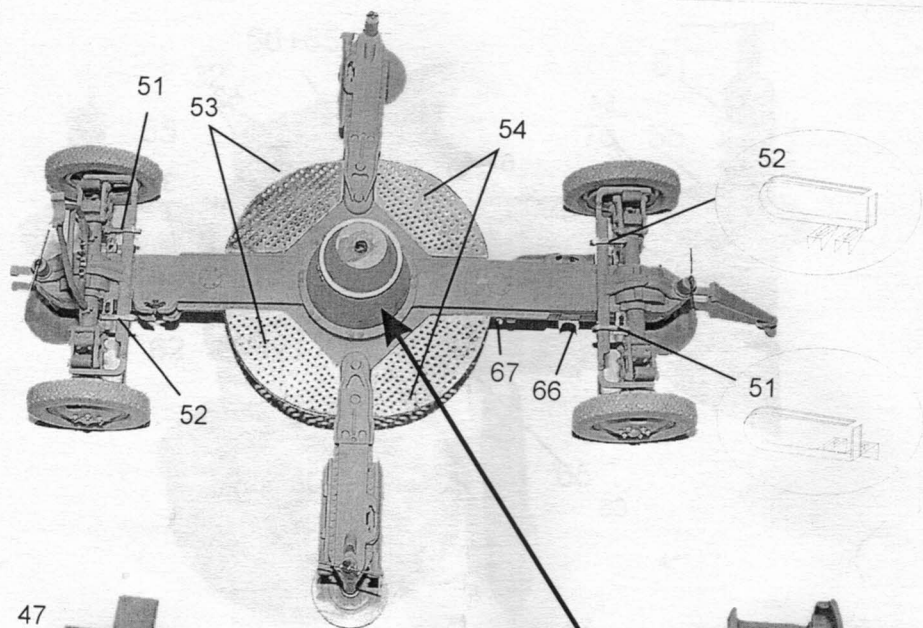


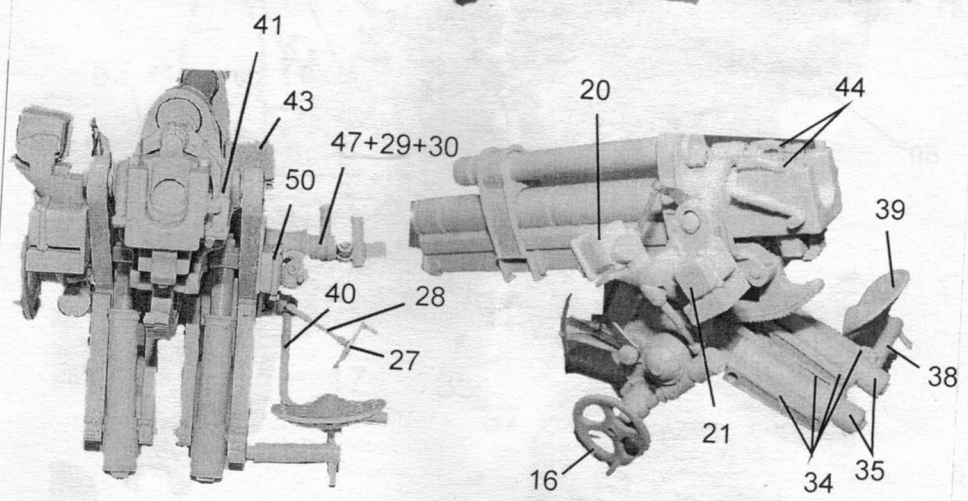
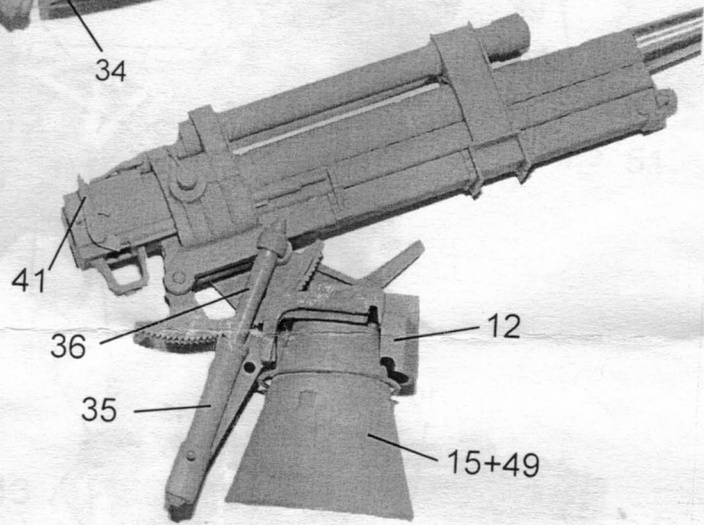
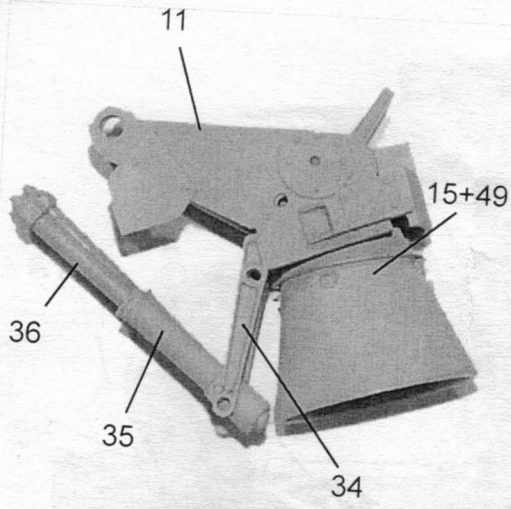
**CAUTION:**

Resin parts can only be glued using cyanoacrylate glues. Work in a well ventilated area. Do not inhale vapors since these can be harmful.

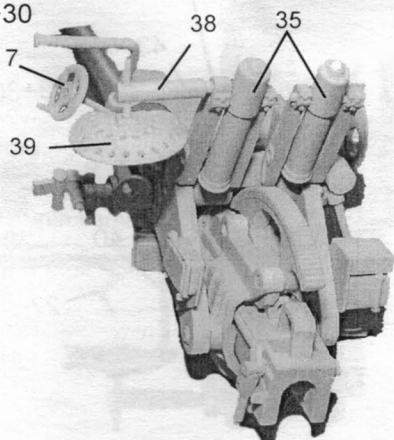
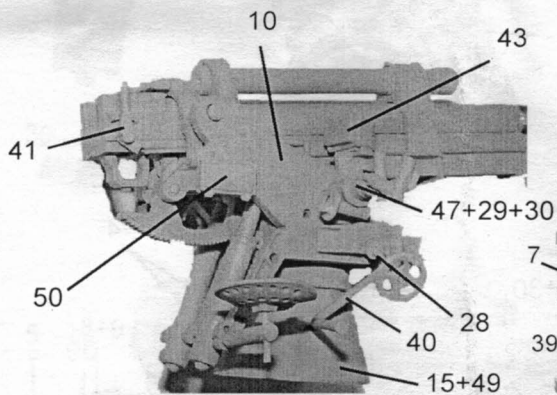
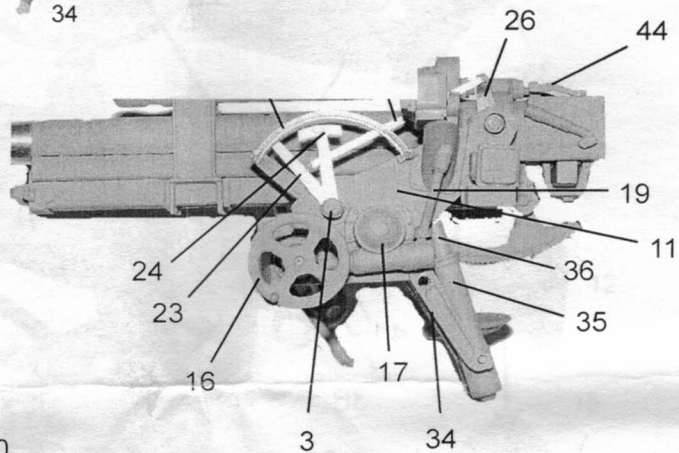
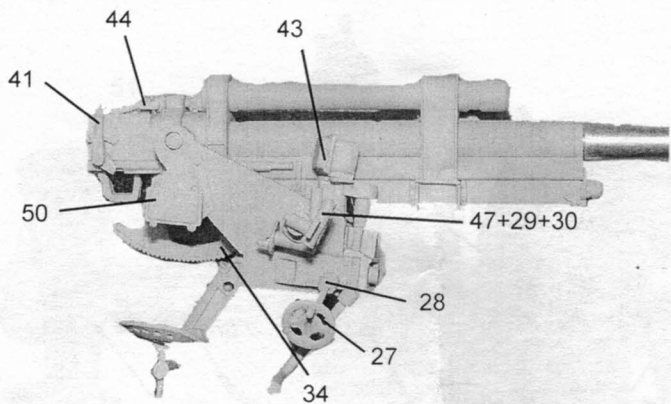


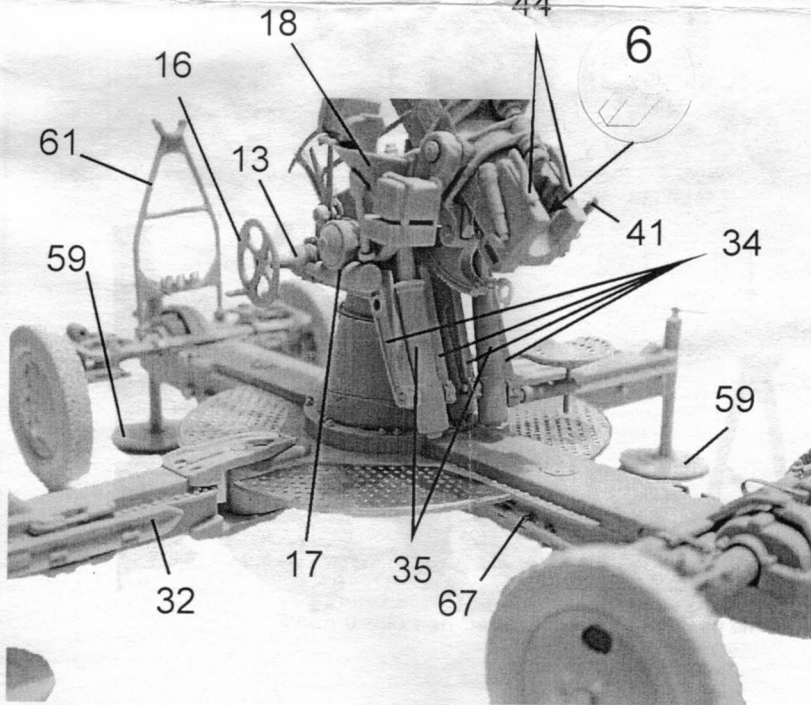
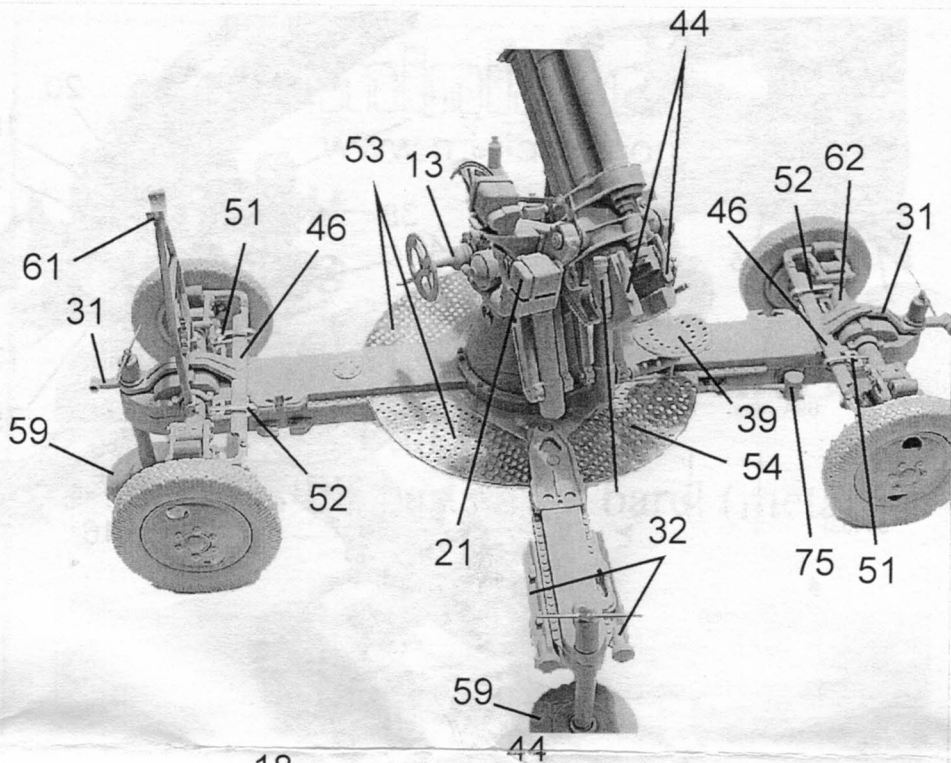


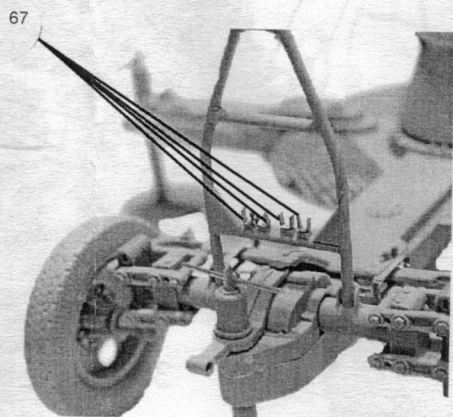
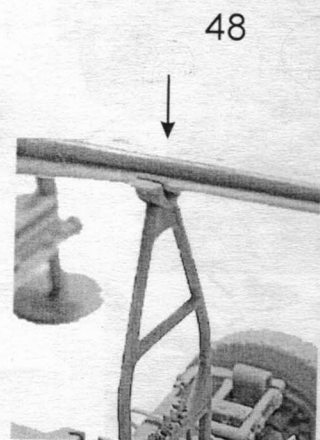
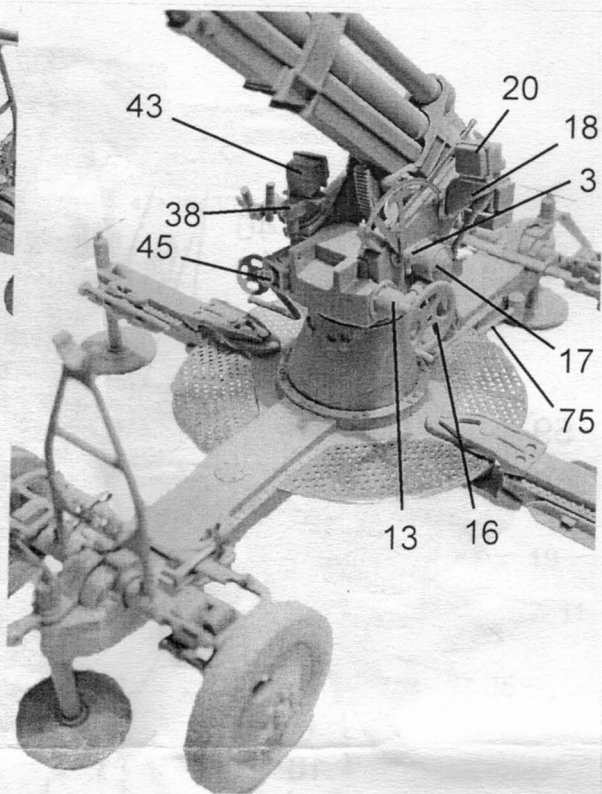
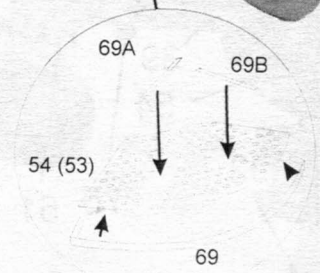
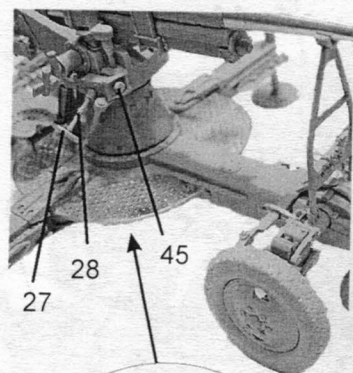












Optional on the marching