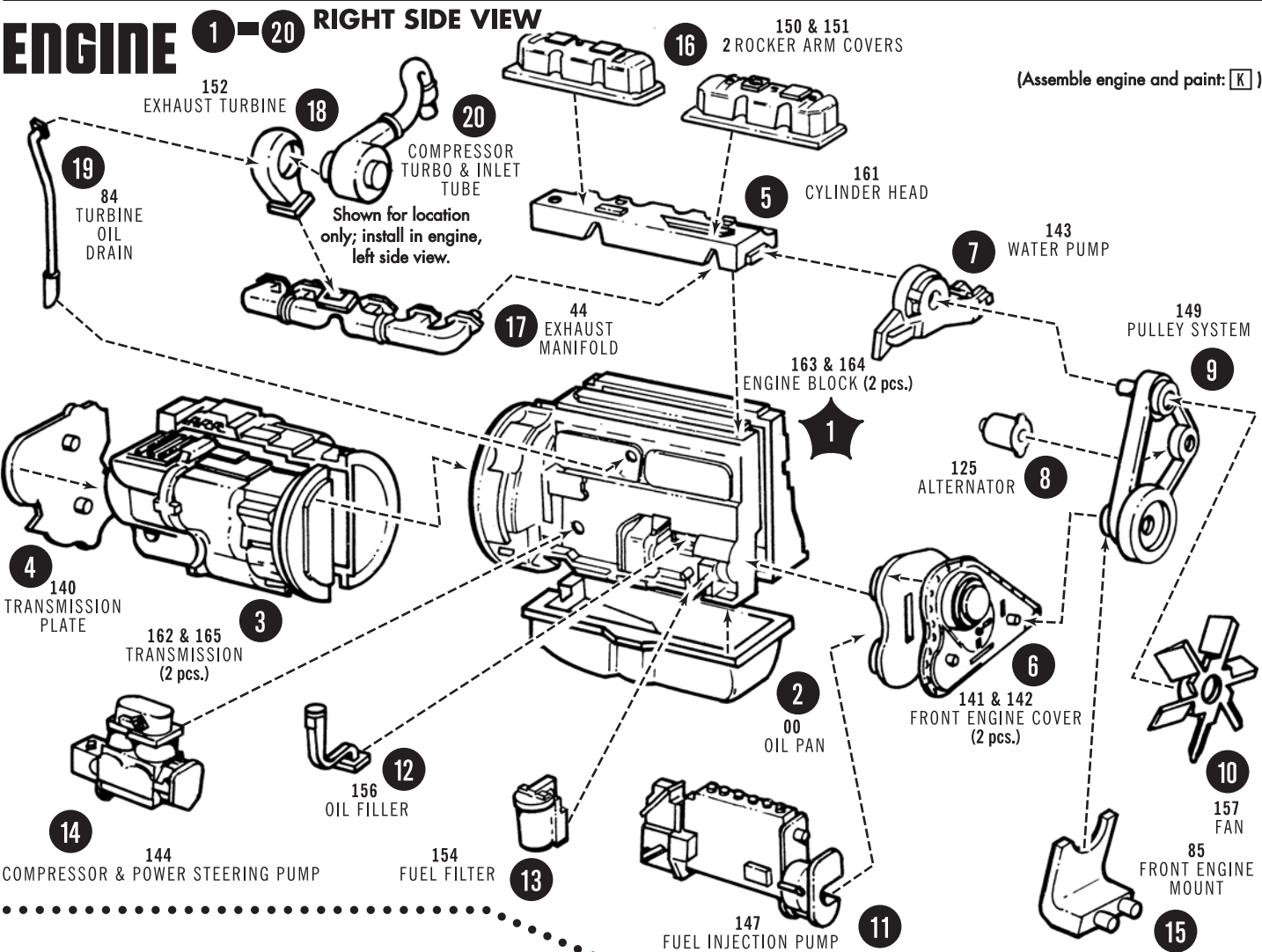


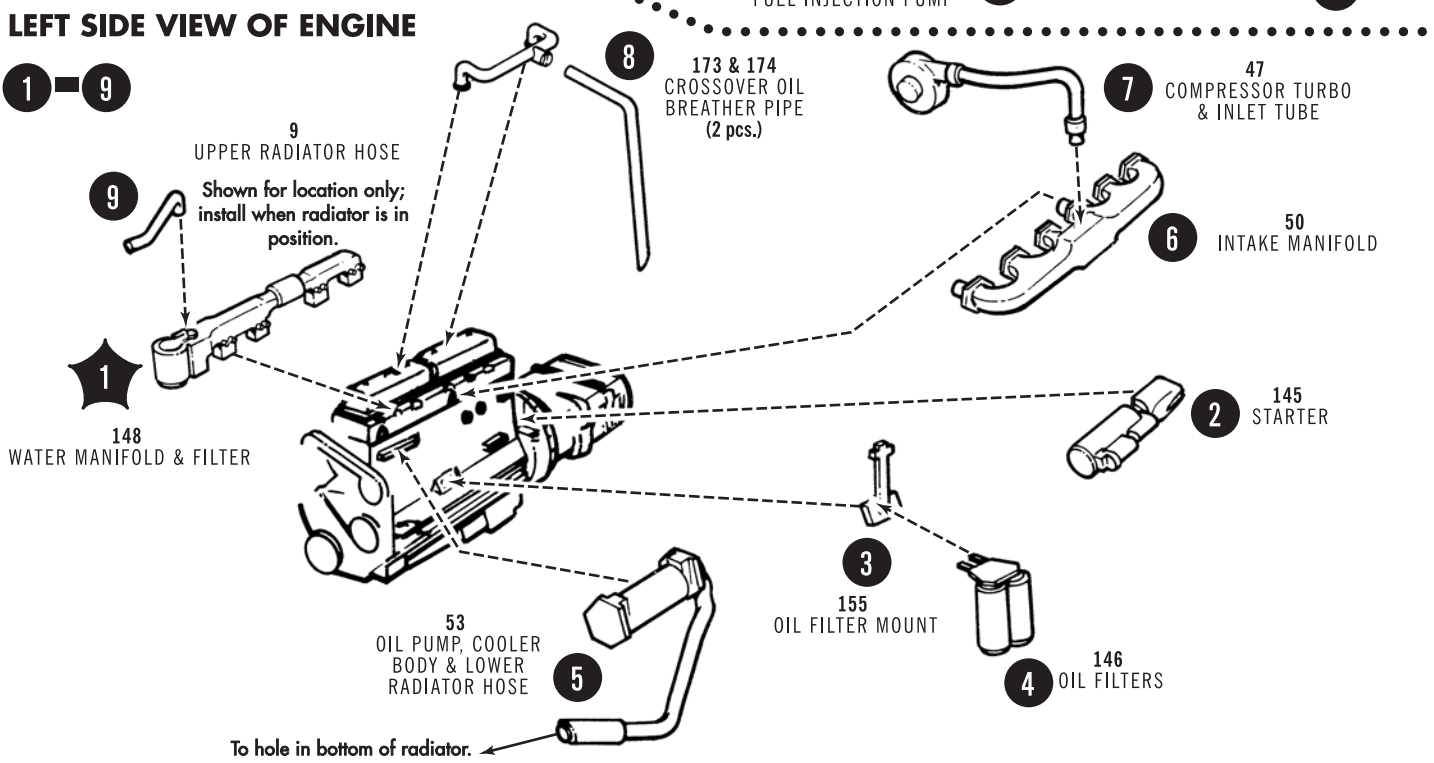
IMPORTANT! READ THESE POINTS BEFORE YOU BEGIN

- 1 "TEST FIT" all parts before cementing. Trim excess plastic from parts before joining.
- 2 Cement all parts unless otherwise indicated by the instructions.
- 3 Use paint and cement made for styrene plastic only.
- 4 Paint all sub-assemblies before attaching chrome parts.
- 5 Scrape chrome and paint away from surfaces to be cemented together.
- 6 Follow all of the numbers on the instruction sheet beginning with number one.

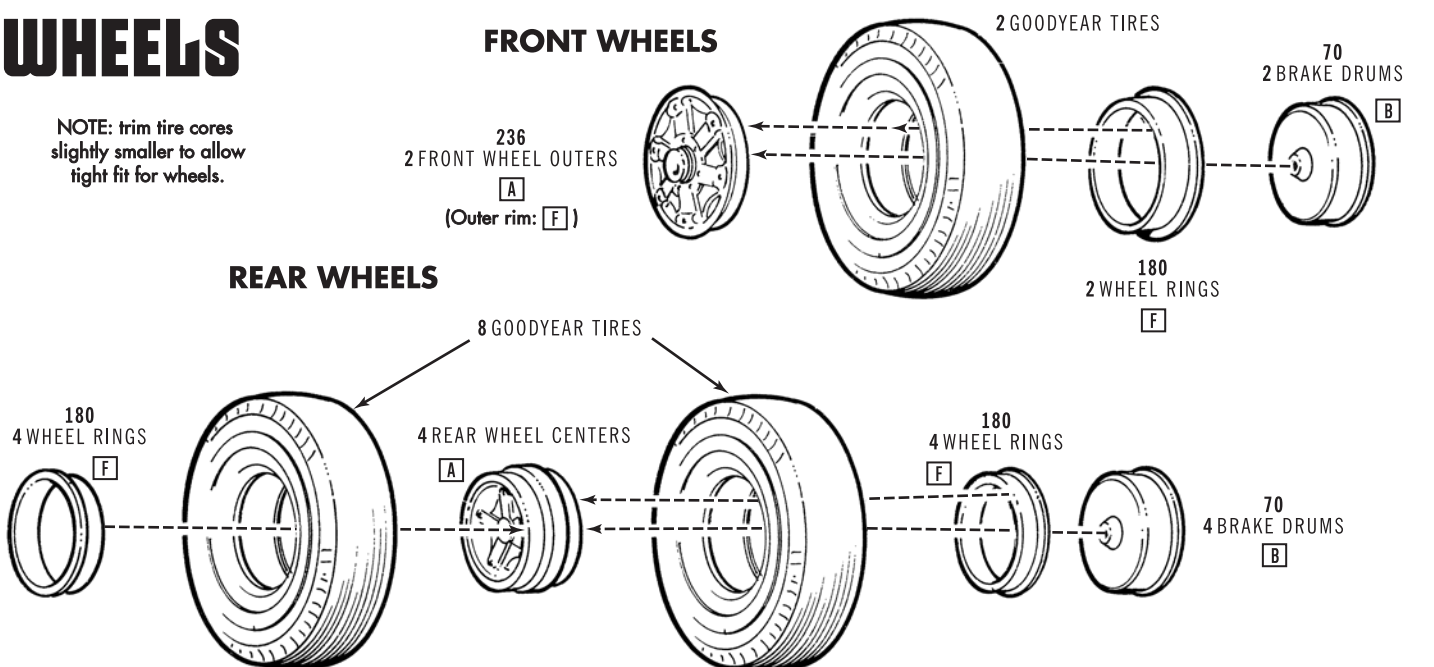
ENGINE 1-20 RIGHT SIDE VIEW



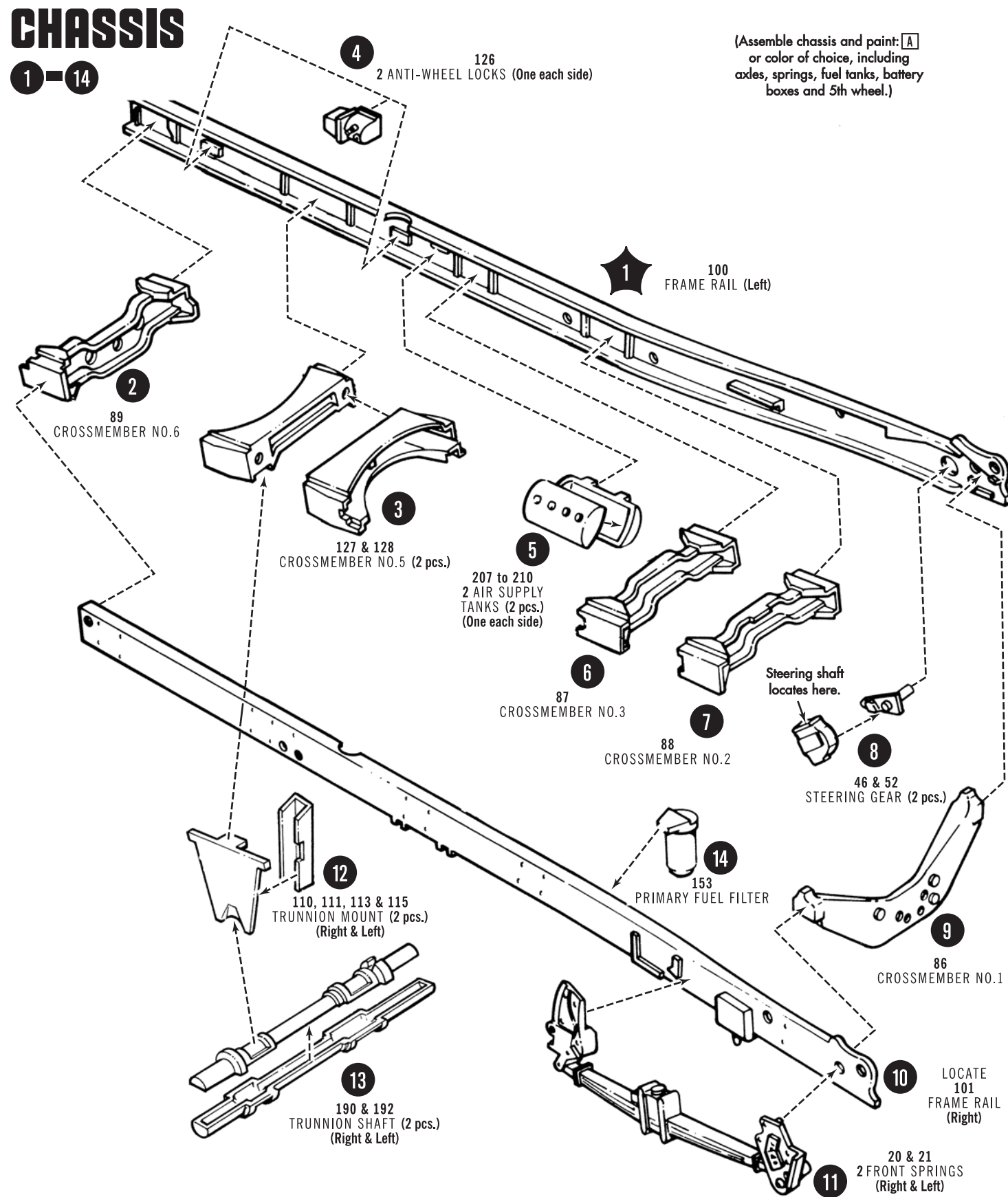
LEFT SIDE VIEW OF ENGINE



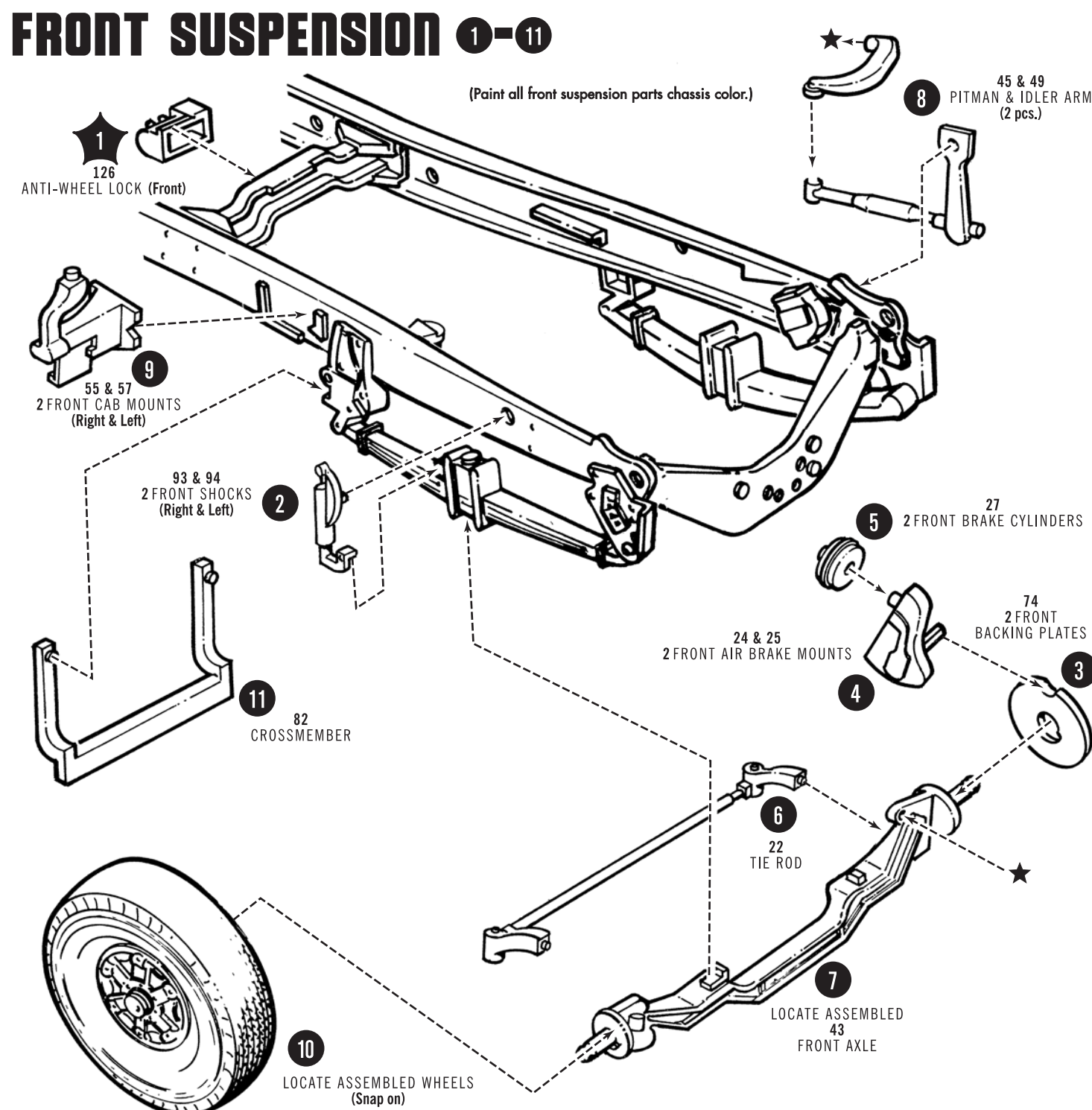
WHEELS



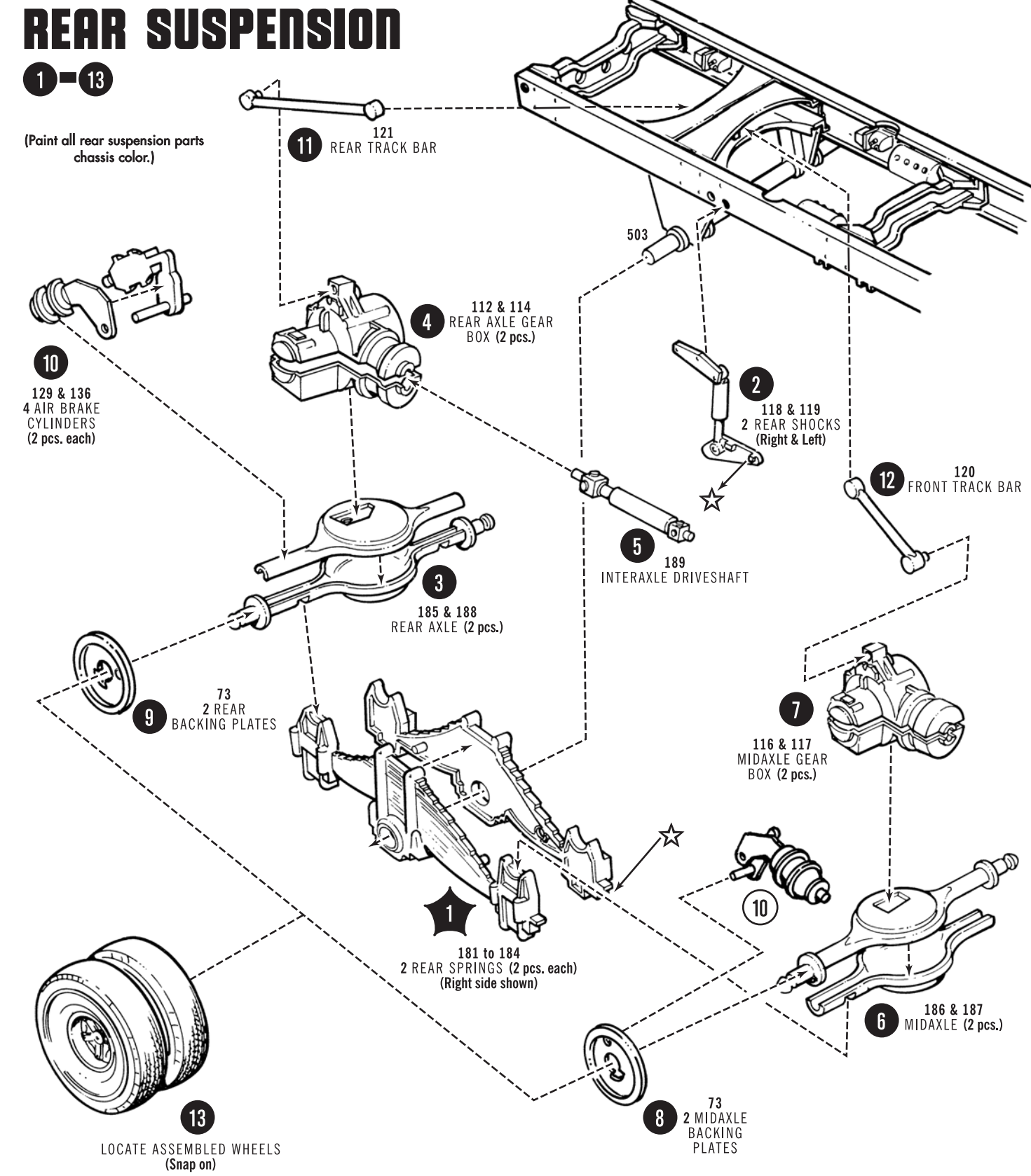
CHASSIS



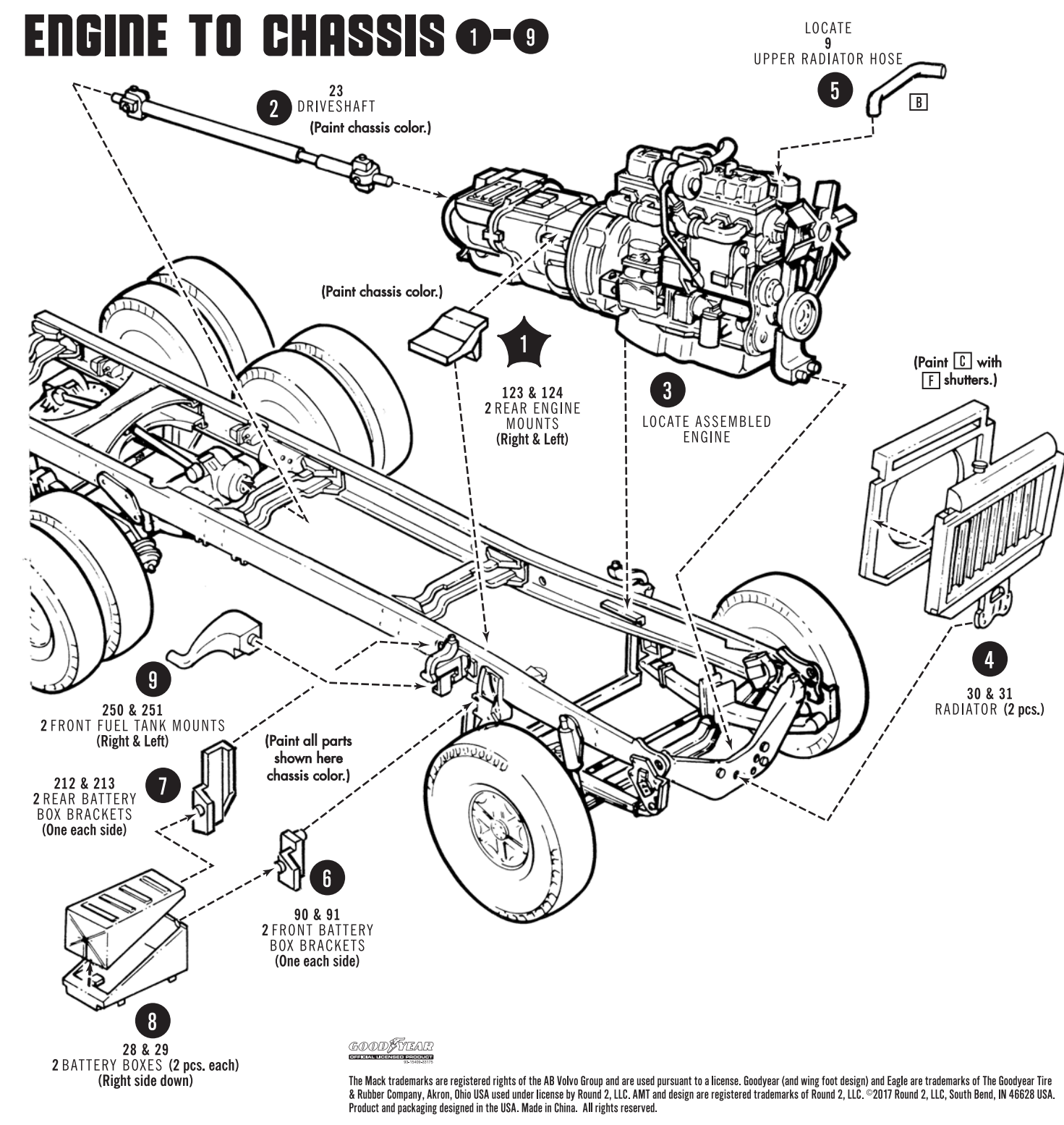
FRONT SUSPENSION 1-11



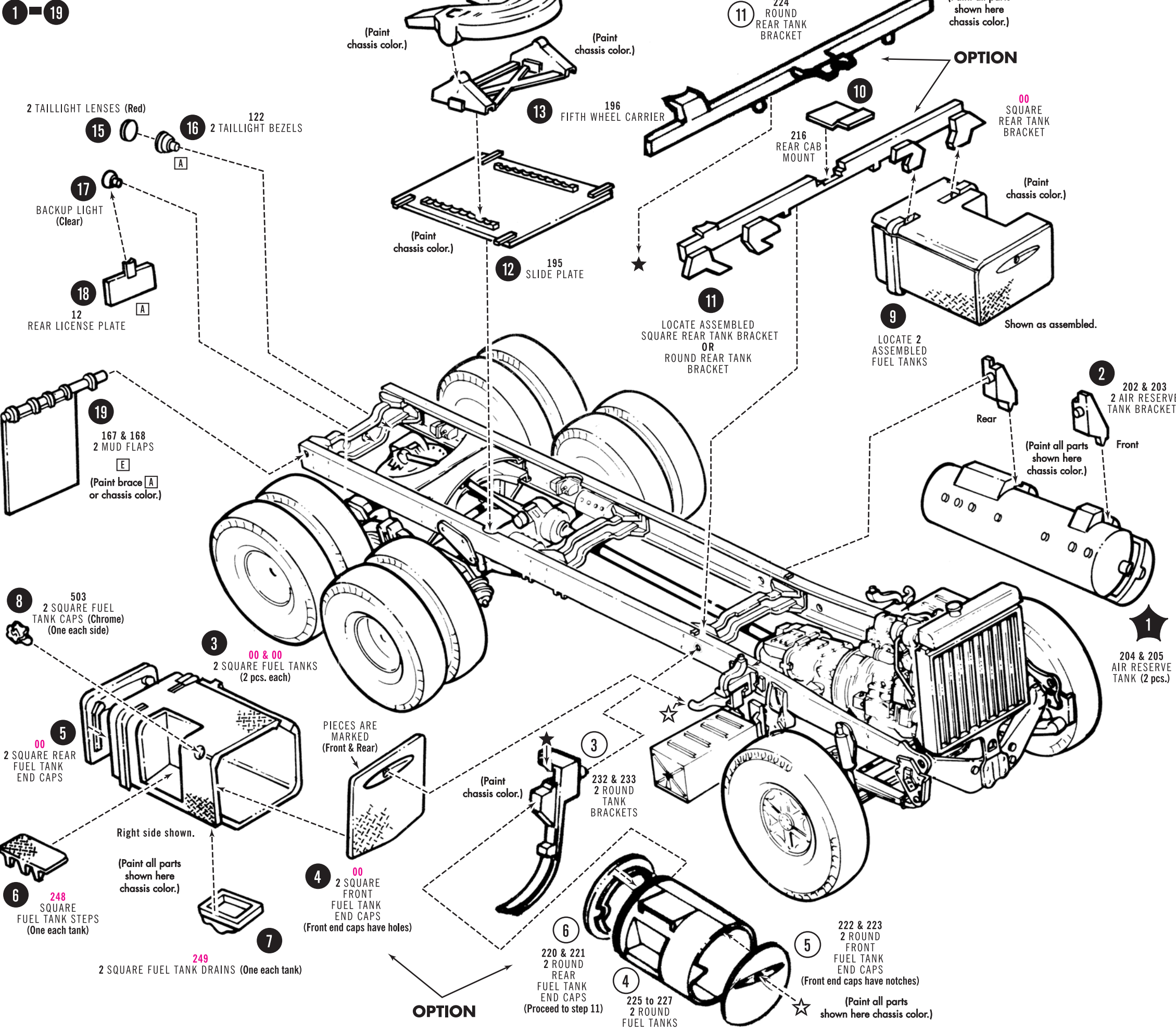
REAR SUSPENSION



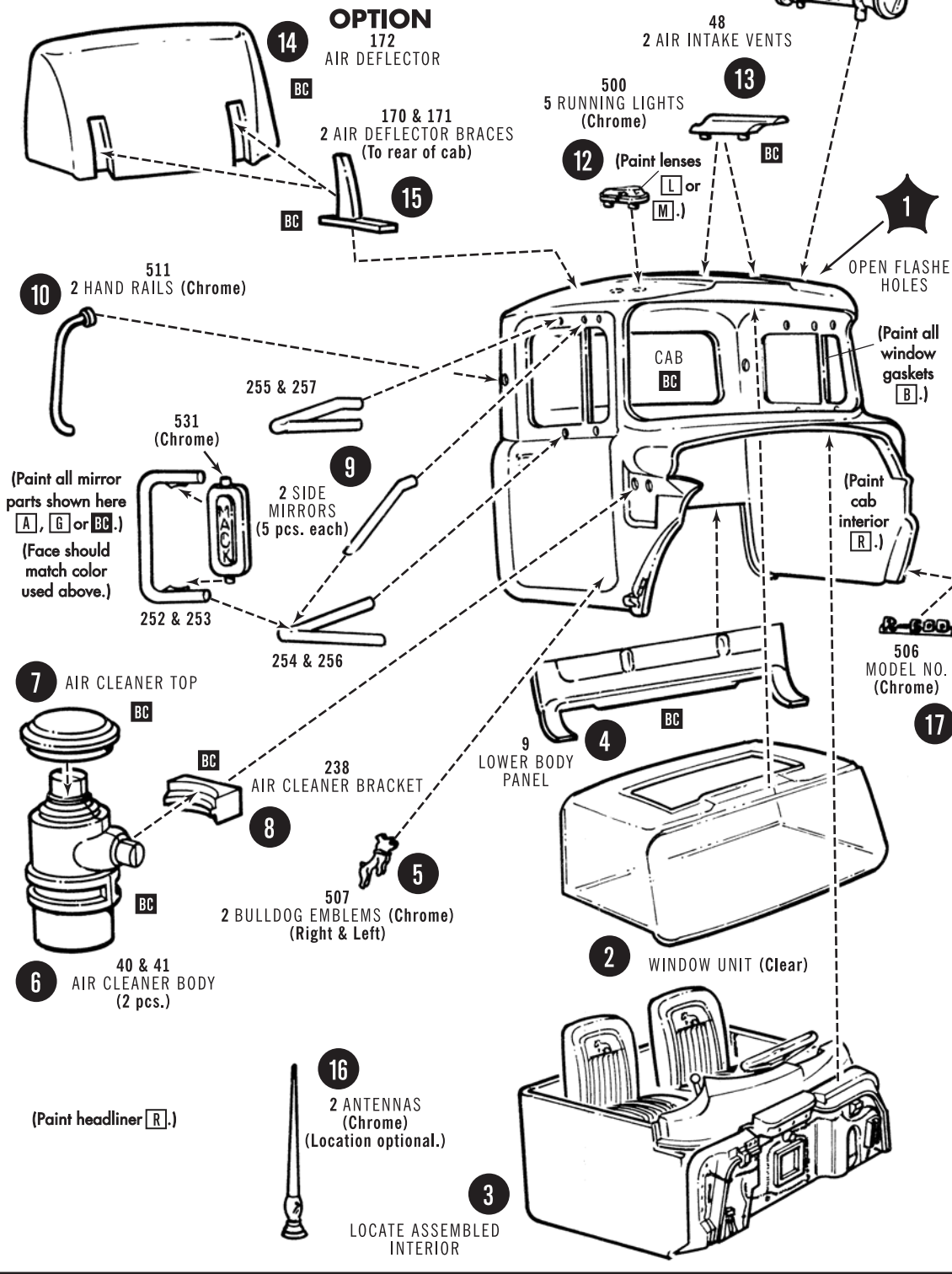
ENGINE TO CHASSIS 1-9



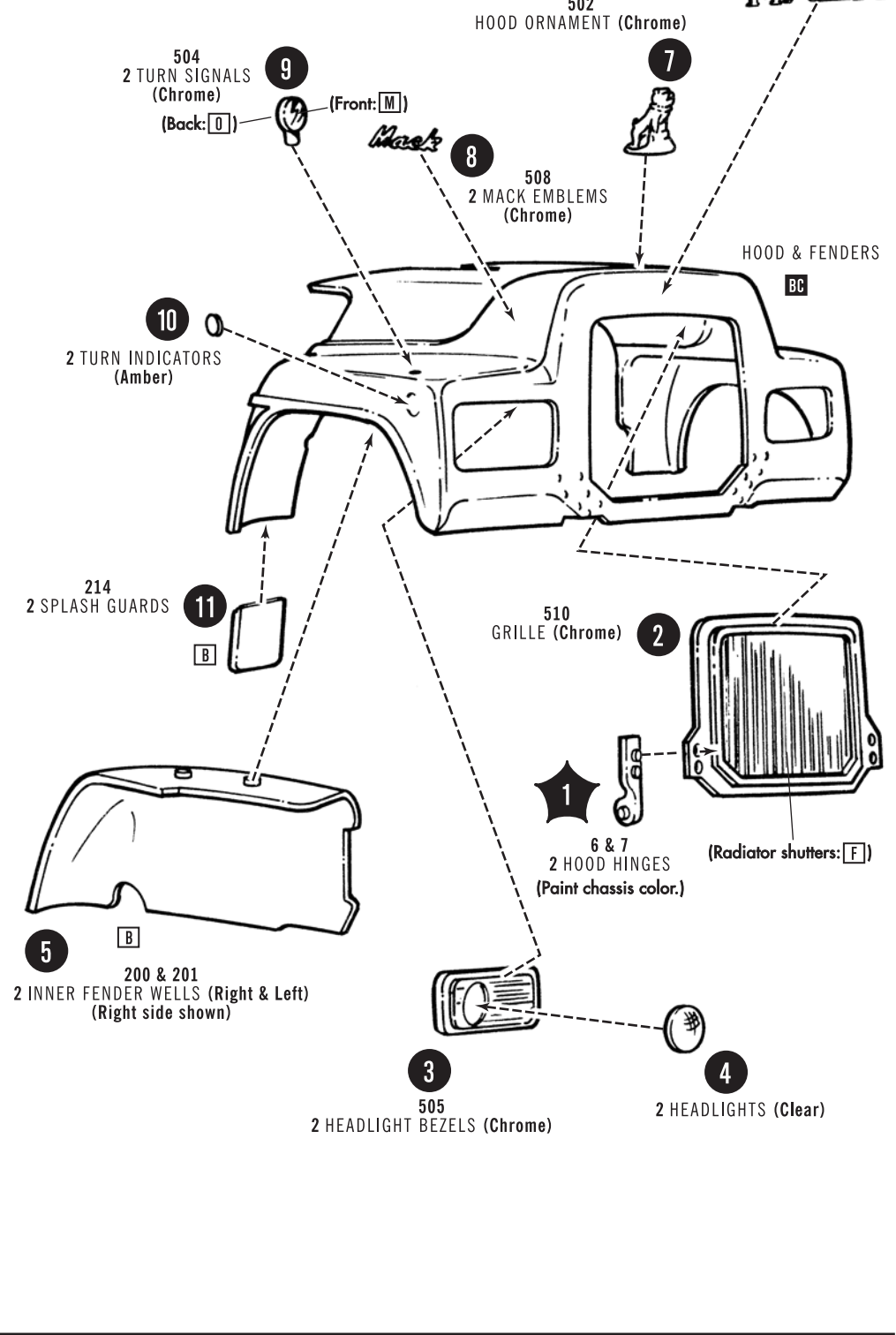
CHASSIS ACCESSORIES 1-19



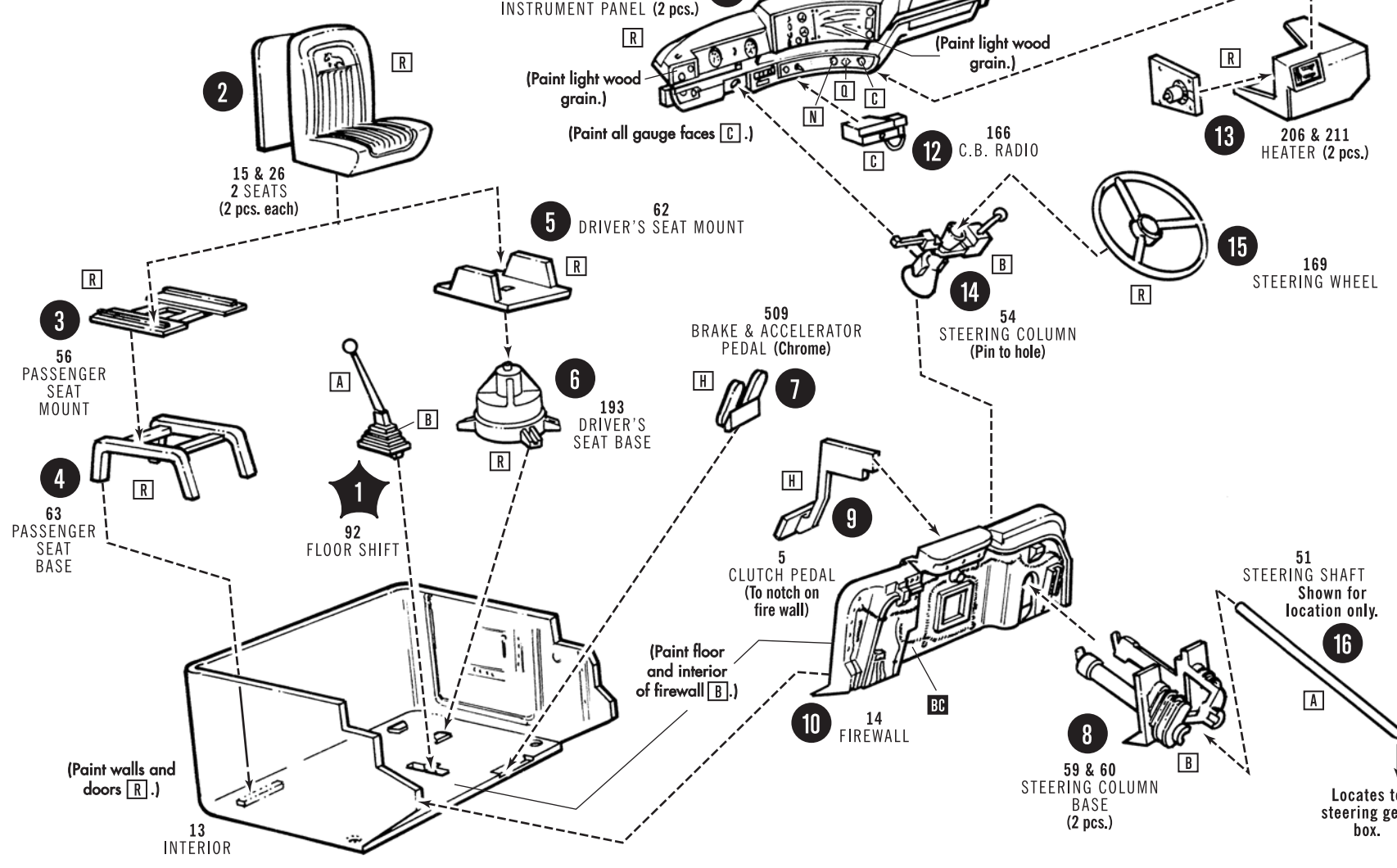
CAB ACCESSORIES 1-17



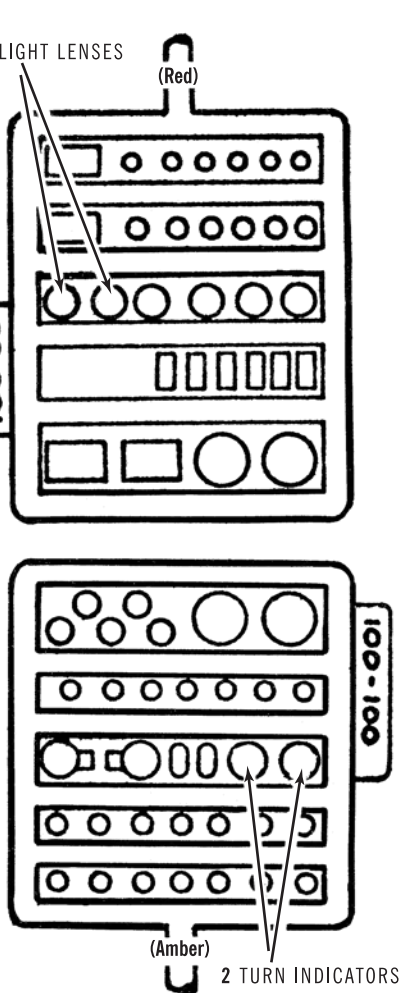
HOOD 1-11



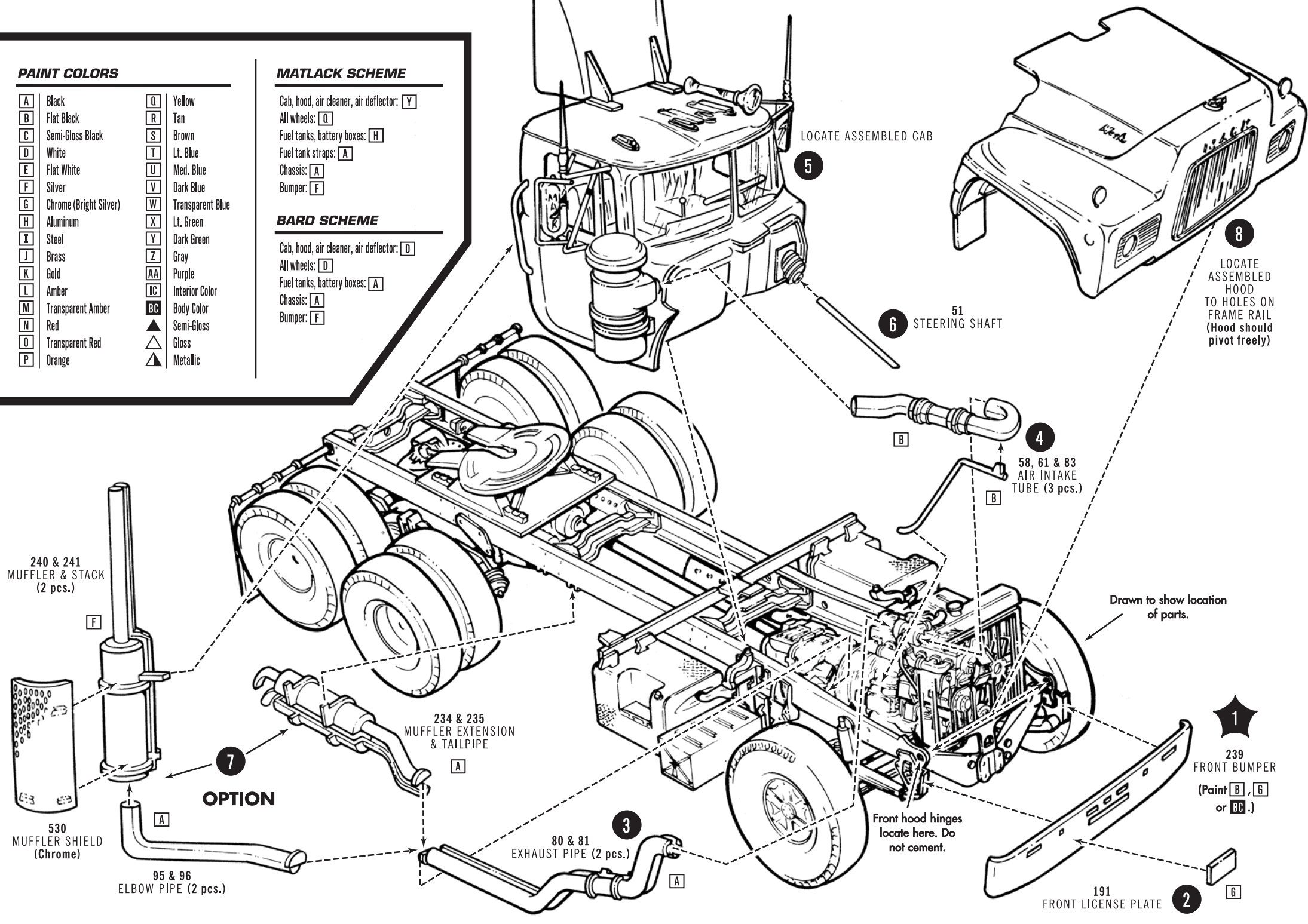
INTERIOR 1-16



LENSES TO BE USED



FINAL ASSEMBLY 1-8



PAINT COLORS		MATLACK SCHEME	
[A] Black	[L] Yellow	Cab, hood, air cleaner, air deflector: [Y]	
[B] Flat Black	[R] Tan	All wheels: [D]	
[C] Semi-Gloss Black	[S] Brown	Fuel tanks, battery boxes: [H]	
[D] White	[T] Lt. Blue	Fuel tank straps: [A]	
[E] Flat White	[U] Med. Blue	Chassis: [A]	
[F] Silver	[V] Dark Blue	Bumper: [F]	
[G] Chrome (Bright Silver)	[W] Transparent Blue		
[H] Aluminum	[X] Lt. Green	BARD SCHEME	
[I] Steel	[Y] Dark Green	Cab, hood, air cleaner, air deflector: [D]	
[J] Brass	[Z] Gray	All wheels: [D]	
[K] Gold	[AA] Purple	Fuel tanks, battery boxes: [A]	
[L] Amber	[AB] Interior Color	Chassis: [A]	
[M] Transparent Amber	[AC] Body Color	Bumper: [F]	
[N] Red	[AD] Semi-Gloss		
[O] Transparent Red	[AE] Glass		
[P] Orange	[AF] Metallic		