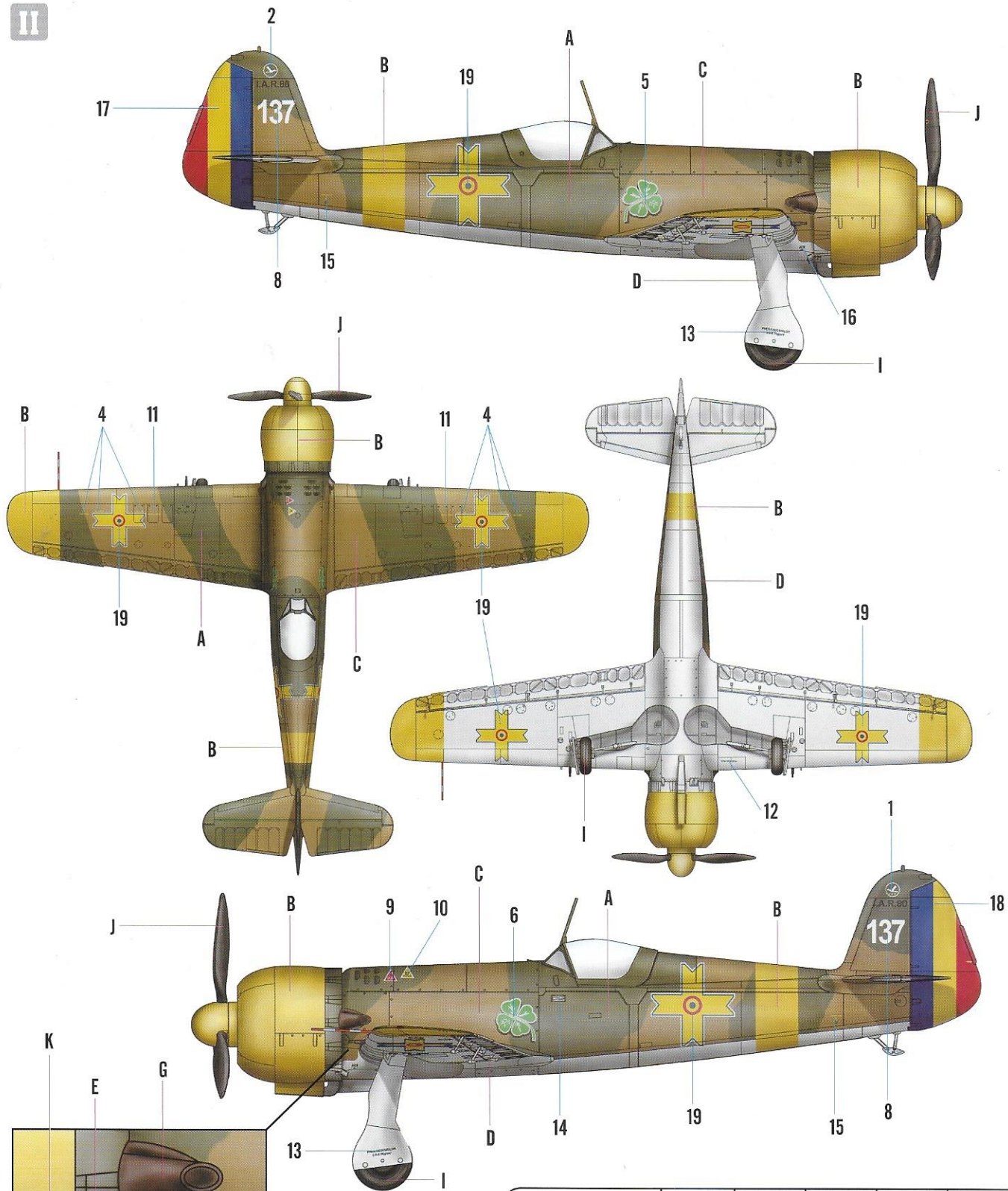


NO.:81757

Color	Mr.Hobby	Vallejo	Model Master	Tamiya	Humbrol
A 深绿色 RLM83 Dark Green	H 123	892	--	--	--
B 黄色 RLM04 Yellow	H 113	--	--	A78	--
C 深土色 Dark Earth	H 72 22	873	1702	XF52	29
D 浅蓝色 Light Blue	H 20	965	--	XF8	--
E 白色 White	H 1 1	842	1745	X2	22

※ Some paints may not be available in your country. Please check your local hobby shop for substitute

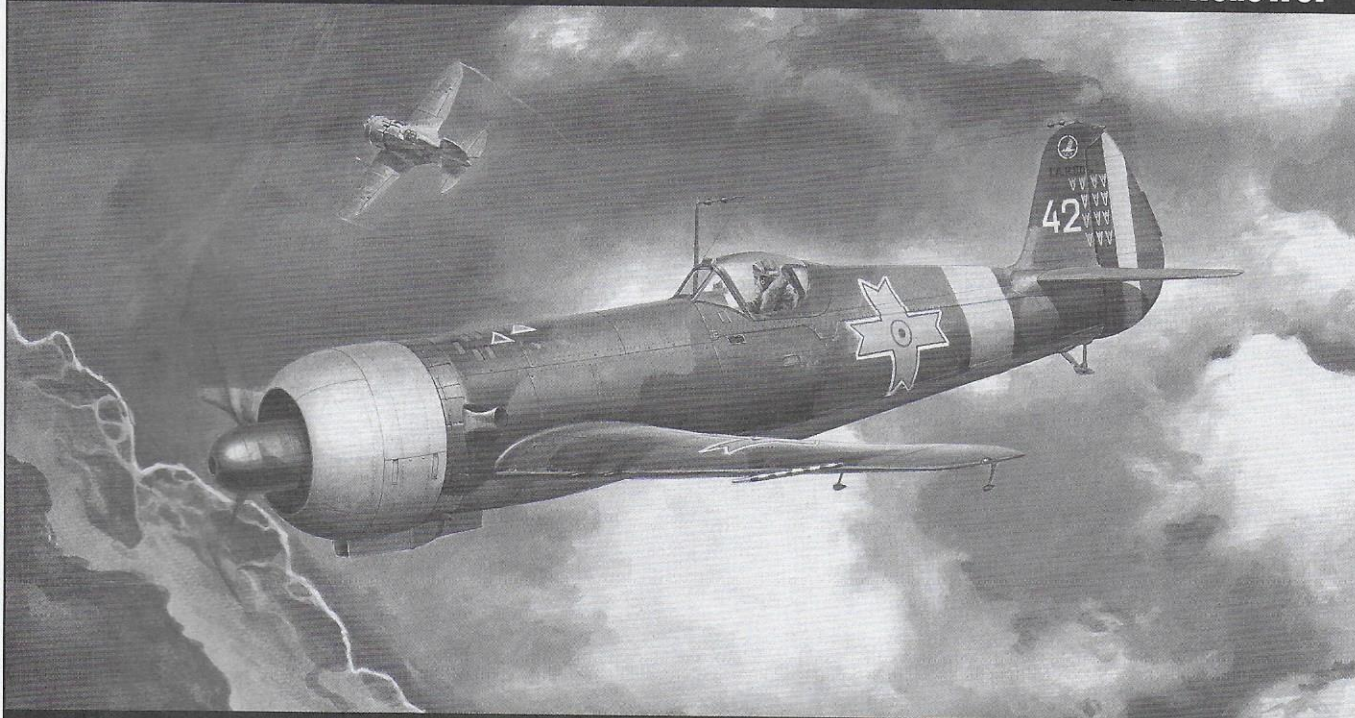
II



NO.:81757

	Color	Mr.Hobby	Vallejo	Model Master	Tamiya	Humbrol
F	金属蓝 Metallic Blue	H 88 76	963	2702	X13	52
G	烧铁色 Burnt Iron	H 76 61	863	1795	X10	53
H	黑铁色 Metal Black	H 18 28	864	1402	--	--
I	胎黑色 Tire Black	H 77 137	--	--	--	--
J	消光黑 Flat Black	H 12 33	950	1749	XF1	33
K	红色 Red	H 3 3	908	1503	X7	19

※ Some paints may not be available in your country. Please check your local hobby shop for substitute



Romanian IAR-80

ルーマニア空軍 IAR-80 罗马尼亚IAR-80战斗机

PLEASE READ BEFORE OPERATION!

- * Tools recommended as below: (Not included)
Adhesives; Paints; Side Cutters; Sharp Edged Pliers; Modeling Knife; Modeling File; Nippers; Drill; Scissors; Sand Paper; Soft Cloth; Cyanoacrylate Glue.
- * Make sure to read this instruction listed below before assembling.
- * The kit contains the small parts, they can be dangerous if swallowed by mistake, so keep them away from reach of children.
- * Cut the all parts off carefully and remove the waste parts into the garbage can.
- * More caution and care should be needed for cutting and handling the photo etched parts.
- * Make attention that some parts should be attached the decal when assembled.
- * During assembling, please tear up and throw away the plastic bags, or may cause the dangerous if wearing over head by children's mistake.
- * When using the adhesives and paints, please do not use them in the closed room or near the fire, also must be very careful to protect your eyes, face and clothes.
- * Adult supervised when assembled by children under 14 years old.

装配前请仔细阅读:

- * 推荐使用的模型工具(请自备):
专用模型胶水, 专用模型油漆, 水口剪刀, 长咀钳, 刀片, 锉刀, 镊子钳, 钻, 剪刀, 软布, 砂纸, 瞬间快干胶等。
- * 用水口剪刀或刀片小心切下所有塑胶零件和蚀刻片零件, 不要遗失小零件。
- * 切取蚀刻片时应特别注意防止利边划伤手指。
- * 用模型锉刀小心锉平所有零件表面的注射浇口。
- * 用适量的强力快干胶水粘合蚀刻片零件和金属轴, 切忌过量, 否则可能导致可动零件被粘住。
- * 注意某些零件表面需在装配时同步贴上水贴纸。
- * 制作时应远离幼儿并将包装袋及时收妥, 谨防小孩玩耍而引起意外。



using ca super glue
使用强力胶



weight
配重



make hole
钻孔



cut / remove
切除



option
选择



no cement
不涂胶水



decal
贴纸



bend
弯曲



repair
填补



install it first
先装

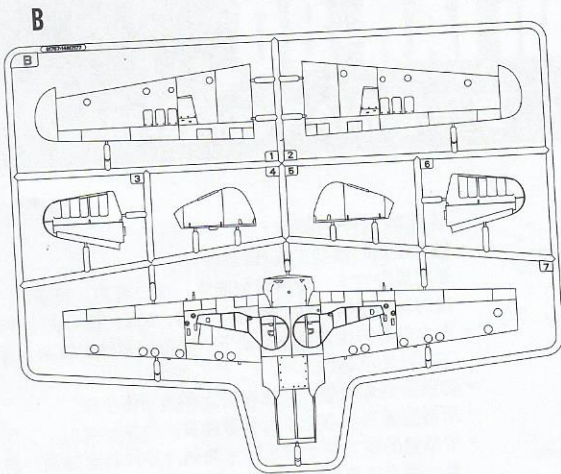
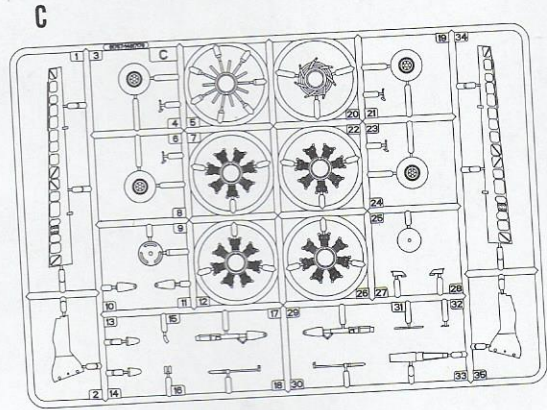
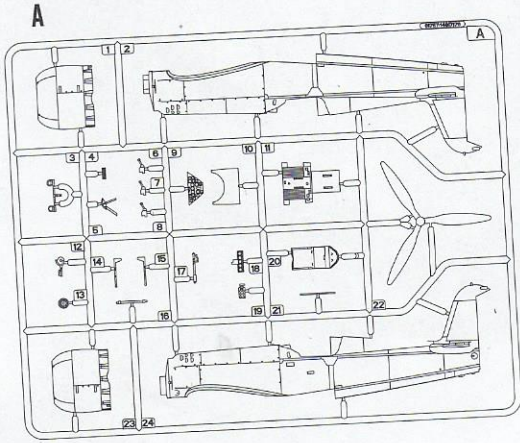
The method to apply the decals

1. Cut off the decal from the decal paper and put it into the warm water 40 C for 10 seconds.
2. Take the decal from the water and put it on a piece of clean cloth.
3. Remove the decal slowly from the paper to the targeted location by a wet finger.
4. Use a piece of dry and soft cloth to press it gently on the decal until it getting dry and no bubble existing.

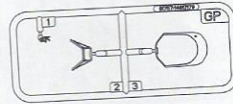
水贴纸的使用方法:

- 一. 把相关的印花从水贴上剪下, 放入40℃左右的温水中浸10秒。
- 二. 然后将印花放在干净的布上。
- 三. 拿上印花纸板, 手指蘸水将印花移到适当的位置。
- 四. 用软干布轻压印花直至水干, 气泡消失。

部品图
Parts



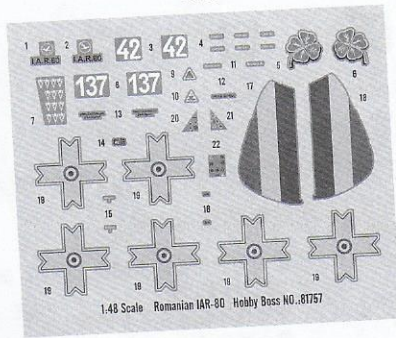
GP



《蚀刻片》
Photo etched parts(PE)



《水贴》
Decal



不用的部件: C32
Unused parts: C32

1
STEP

《座舱》
Cockpit

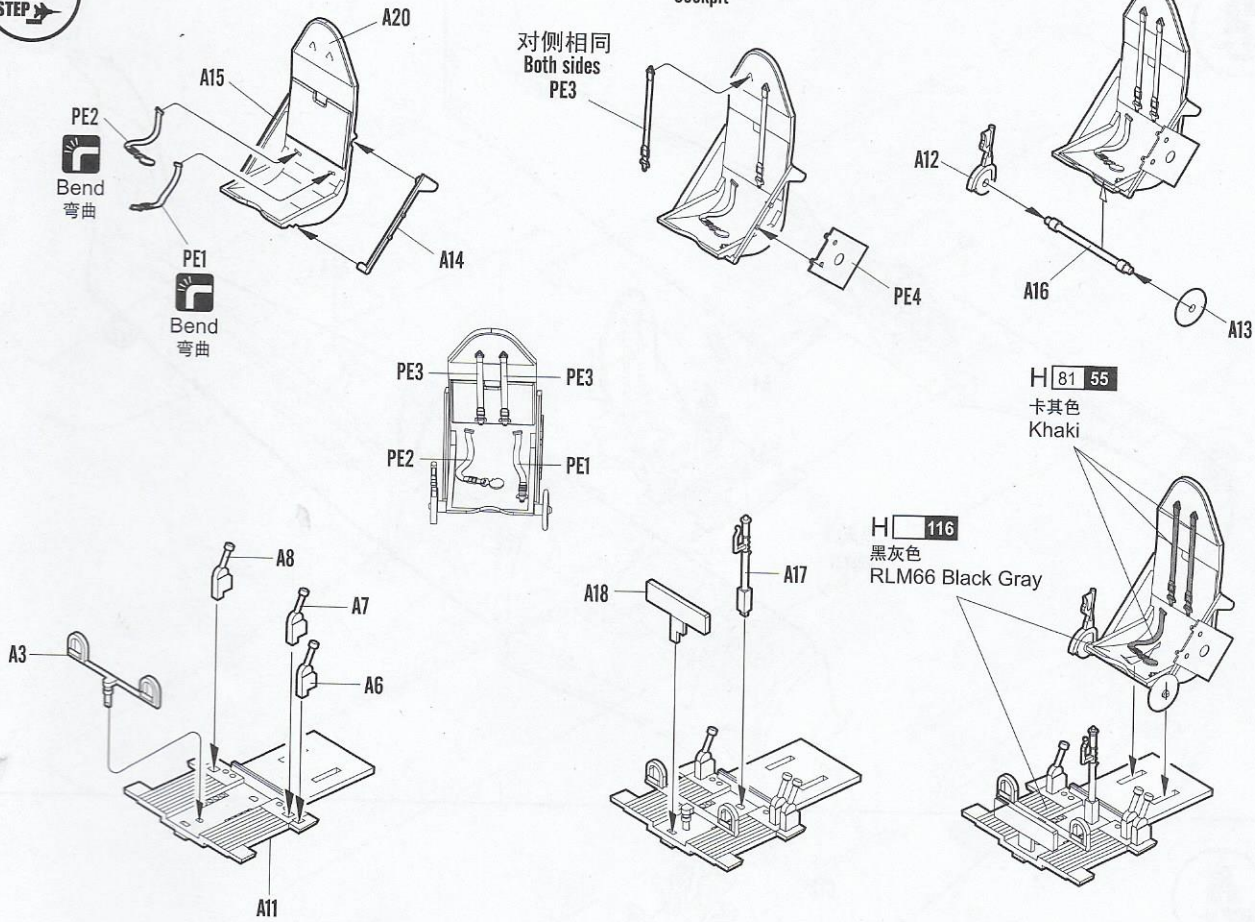
对侧相同
Both sides

PE2
Bend
弯曲

PE1
Bend
弯曲

H 81 55
卡其色
Khaki

H 116
黑灰色
RLM66 Black Gray

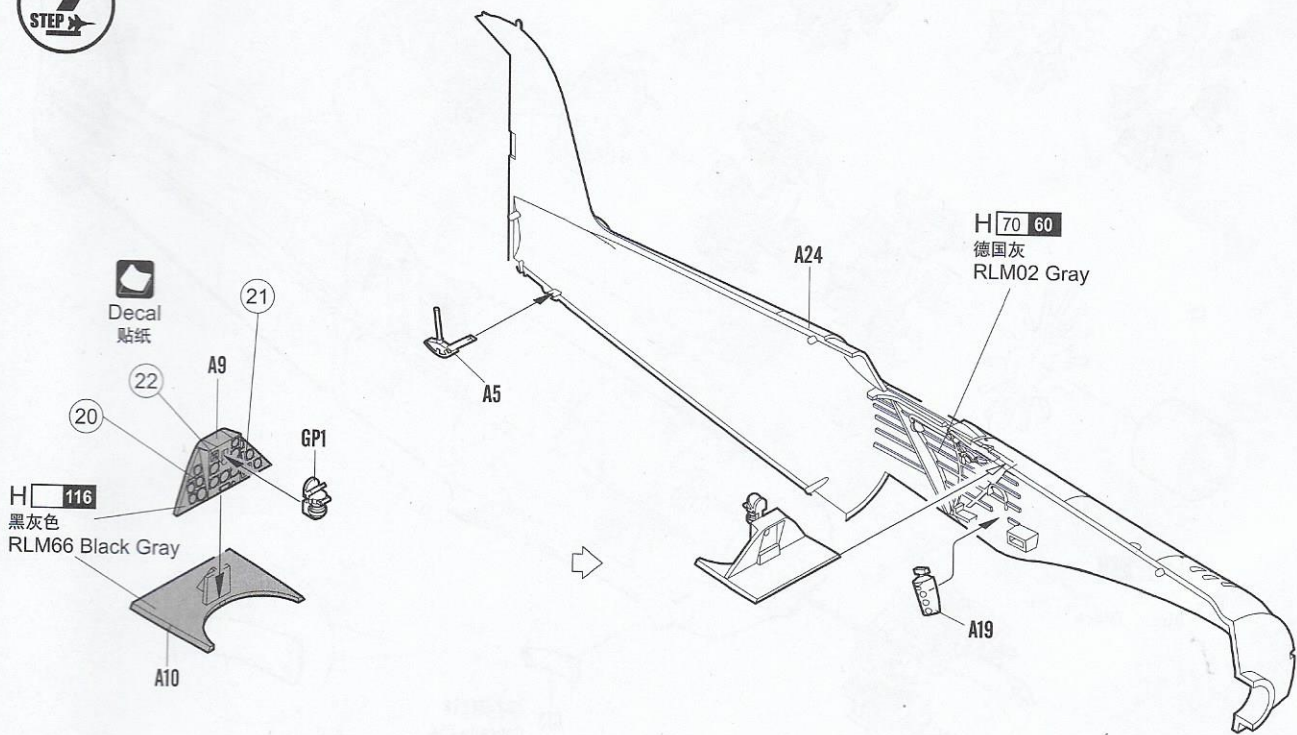


2
STEP

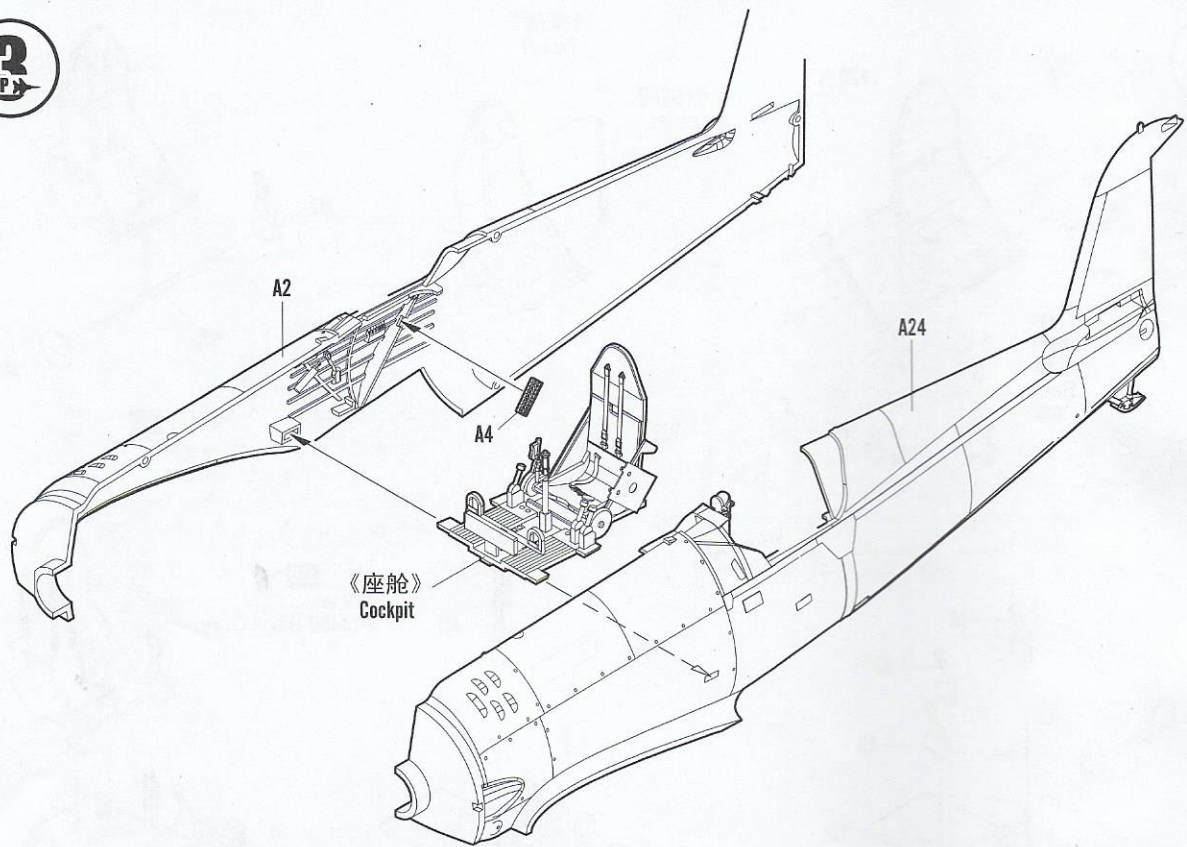
Decal
贴纸

H 116
黑灰色
RLM66 Black Gray

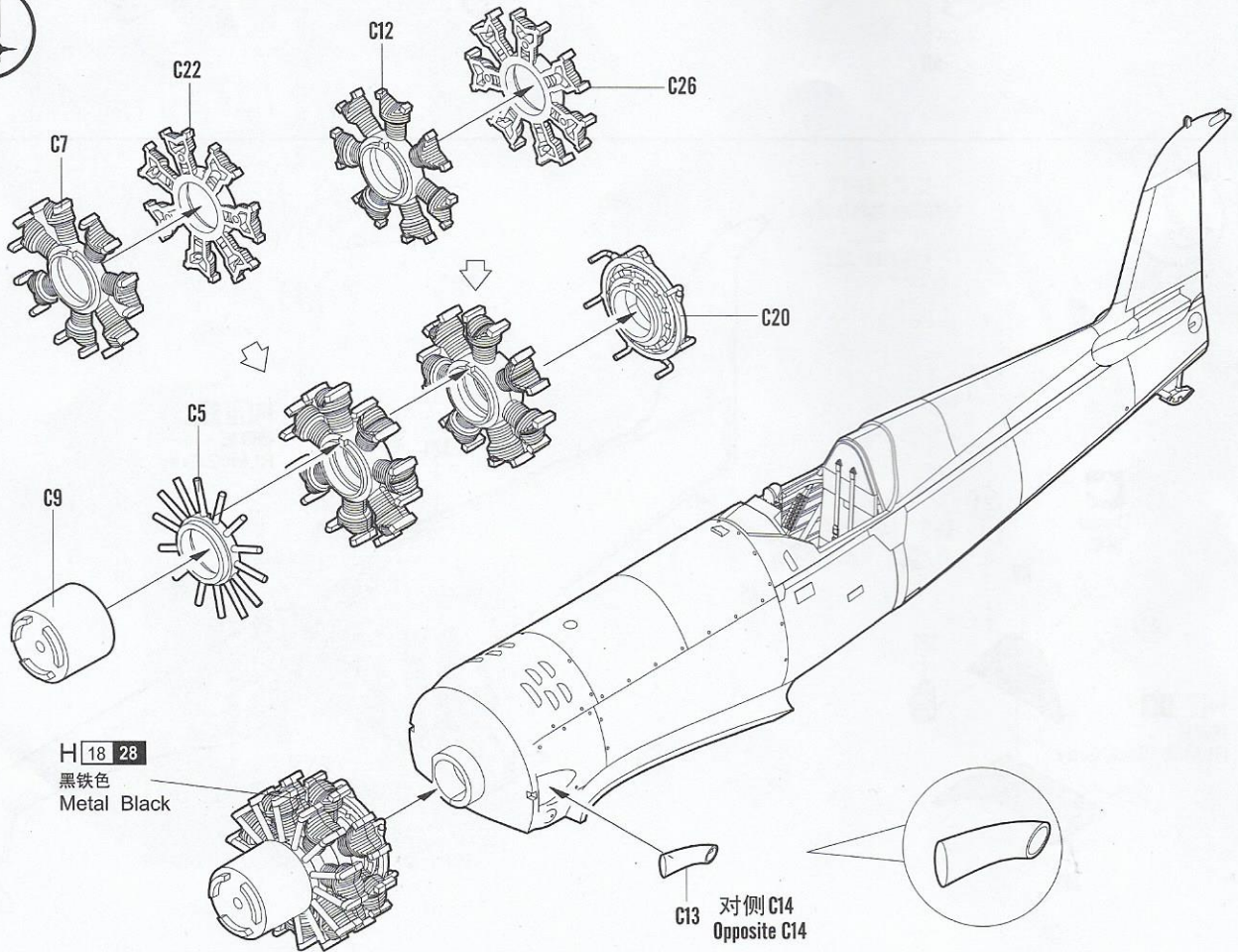
H 70 60
德国灰
RLM02 Gray



3
STEP



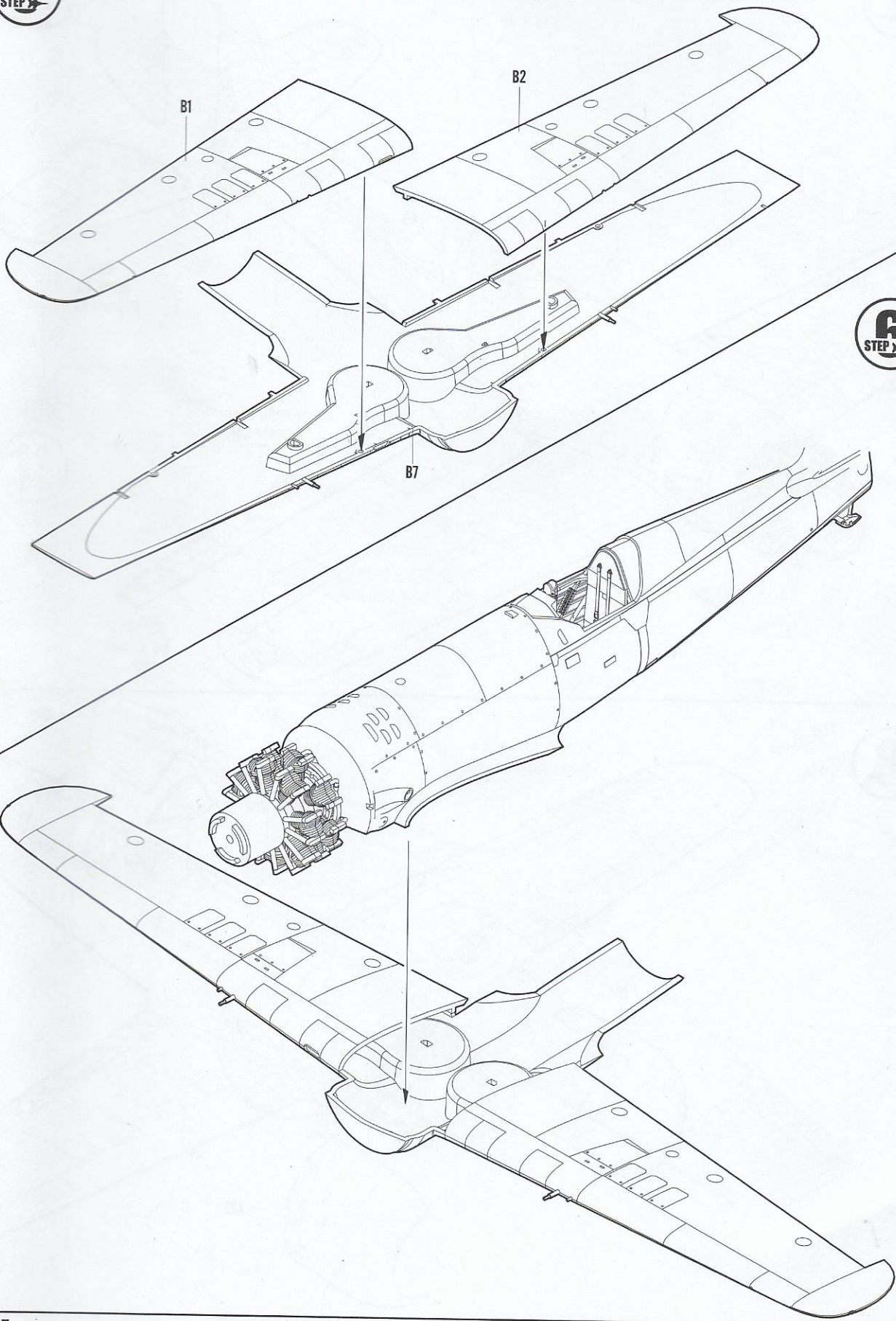
STEP



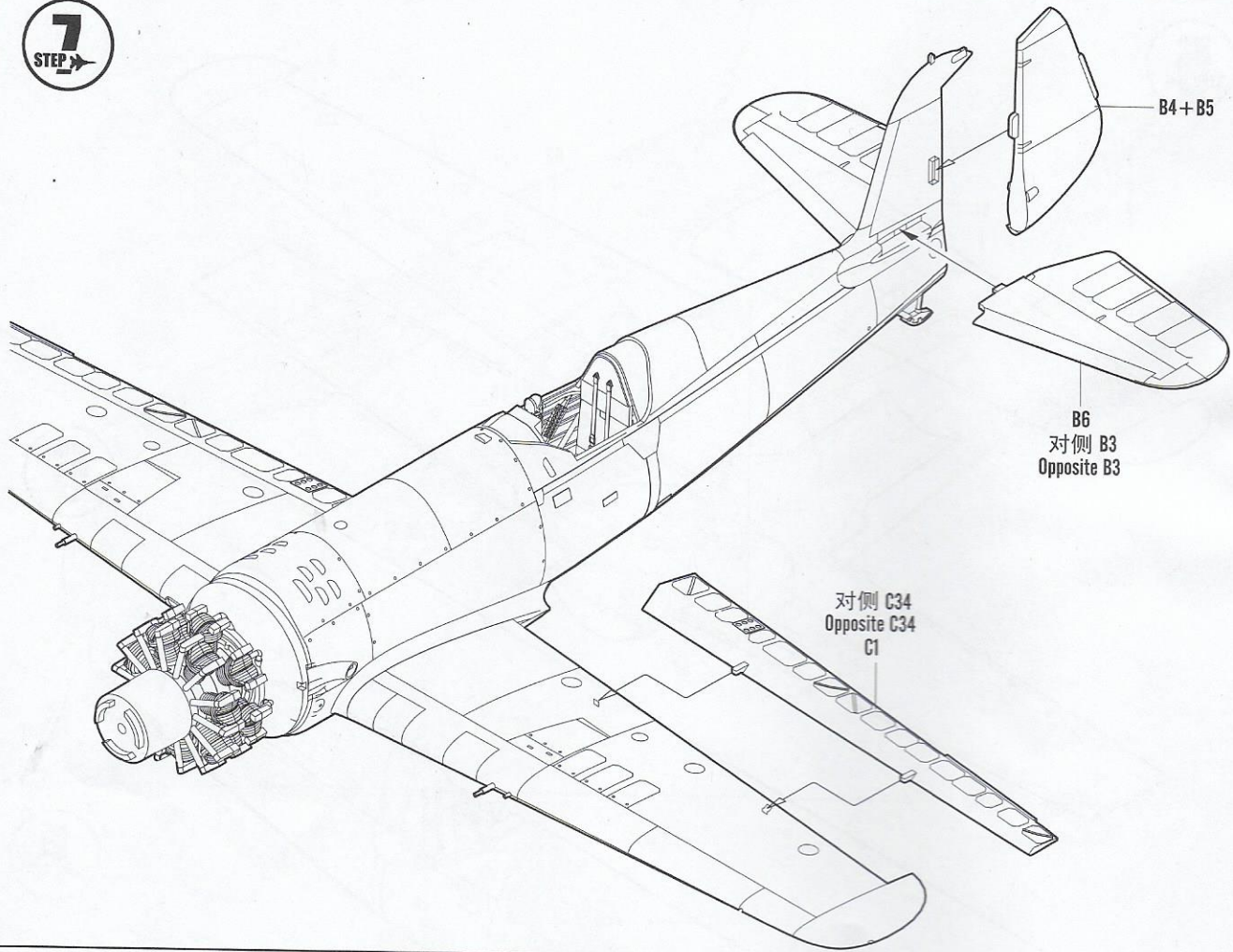
81757

4

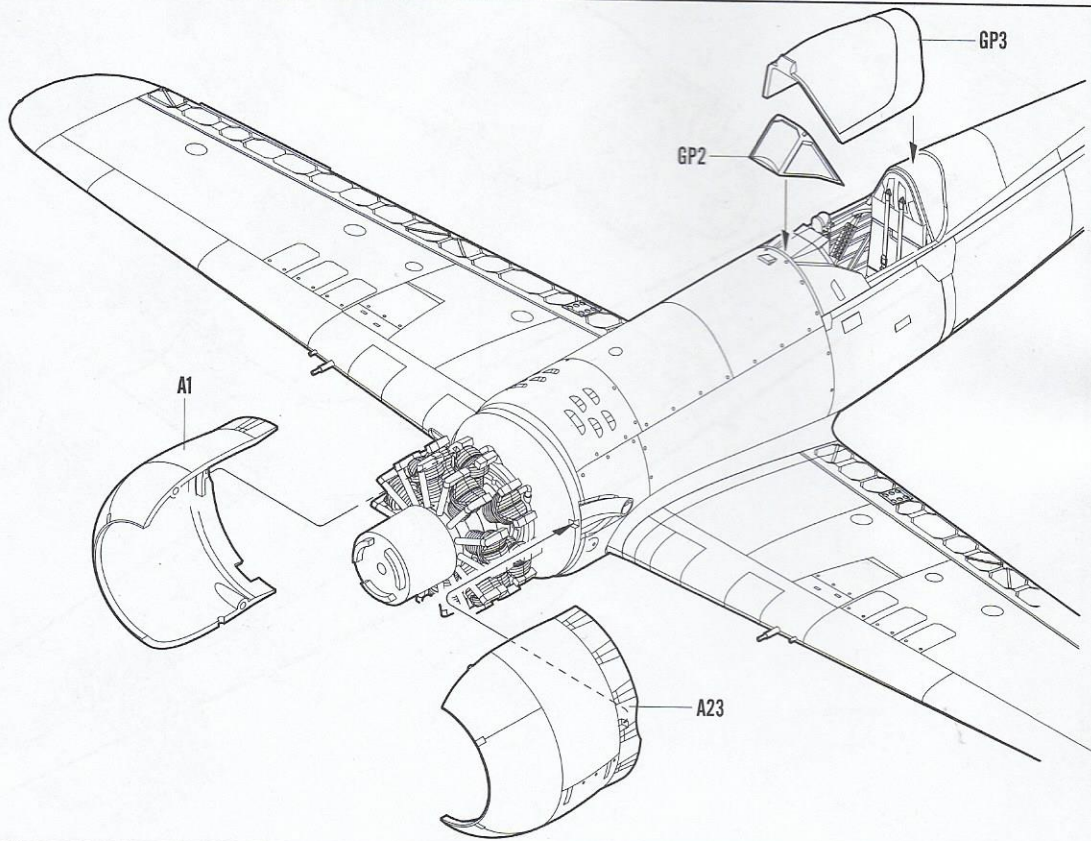
5
STEP



7
STEP



8
STEP

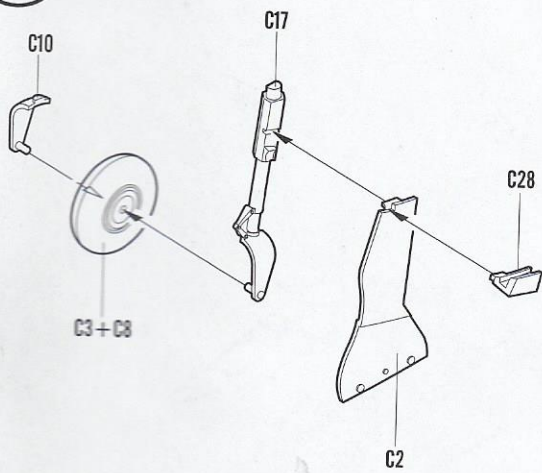


81757

6

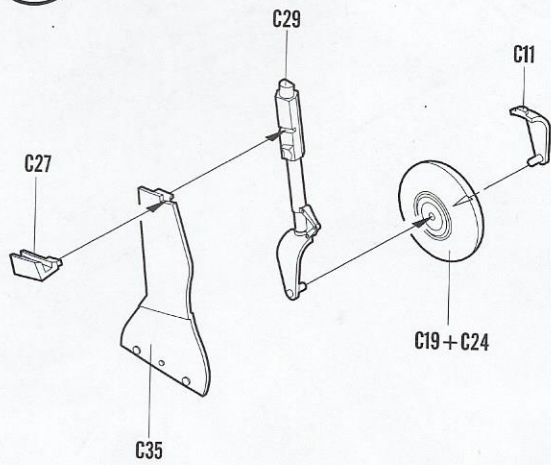
9
STEP

《左侧主起落架》
Left main undercarriage



10
STEP

《右侧主起落架》
Right main undercarriage

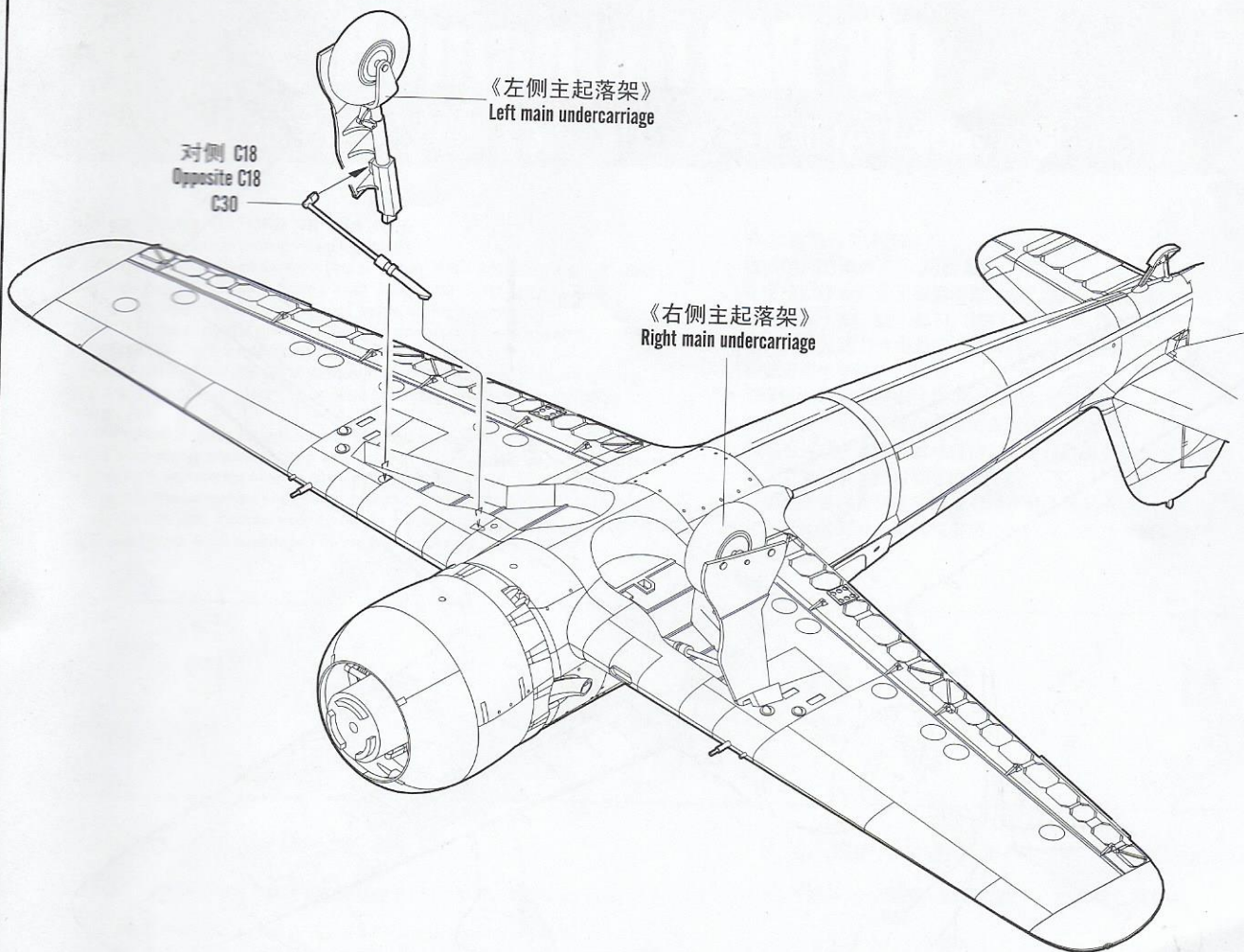


11
STEP

《左侧主起落架》
Left main undercarriage

对侧 C18
Opposite C18
C30

《右侧主起落架》
Right main undercarriage



12
STEP

