


  
**Revell**
  
*Authentic Kits*
  
 THE SCALE OF THIS MODEL IS
   
 1/72 ACTUAL SIZE

H-129 COPYRIGHT 1967 BY REVELL (G.B.) LTD., CRANBORNE ROAD, POTTERS BAR, HERTS. PRINTED IN ENGLAND

# ROYAL NAVY PHANTOM II F-4k

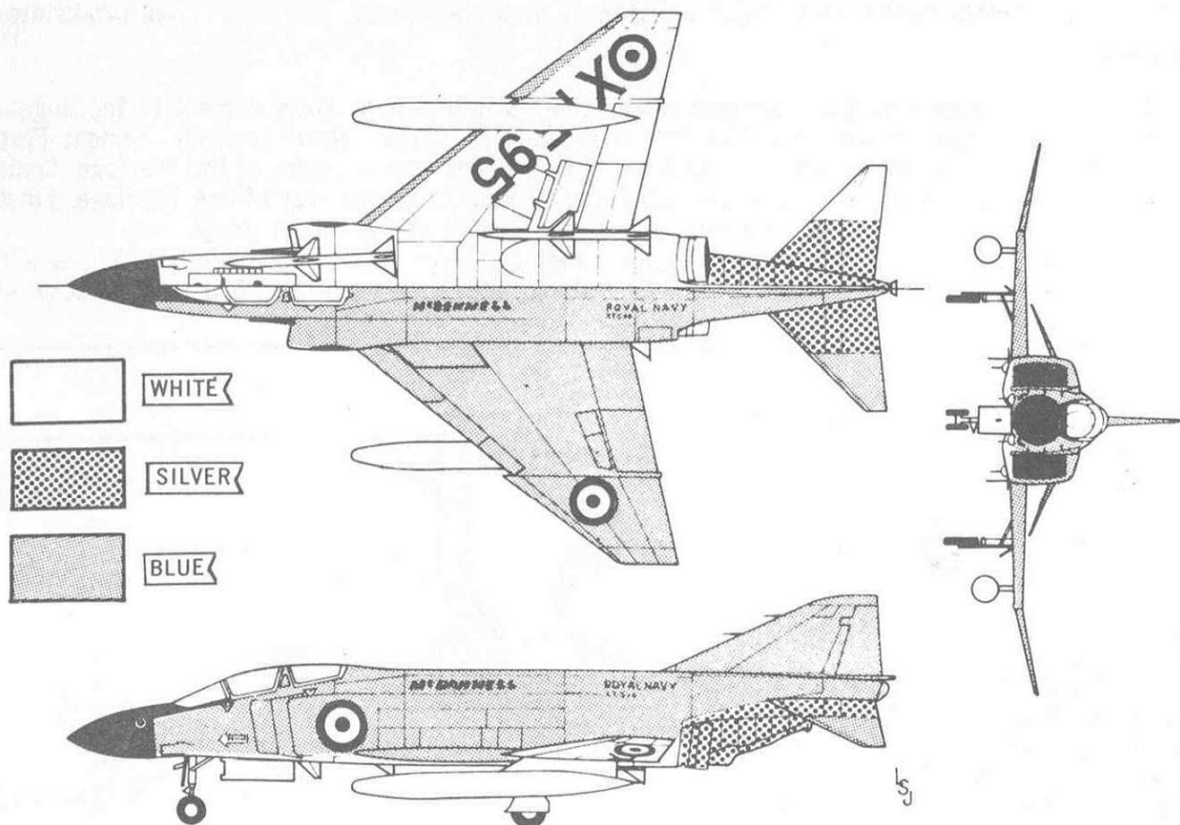
**THE FANTASTIC PHANTOM** Shortly after the McDonnell F-4 Phantom II went into operation with the U.S. Navy, it became apparent that here was an outstanding aircraft of remarkable performance characteristics. It was soon adopted by the U.S. Air Force and became the most important fighter in the United States air arsenal. Nothing short of "fantastic" describes the Phantom II. Its drooping tail surfaces and upswept wingtips combine to make it one of the most distinctive shapes in the sky.

**AN INTERNATIONAL WEAPON** The brilliant performance of the Phantom II attracted the attention of the British Royal Navy, who adapted it to their use. The British version of the Phantom II, designated F-4K, is distinguished by the installation of two Rolls-Royce Spey fanjet engines which increase its capabilities.

**FASTER AND HIGHER** Although the actual performance figures for the F-4K have not been released, it is known to have a top speed greater than 1,600 miles per hour. Earlier versions of the F-4 have been flown to altitudes over 100,000 feet and it can fly higher and faster than any operational aircraft in the Free World. With the more powerful Spey engines, new records can be expected from the Royal Navy's Phantom II.

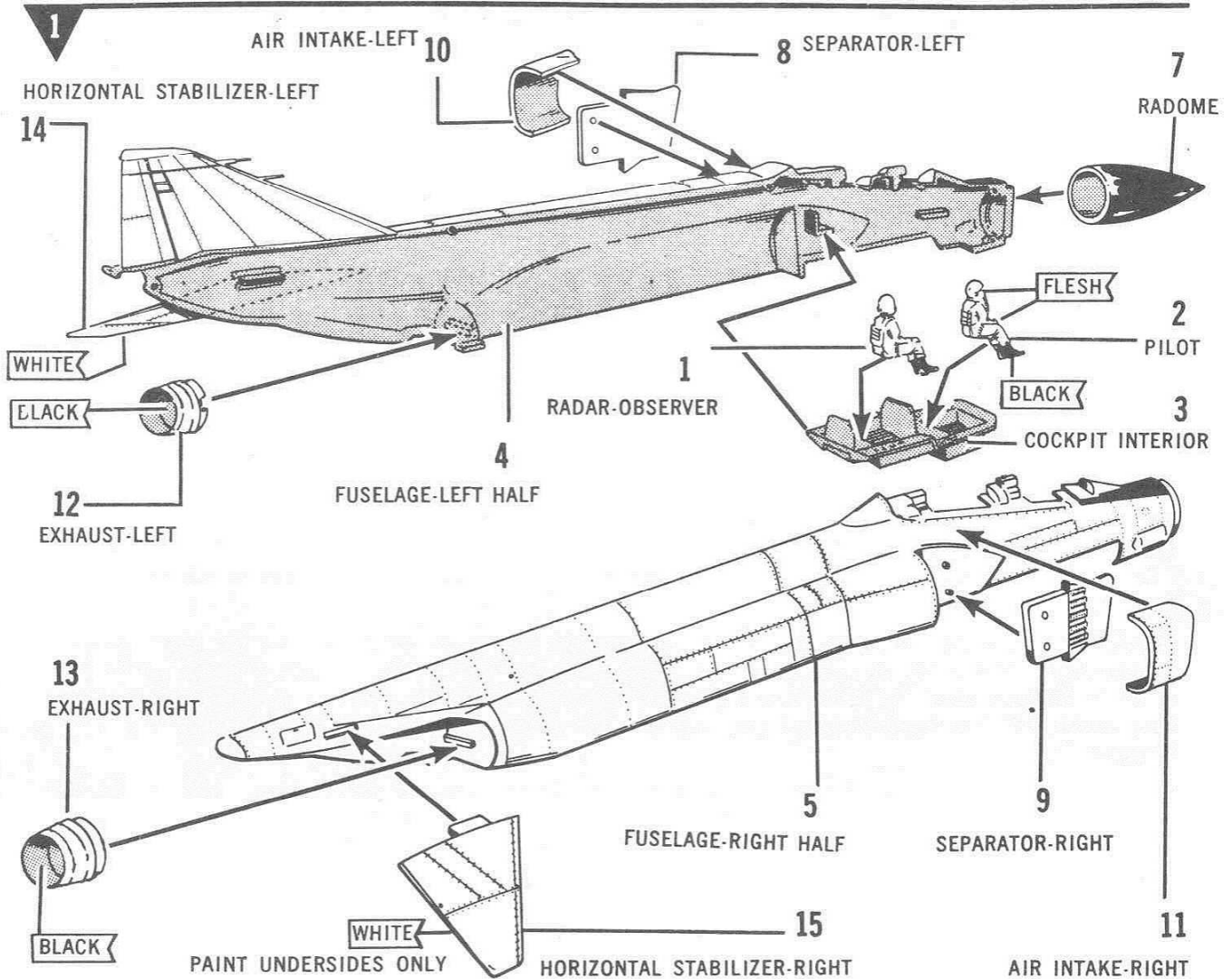
The nose of the F-4K is hinged to shorten the aircraft's overall length when using the 54 foot elevator on British carriers. To improve the take-off characteristics, the nose wheel strut may be lengthened hydraulically.

**SPECIFICATIONS** Wingspan 38'4" Length 58'3" Operational Ceiling, over 60,000 feet  
 Power Plant 2 Rolls-Royce MK 201 Spey fanjets.



## FOR BEST RESULTS, READ THIS FIRST.

This kit is molded of styrene plastic. REVELL CEMENT & PAINTS are made especially for use with this material. Always fit parts together to be assured of proper assembly before cementing. Before assembling, paint parts as indicated **SILVER** and allow to dry. Avoid spilling cement or paint, on clothing, or furniture.

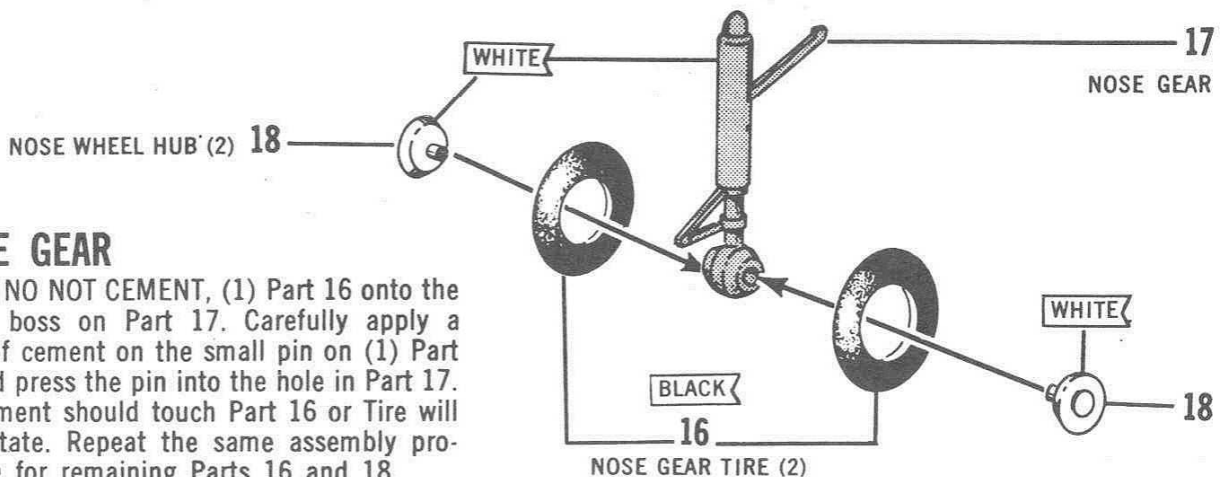


## FUSELAGE

Cement Part 1 and 2 onto Part 3. Locate and cement Part 3 into Part 4. Apply cement to the edges of Parts 4 and 5, press Parts together locating Part 3 properly as shown. Now, carefully cement Part 7 to the front of the Fuselage. Next, cement Parts 8 and 9 to the right and left sides of the Fuselage. Cement Parts 10 and 11 to Parts 8 and 9. Now, cement Parts 12 and 13 to the rear of the Fuselage. Finally, cement Parts 14 and 15 into place, being careful they are located at the proper angle.

**NOTE:** if you wish to assemble your model with the Landing Gear extended, complete STEPS 2 & 3 but if you want your model in a Flying Attitude with Gear concealed — skip STEPS 2 & 3; and proceed with STEP 4.

**2**



## NOSE GEAR

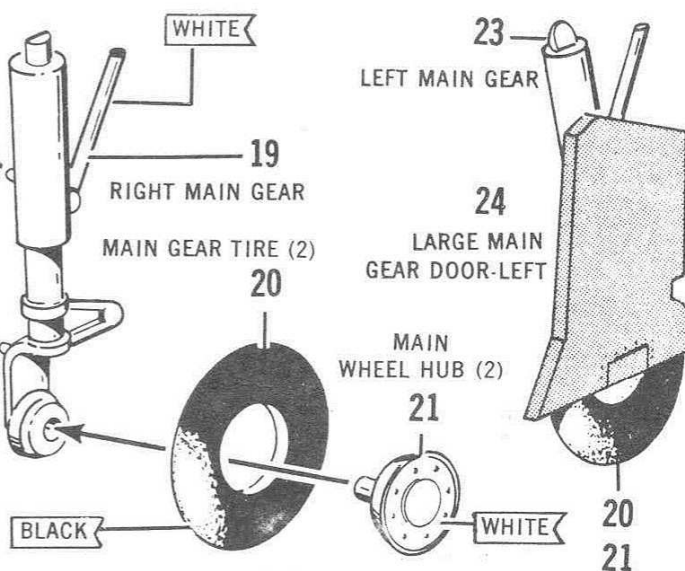
Place, **NO NOT CEMENT**, (1) Part 16 onto the round boss on Part 17. Carefully apply a drop of cement on the small pin on (1) Part 18 and press the pin into the hole in Part 17. No cement should touch Part 16 or Tire will not rotate. Repeat the same assembly procedure for remaining Parts 16 and 18.

3

WHITE 22  
LARGE MAIN GEAR DOOR-RIGHT

### MAIN GEAR

Place, NO NOT CEMENT, (1) Part 20 onto the round boss of Part 19. Carefully apply a drop of cement onto the small pin on (1) Part 21 and press it into the hole in Part 19. No cement should touch Part 20 and the Tire will rotate. Cement Part 22 to Part 19. Repeat the same assembly procedure for remaining Parts 20, 21, 23 and 24.



4

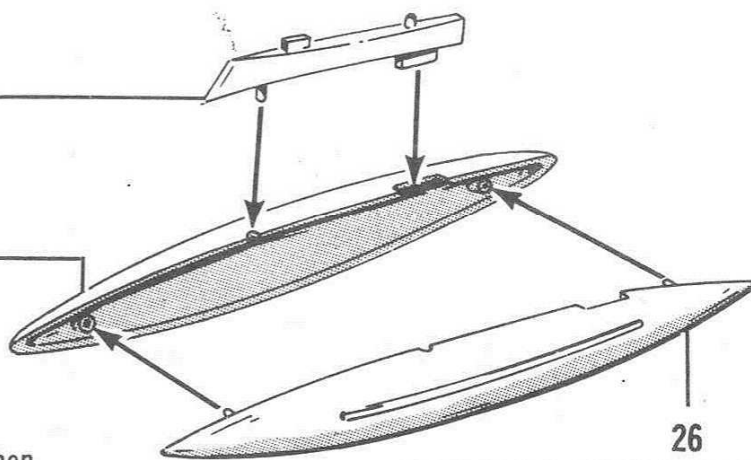
WHITE 27  
FUEL TANK PYLON (2)

WHITE 25  
FUEL TANK-RIGHT HALF (2)

WHITE 26  
FUEL TANK-LEFT HALF (2)

### FUEL TANK

Cement (1) Part 25 to (1) Part 26, then cement (1) Part 27 in place. Make (2) sets.



5

WING-RIGHT  
UPPER SECTION

28

PAINT  
UNDERSIDES ONLY

WHITE

WING-LOWER SECTION

29

STAND LOCATING SLOT

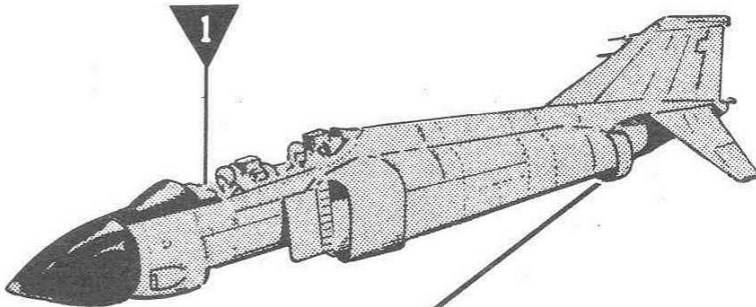
WHITE PAINT UNDERSIDES ONLY

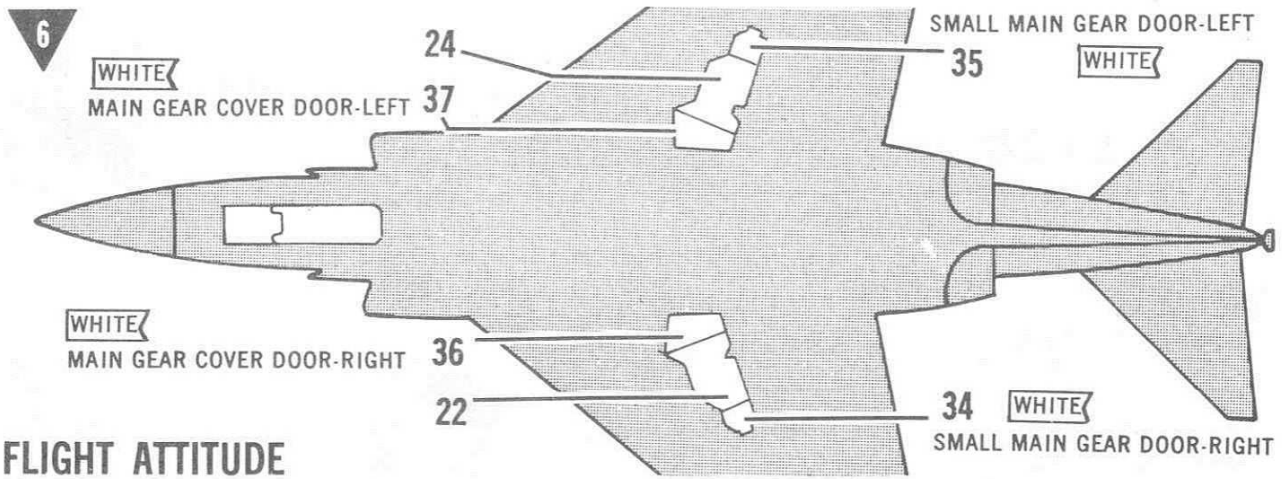
WING-LEFT UPPER SECTION

30

### WING AND FUSELAGE

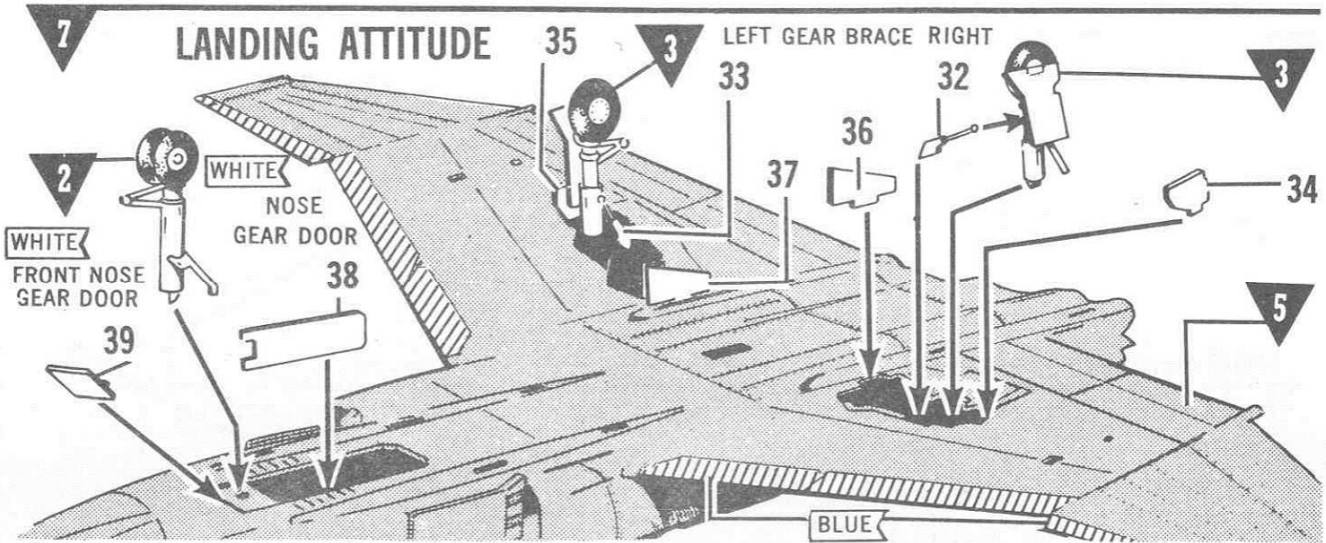
If you want to display your model on the Stand provided, be sure to open Stand locating slot prior to assembly of Wing and Fuselage. Cement Part 28 to Part 29 and Part 30 to Part 29. Carefully, cement Assembly 1 down onto Part 29 and let dry thoroughly.



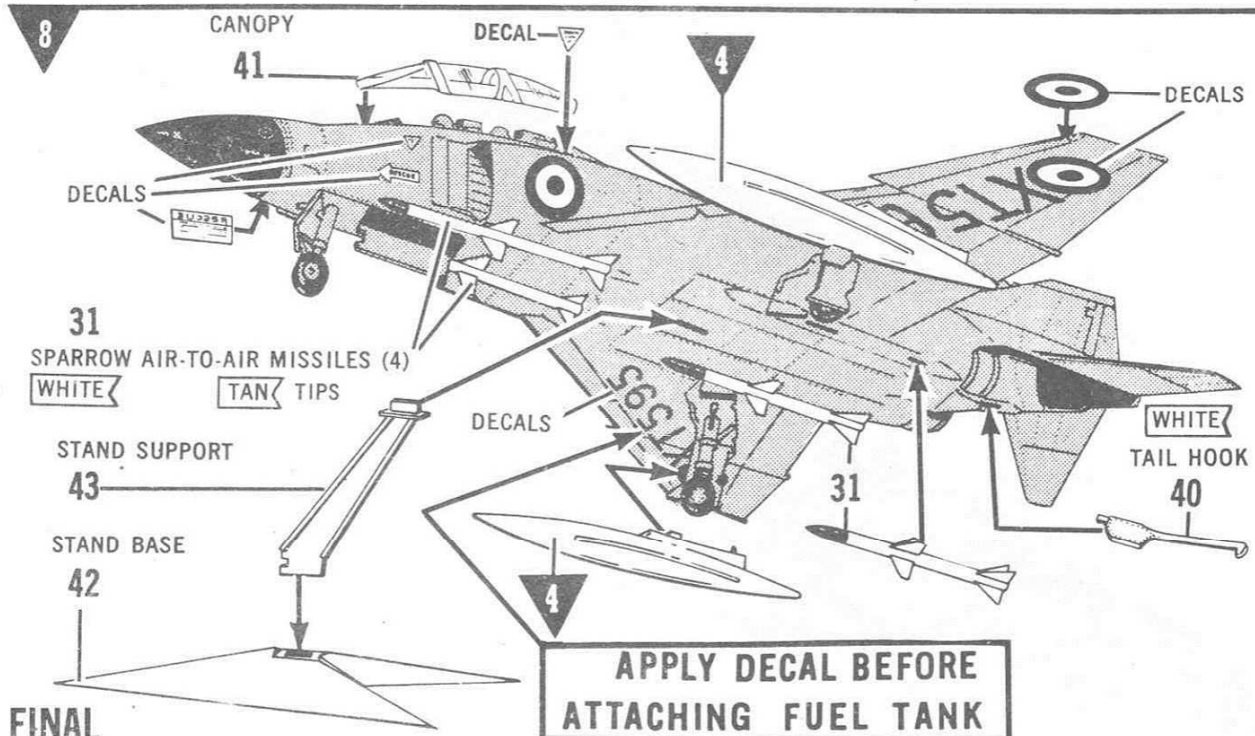


## FLIGHT ATTITUDE

If you are building your model in a flight attitude, complete this step, but if you want the Landing Gear extended, DO NOT complete this step and go on to STEP 7.



Turn model upside down and cement the Right Main Gear into Assembly 5. Next, cement Parts 32, 34 and 36 into place. Repeat the same procedure for the Left Main Gear using Parts 33, 35 and 37. Now, cement the Nose Gear into place and cement Parts 38 and 39 into place.



## FINAL

Cement (4) Parts 31 into place on the underside of Fuselage. Apply Bottom Wing Decal and let dry before attaching Assemblies 4. Cement (2) Assemblies 4 into place as shown. Now, cement Part 40 to the rear of the model in either the UP or DOWN position. Carefully, cement Part 43 into Part 42 and let dry thoroughly. Place, or cement model down onto Part 43. See the 3-View Drawing on the opposite side of sheet for further Painting Suggestions and Decal placement.