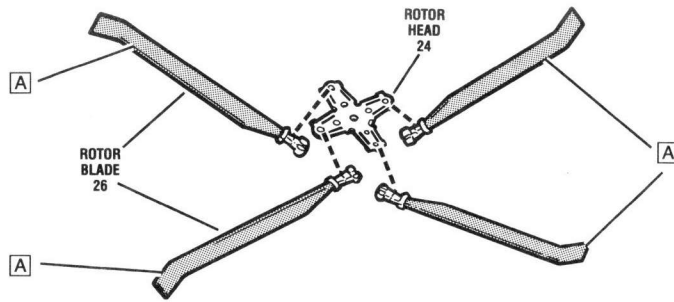
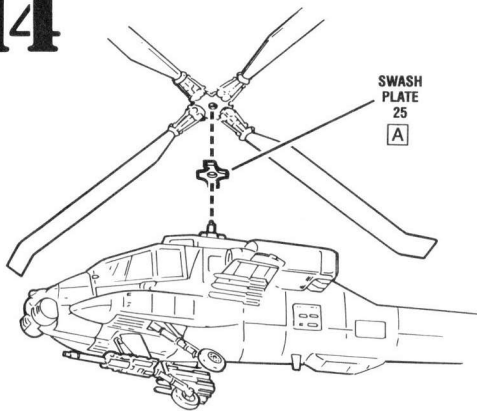


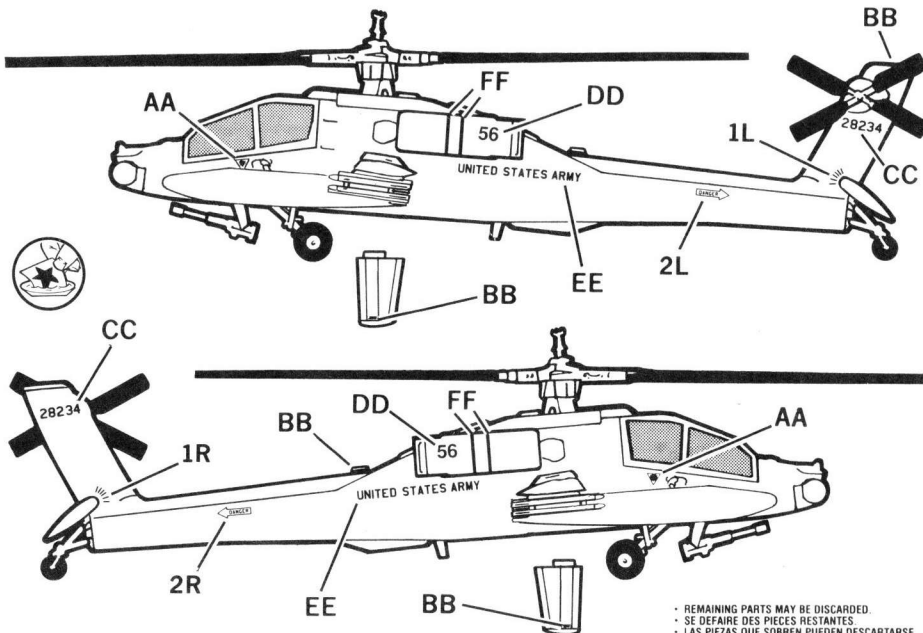
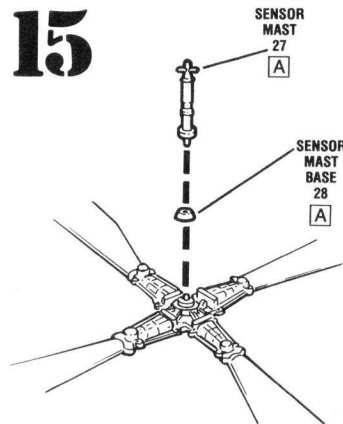
13



14



15



• REMAINING PARTS MAY BE DISCARDED.
• SE DÉFAIRE DES PIÈCES RESTANTES
• LAS PIEZAS QUE SOBREN PUEDEN DESCARTARSE.

Revell

KIT 4089

AH-64 APACHE

1/100 SCALE

1/100 ECHELLE

ESCALA 1/100

REVELL, INC. Des Plaines, IL Copyright © 1990 All rights reserved. Printed in U.S.A. 4089 R 4200

The lethal AH-64 "Apache" is an airborne tank killer without equal. It is equipped with avionics and weapons systems that are so advanced that they border on the realm of science fiction. The AH-64 is equipped with a futuristic night vision system that allows the pilot to fly through total darkness at combat speeds. The sophisticated AH-64 "Apache" provides U.S. Army pilots with a modern weapons system capable of combat in the high threat territory of today's battlefields. Concurrently, it serves as a lethal menace to Soviet military planners.

Designed to counter the threat from the most advanced Soviet main battle tanks, the AH-64 can be equipped with 16 laser-guided "Hellfire" anti-tank missiles. Each of these potent weapons possesses an effective range of three miles.

For protection from airborne attack, and as an effective close air support weapon, the "Apache" is armed with an optically-guided 30-millimeter chain gun capable of sustained fire at a rate in excess of 600 rounds per minute. The advanced fire control system includes a helmet-mounted targeting system that enables the pilot to aim the cannon simply by looking at the threatening target. The same system can also be used to acquire and lock-on to targets for the "Hellfire" missiles.

The "Apache" can be configured with a wide range of ordnance including rocket pods armed with 2.75-inch folding fin rockets. At a cost in excess of 9.9 million dollars, the AH-64 "Apache" is the most advanced armed attack helicopter ever built.

The Revell "Apache" is a highly-detailed replica modeled in 1/100th scale. It is molded in olive drab and clear plastic, and includes a detailed two-place cockpit, rotating main rotor, and external armament. The rough terrain main gear is accurately reproduced, and each kit contains authentic markings.

READ THIS BEFORE YOU BEGIN

- Study the assembly drawings.
- Each plastic part is identified by a number.
- Check the fit of each piece before cementing in place.
- Do not use too much cement to join parts.
- Use only cement for polystyrene plastic.
- Model may be painted to match photos on box.
- Allow paint to dry thoroughly before handling parts.
- Scrape paint from areas to be cemented.
- For better paint and decal adhesion, wash the plastic parts in a mild detergent solution. Rinse and let air dry.

LISEZ CE QUI SUIT AVANT DE COMMENCER LE MONTAGE

- Etudier les schémas d'assemblage.
- Chaque pièce plastique porte un numéro d'identification.
- Contrôler que chaque pièce soit bien conforme avant de la coller à sa place.
- N'utilisez pas trop de colle pour réunir les pièces.
- N'utilisez qu'une colle spéciale pour polystyrène.
- Le modèle peut être peint conformément aux photos sur la boîte.

- Laissez sécher la peinture complètement, avant de manipuler les pièces.
- Grattez la peinture sur les surfaces devant être collées.
- Pour assurer la meilleure adhésion possible de la peinture et des décalcomanies, lavez les pièces de plastique avec une légère solution savonneuse. Rincer et laisser sécher à l'air.

LEA ESTO ANTES DE EMPEZAR

- Estudie los dibujos de ensamblaje.
- Cada pieza de plástico se identifica por un número.
- Verifique que cada pieza encaje bien antes de pegar en posición.
- No use demasiado pegamento para unir las piezas.
- Use únicamente pegamento para plástico de poliestirena.
- El modelo puede pintarse de acuerdo con las fotografías de la caja.
- Permita que se seque la pintura completamente antes de tocar las piezas.
- Raspe la pintura de las superficies que serán pegadas.
- Para una mejor fijación de la pintura y de las calcomanías, lávase las piezas plásticas en una solución de detergente suave. Enjuáguese y déjense secar al aire.

A	FLAT BLACK	NOIR TERNE	NEGRO APAGADO
B	METALLIC	METALLIC	METALICO
C	OLIVE DRAB	VERT OLIVE	ACEITUNADO

Revell, Incorporated has put forth every effort to create and manufacture the finest model kit available. If a part may be missing, please write to:

Revell, Incorporated
Consumer Service Department
395 North Third Avenue
Des Plaines, Illinois 60016

Be sure to include the kit number, part number, description, and your return address.



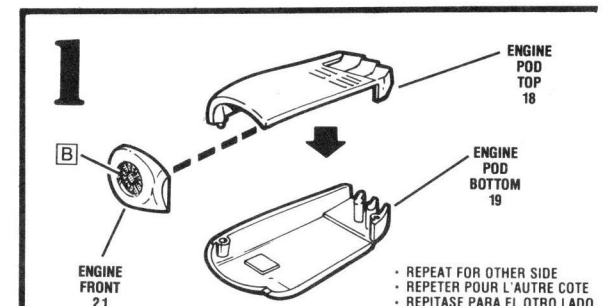
DECAL (DIP IN WATER)
DECALCOMANIE (A PLONGER DANS L'EAU)
DECALCOMANIA (MOJE CON AGUA)



DO NOT CEMENT
NE PAS COLLER
NO USE PEGAMENTO



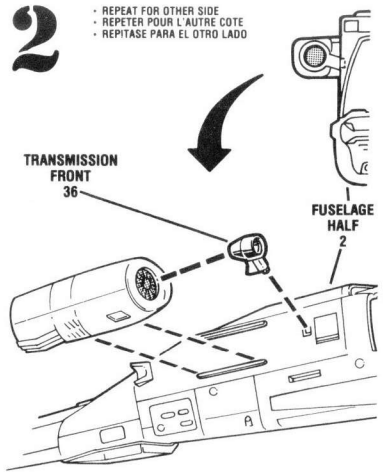
REPEAT SEVERAL TIMES
A REPETER PLUSIEURS FOIS
REPITA VARIAS VECES



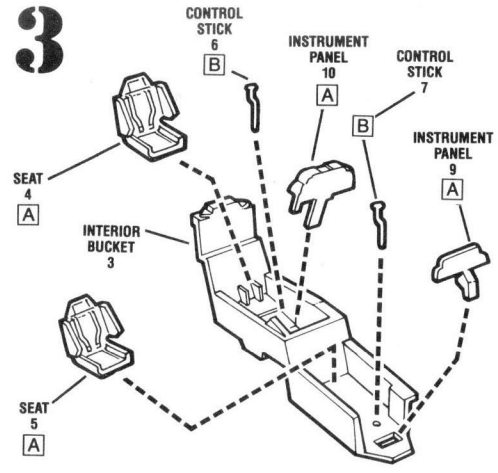
• REPEAT FOR OTHER SIDE
• REPETER POUR L'AUTRE COTE
• REPITASE PARA EL OTRO LADO

2

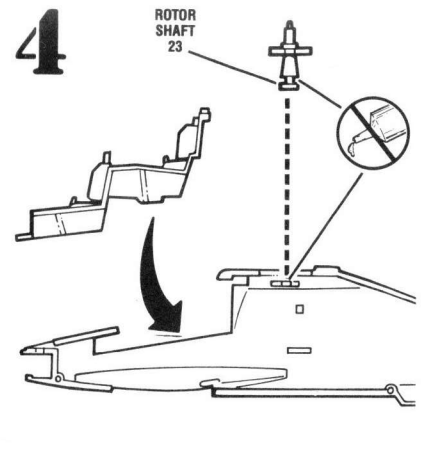
• REPEAT FOR OTHER SIDE
• REPETER POUR L'AUTRE COTE
• REPITASE PARA EL OTRO LADO



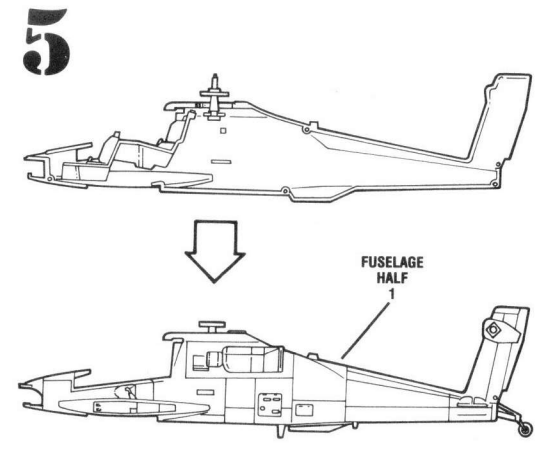
3



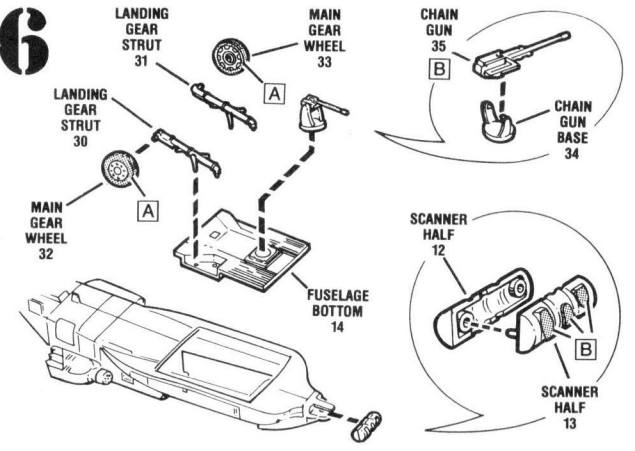
4



5

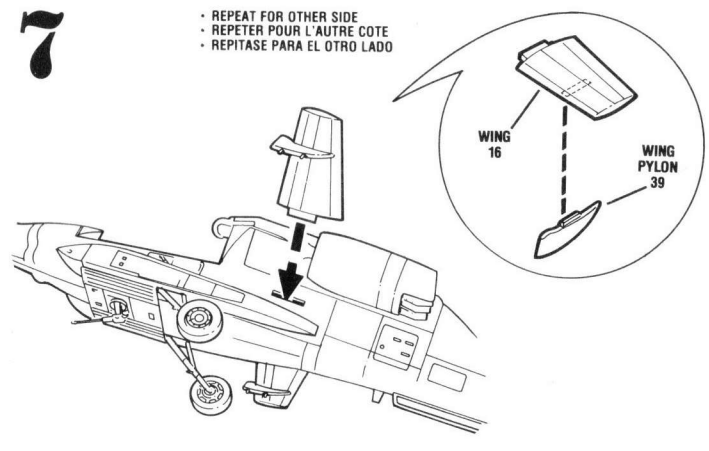


6

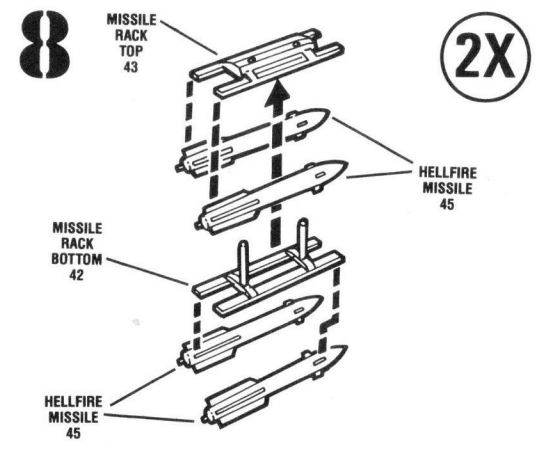


7

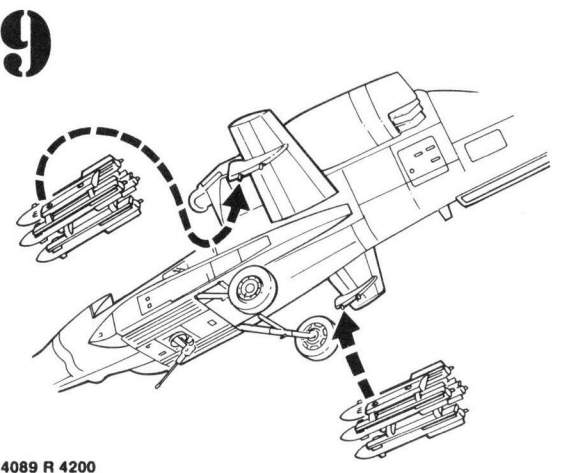
• REPEAT FOR OTHER SIDE
• REPETER POUR L'AUTRE COTE
• REPITASE PARA EL OTRO LADO



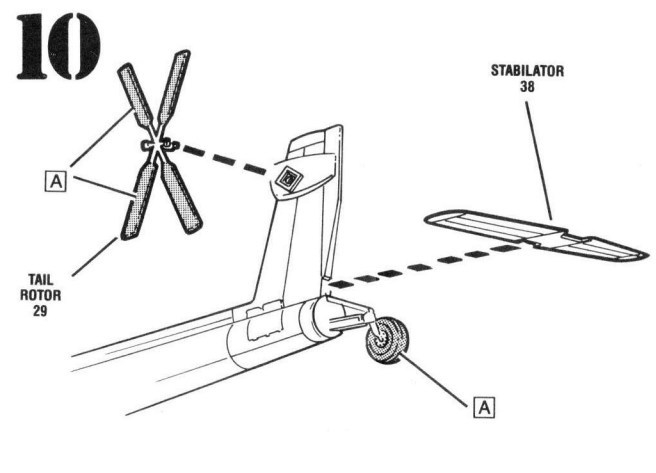
8



9



10



11

