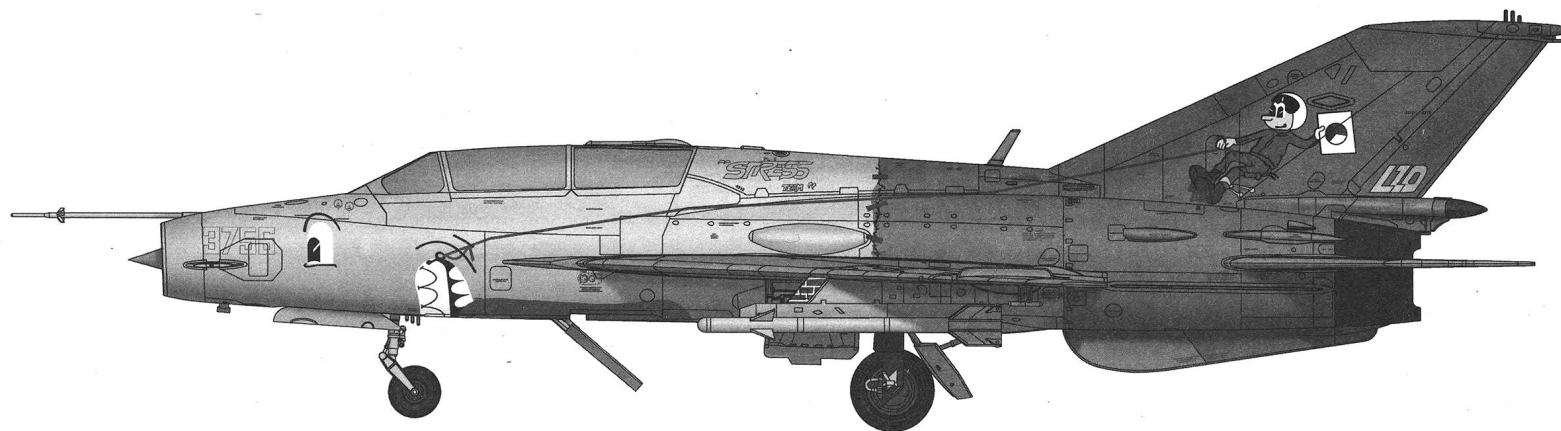


1/48 scale

ITEM NO.:02865



MiG-21UM

米格-21UM教练机

READ BEFORE ASSEMBLY:

- This kit is not recommended for inexperienced modelers or for children under 14 years of age
- Study and understand these instructions thoroughly before beginning assembly
- When needed, remove photo-etch parts carefully using a modeling knife or photo etch sprue cutter, being careful not to damage or lose small parts.
- Take extra care in handling photo etch parts in order to avoid injury
- Apply instant cement sparingly to photo etch parts where instructed

- Tools recommended(not included in kit):Plastic and instant cements,sprue cutters,long nose pliers,,modeling knife, small files, tweezers, pin vise & scissors. Soft cloth and sandpaper will also assist in construction
- Glue and paint are not included in the kit. Use plastic cement and hobby paints only. Color guide for purchasing paint is included in the kit.
- Keep out of reach of small children. They must not be allowed to ingest small parts or handle plastic bags in any way.

装配之前仔细阅读

- 小心用模型锉刀锉平所有零件表面的注射浇口。
- 小心用刀片切下蚀刻片零件，不要遗失小零件。
- 用强力快干胶水粘合蚀刻片零件和金属轴。过量的快干胶水使用可能导致可动零件会粘住，小心涂胶。
- 取蚀刻片时应特别注意安全，防止利边划伤手指。
- 某些零件表面需贴水上贴纸，请选择在装配的同时进行。
- 推荐模型工具(自备)：胶水，水口剪刀，长咀钳，刀片，锉刀，镊子钳，钻，剪刀，瞬间快干胶。
- 软布同砂纸同时也应该是必备工具。
- 请使用塑料胶水和油漆，模型内不含。
- 谨防小孩吸吮塑料零件，或者将塑料袋套在头上，制作时应将套材远离小孩接触。
- 本产品不适合14岁以下没有经验的模型爱好者。

水贴纸的使用:

1. 从水贴纸上剪下印花;
2. 将印花放入温水中浸10秒，然后放在干净布上。
3. 拿着印花纸板将印花移到模型上;
4. 手指蘸水将印花移到适当的位置;
5. 用软布轻压印花直至水干，气泡消失。

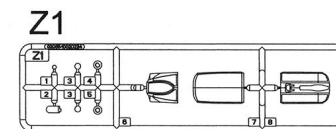
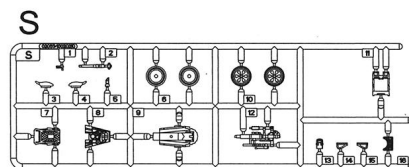
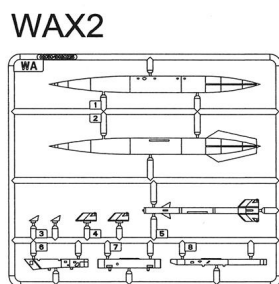
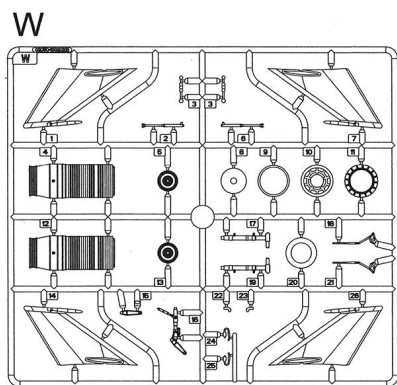
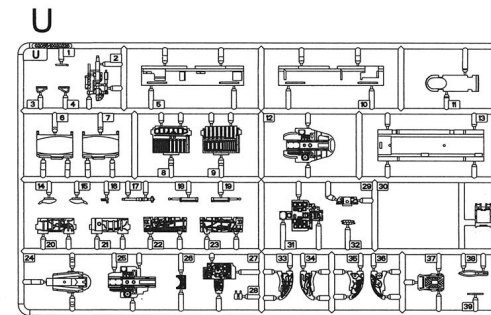
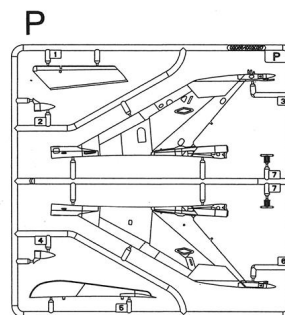
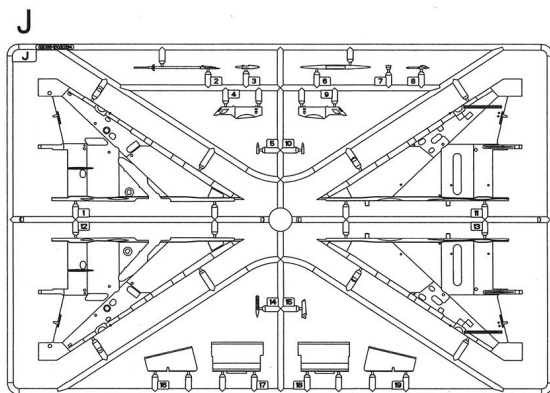
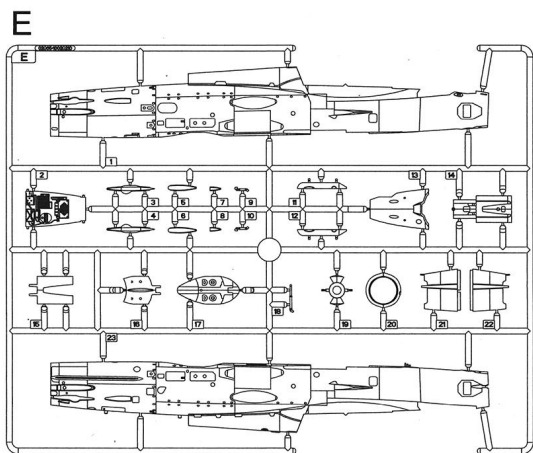
DECAL APPLICATION:

1. Cut decals from sheet as needed
2. Dip the decal in warm water for about 10 seconds and then place on soft clean cloth.
3. Hold the decal backing sheet edge and gently slide the decal onto the model in its proper position.

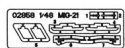
4. While still wet, decal can be adjusted for better fit on model by dampening it gently with your finger.
5. When placed in the proper position, gently press decal down with a soft cloth until excess water and air bubbles are gone.
6. Allow decal to dry completely before handling model



部品图
Parts



《蚀刻片》
Photo etched part(PE)

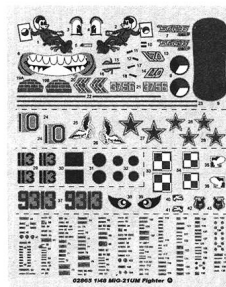


《主轮胎》X2
Main tyre

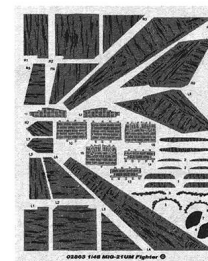


不用部品: PE5
Unused Parts

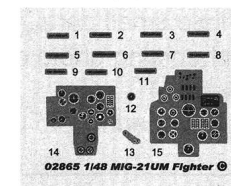
《水贴》A
Decal



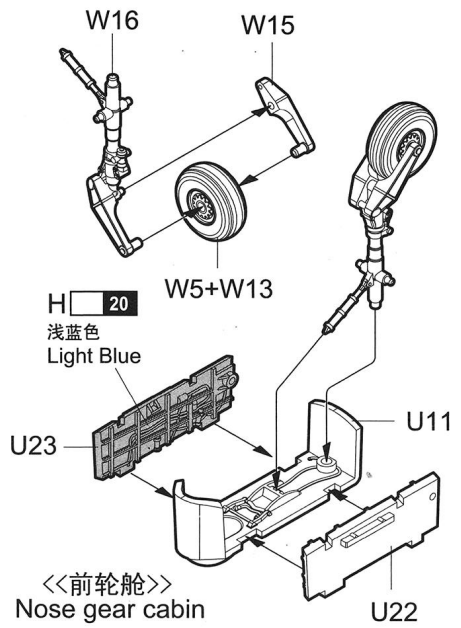
《水贴》B
Decal



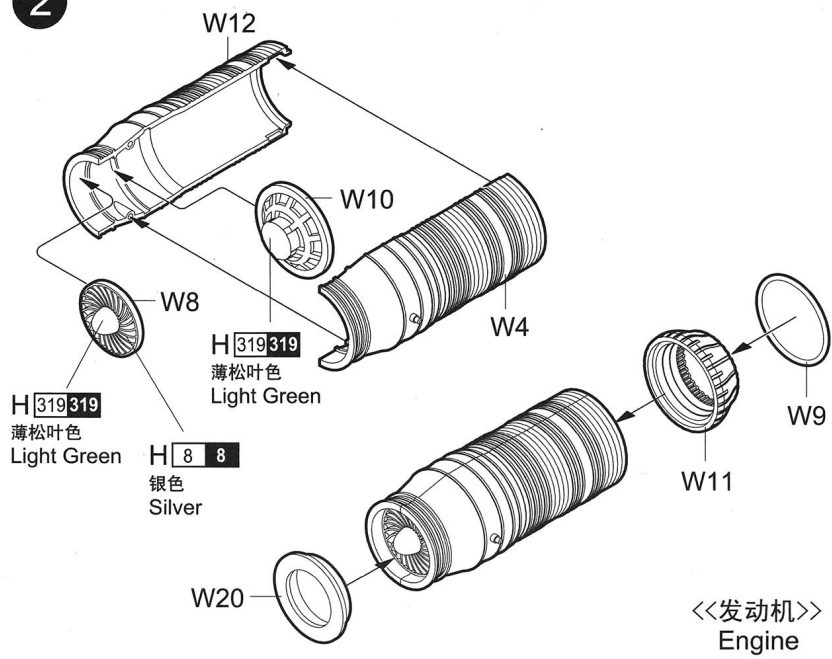
《水贴》C
Decal



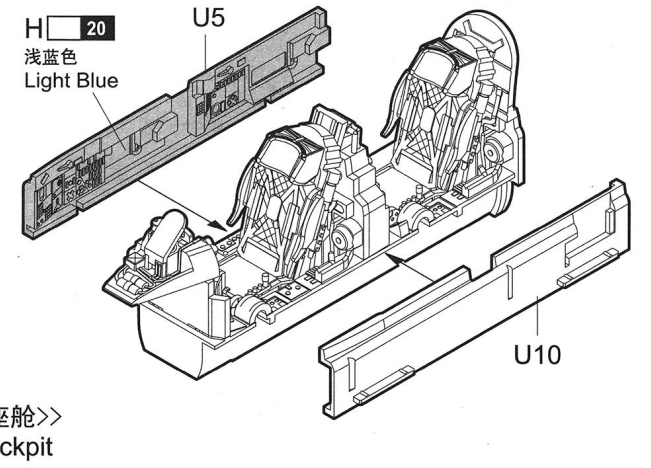
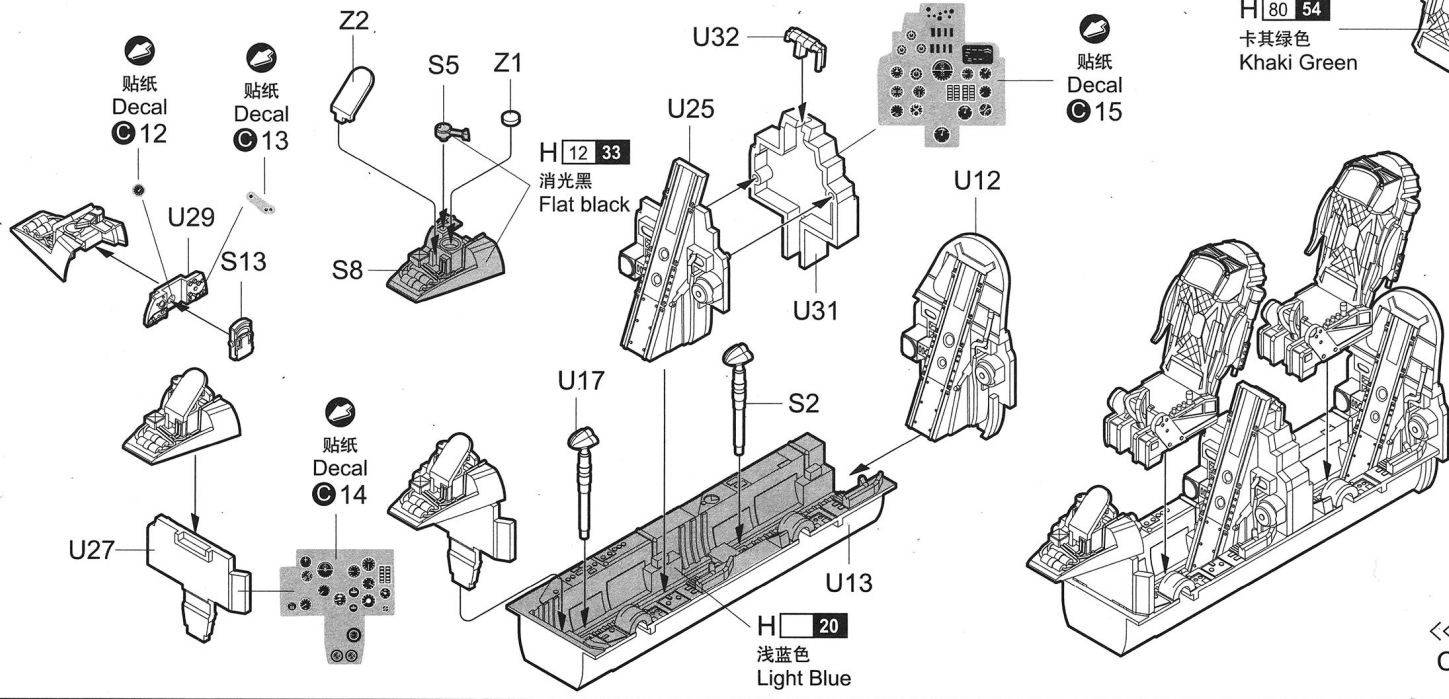
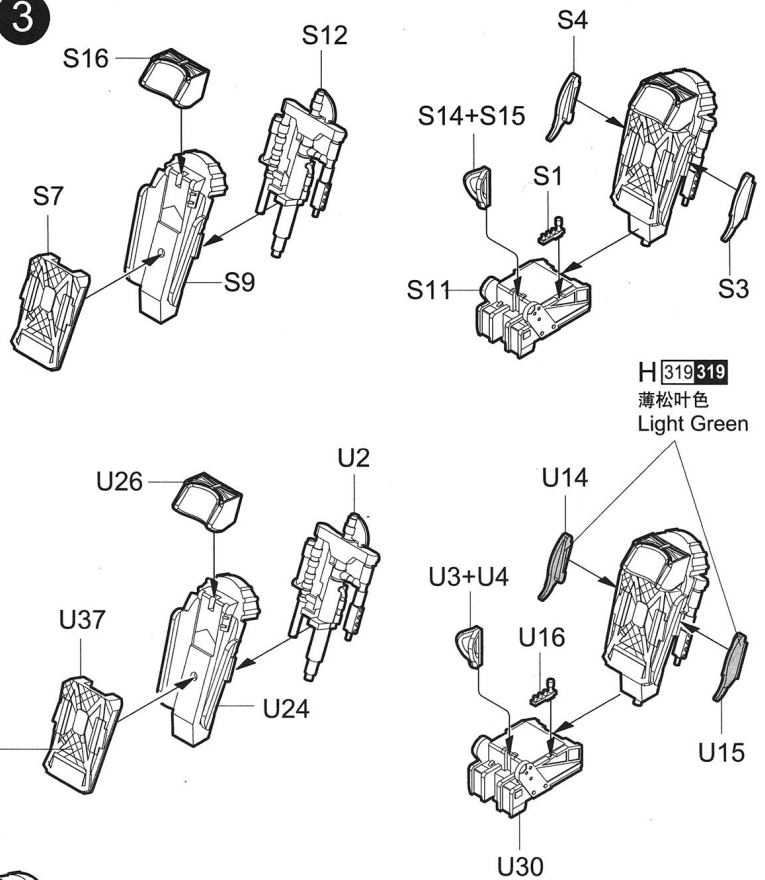
1



2

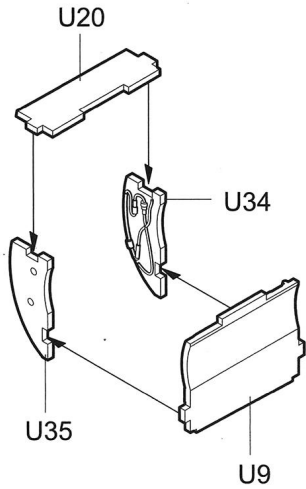


3

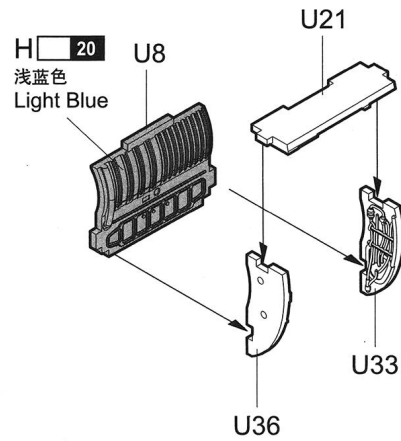


4

《右侧轮舱》
Right gear cabin

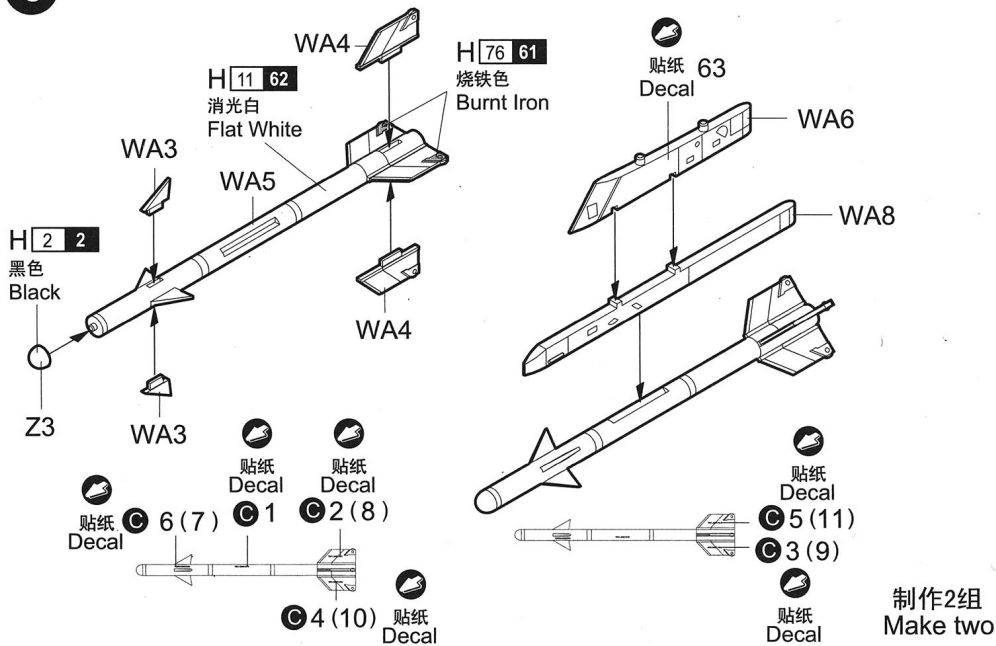


《左侧轮舱》
Left gear cabin

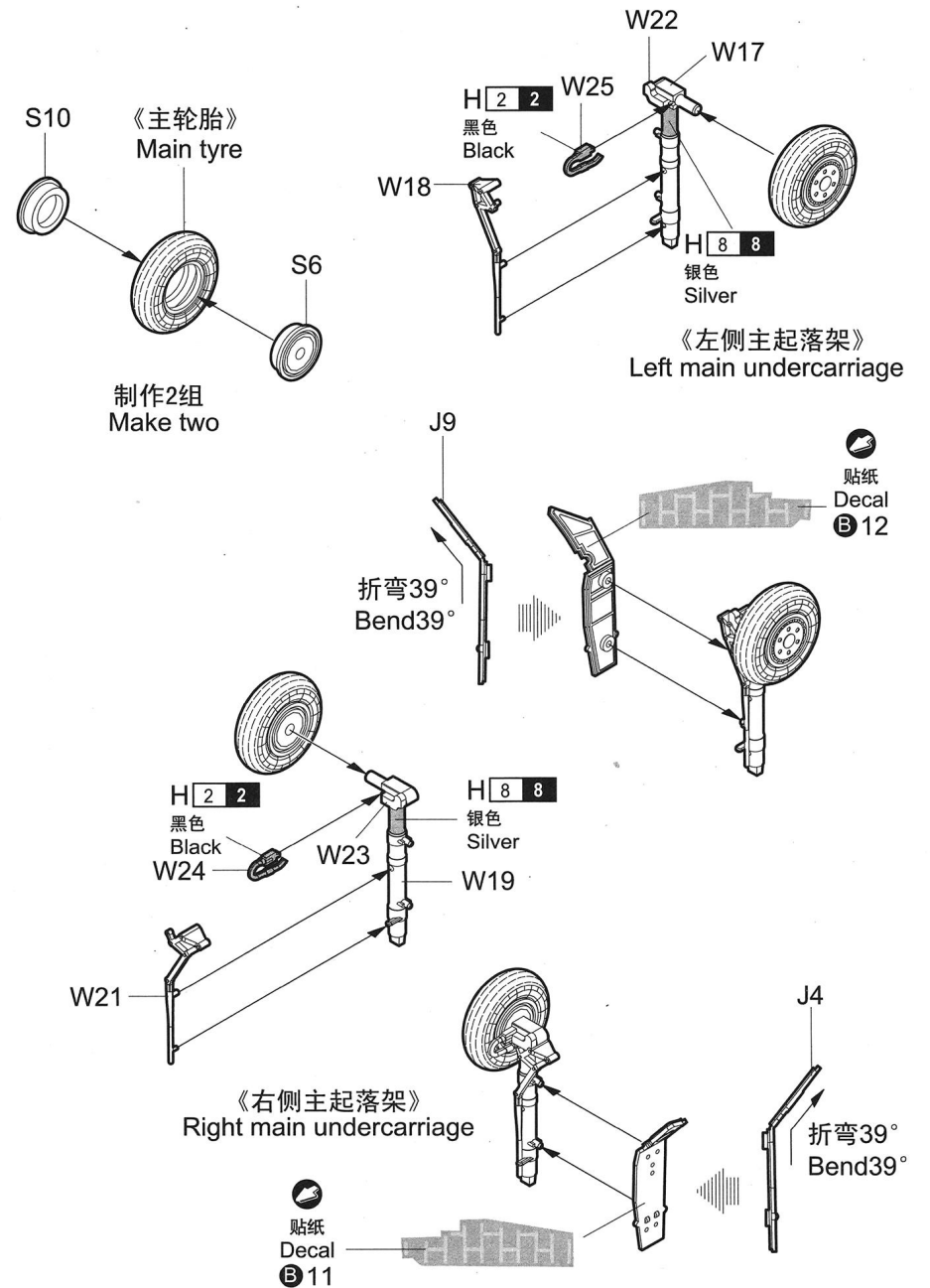


5

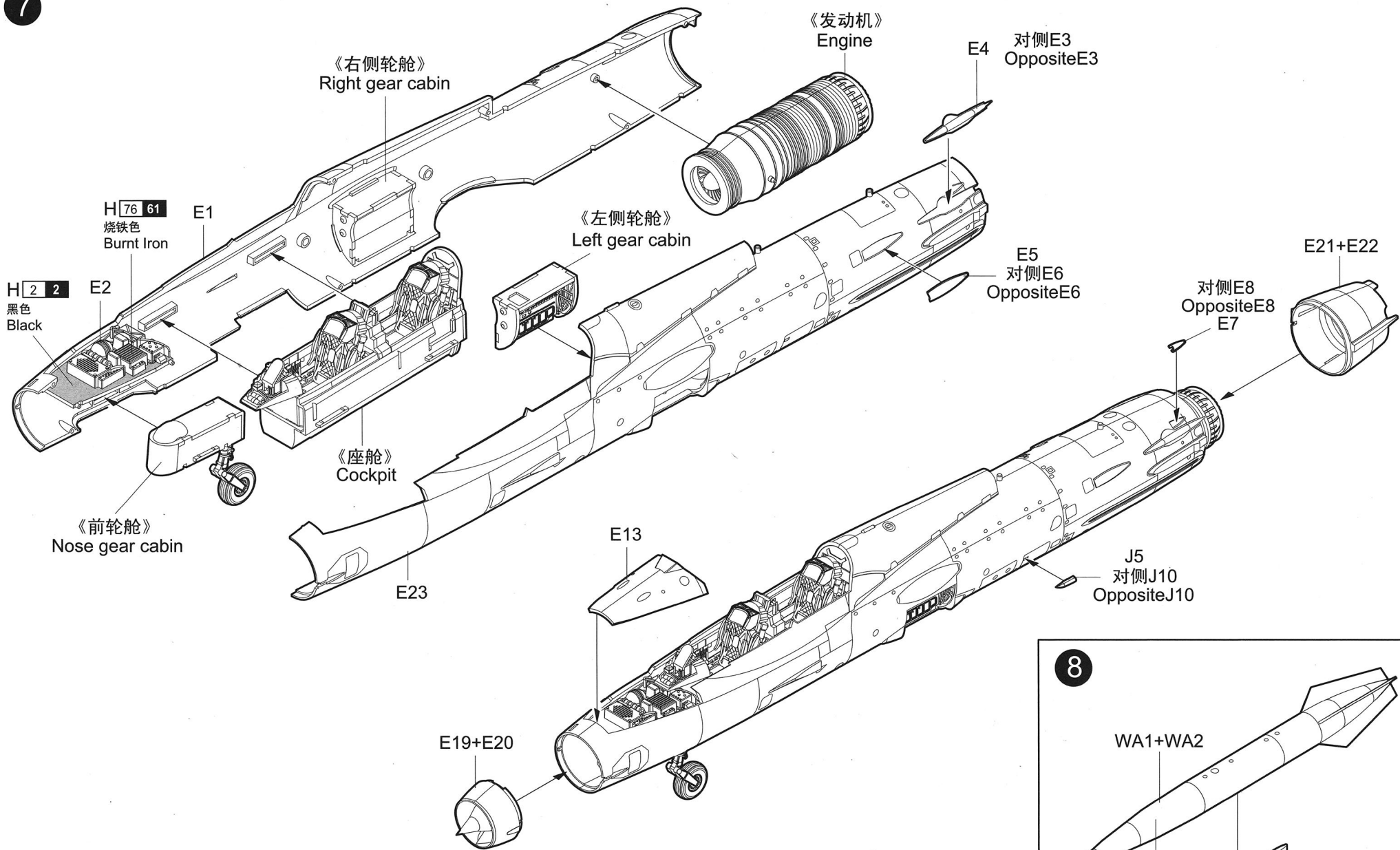
《R-3S-MISSILES》



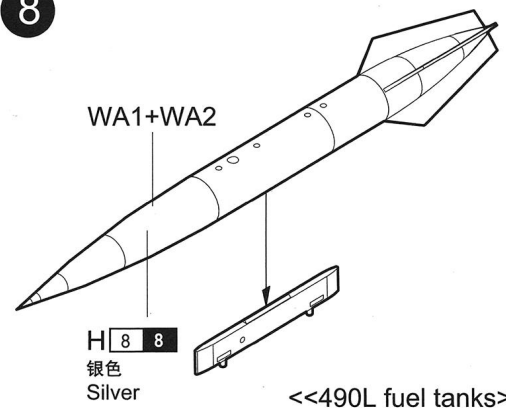
6

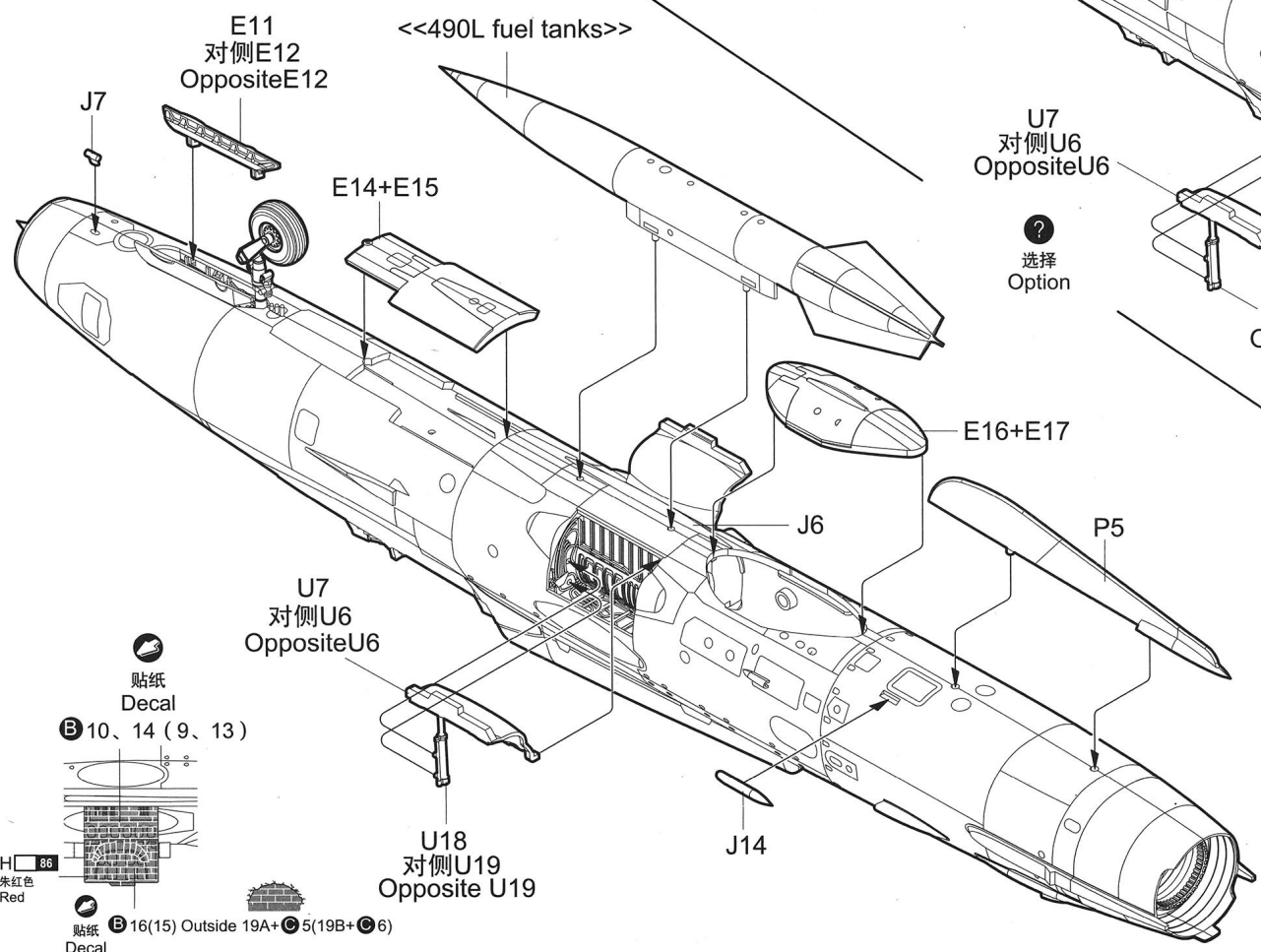
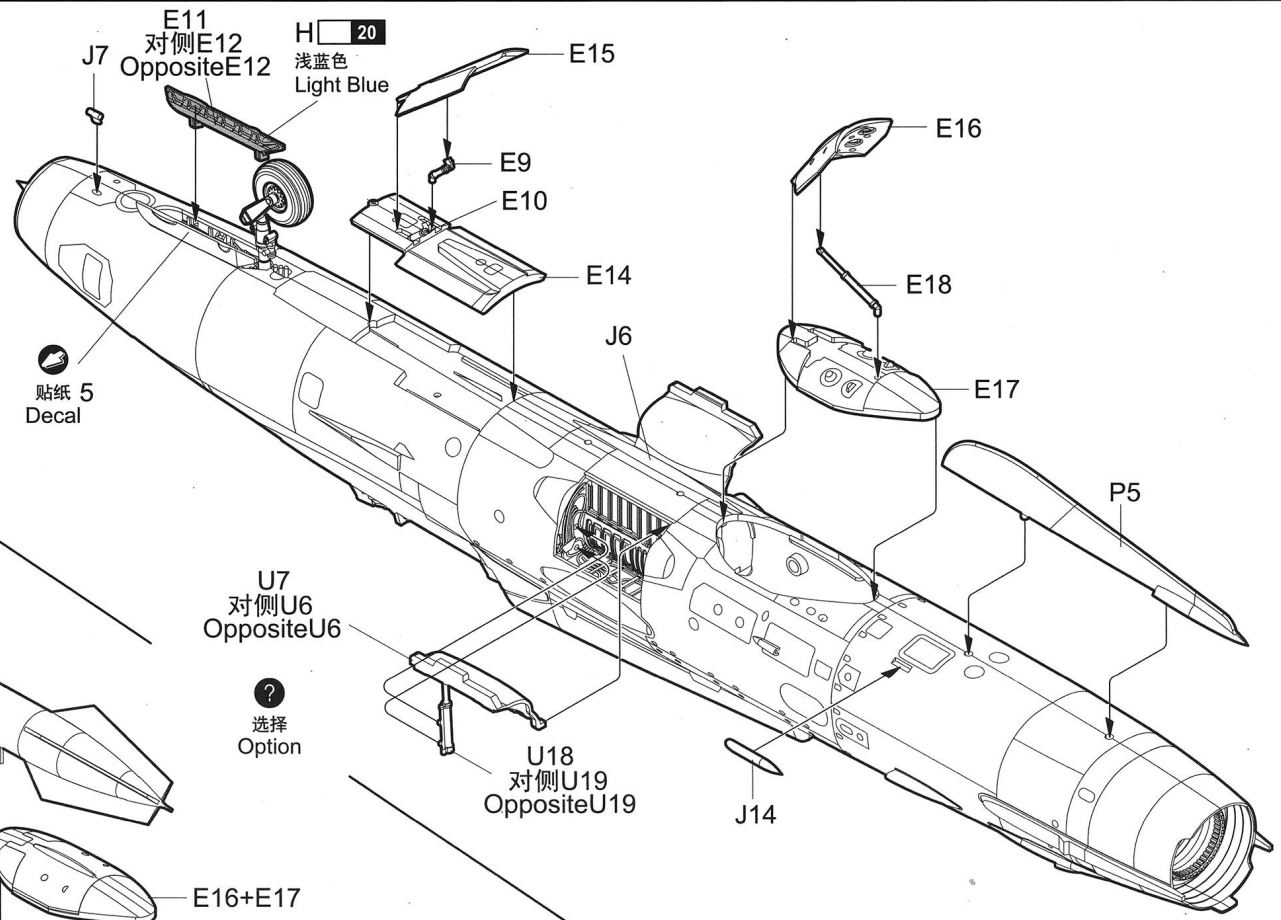


7

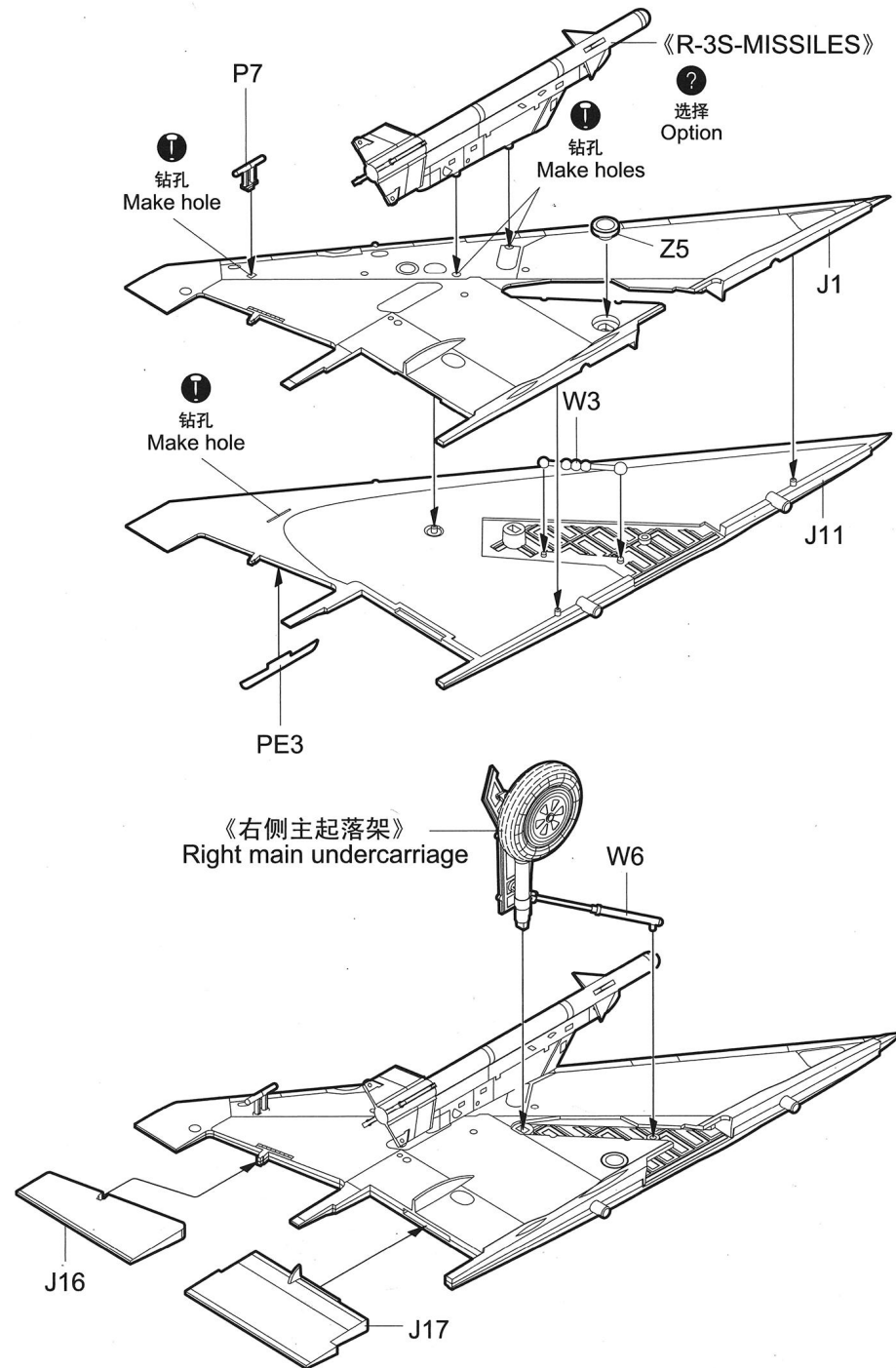
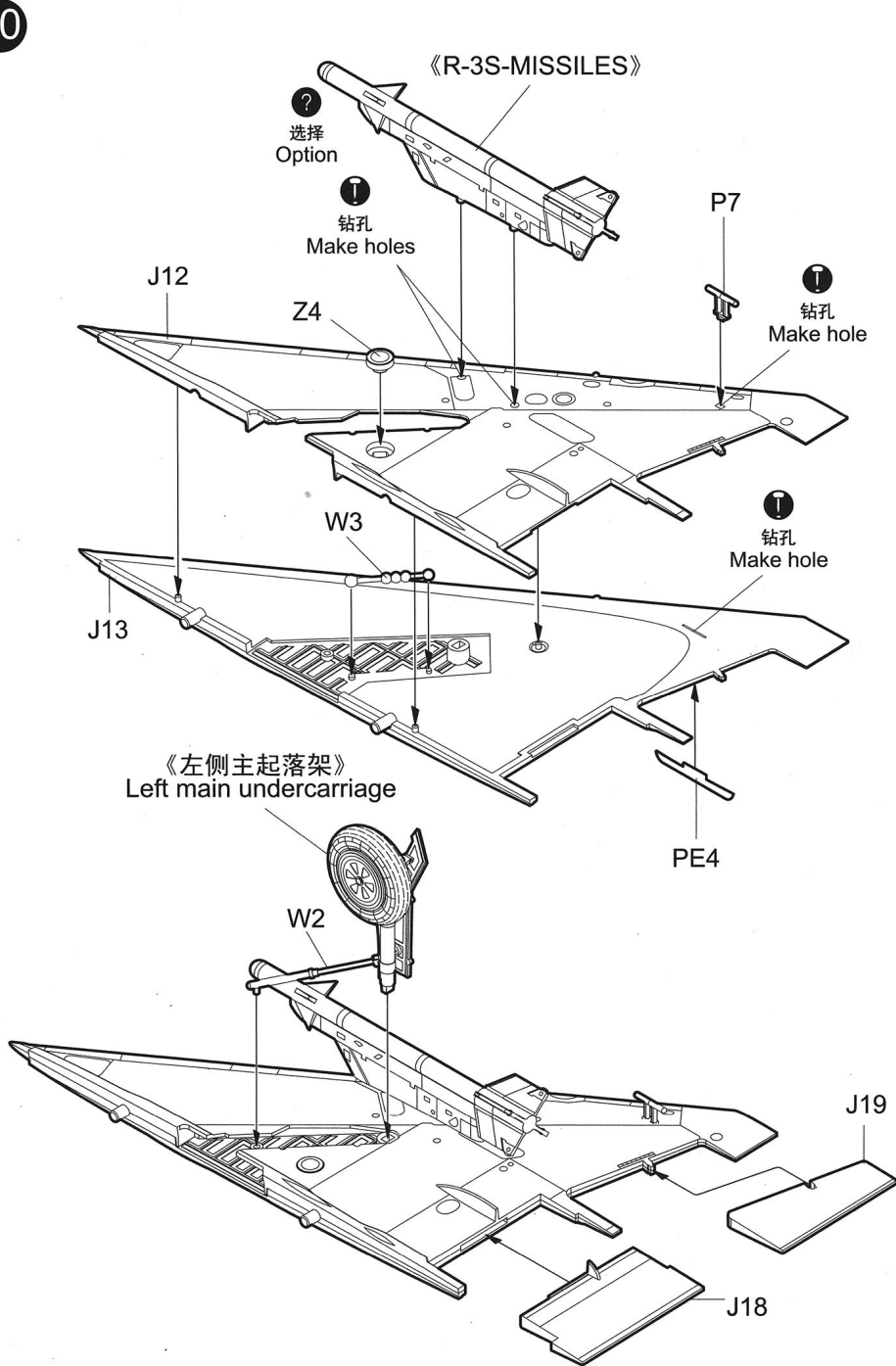


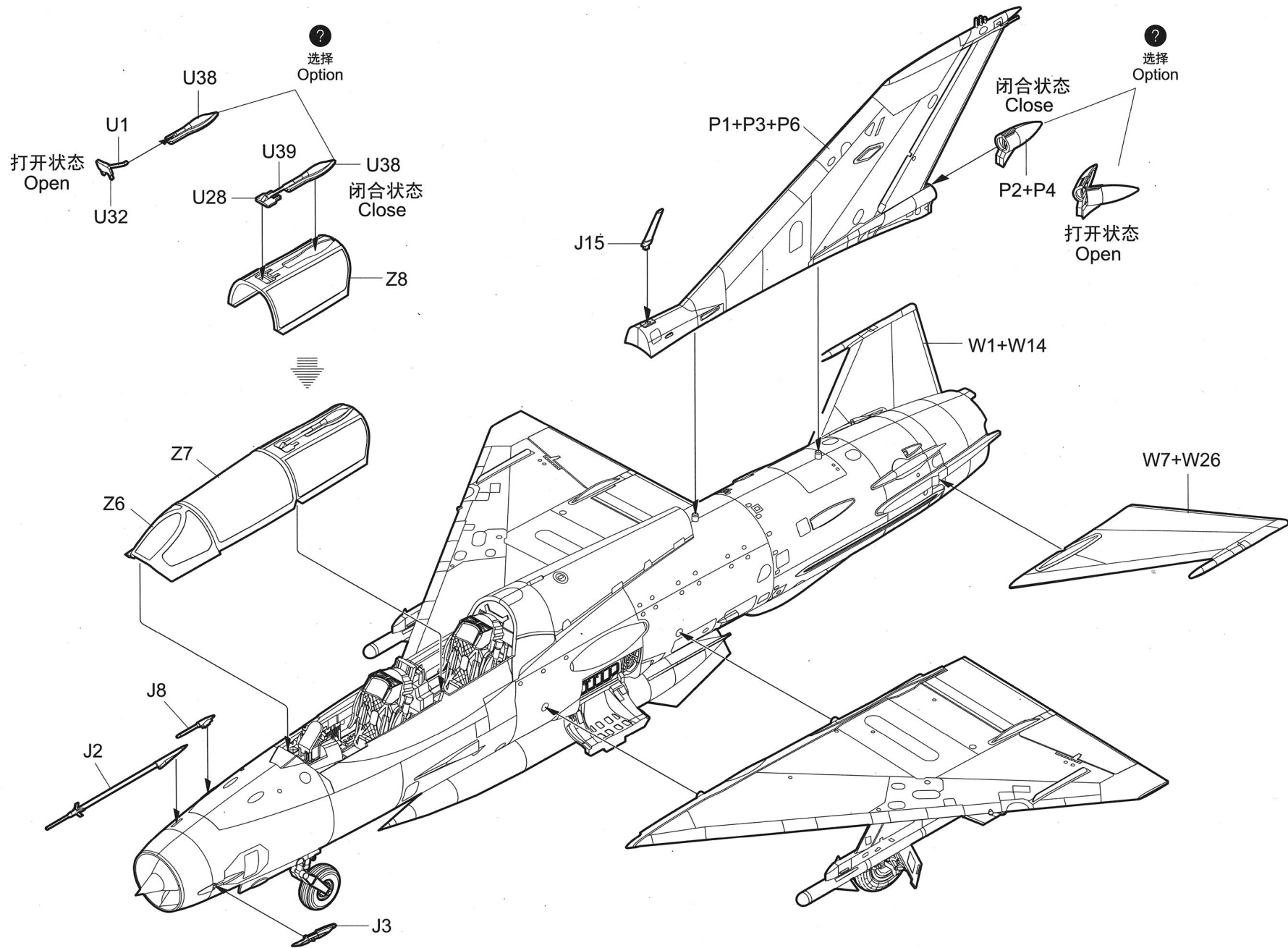
8





10





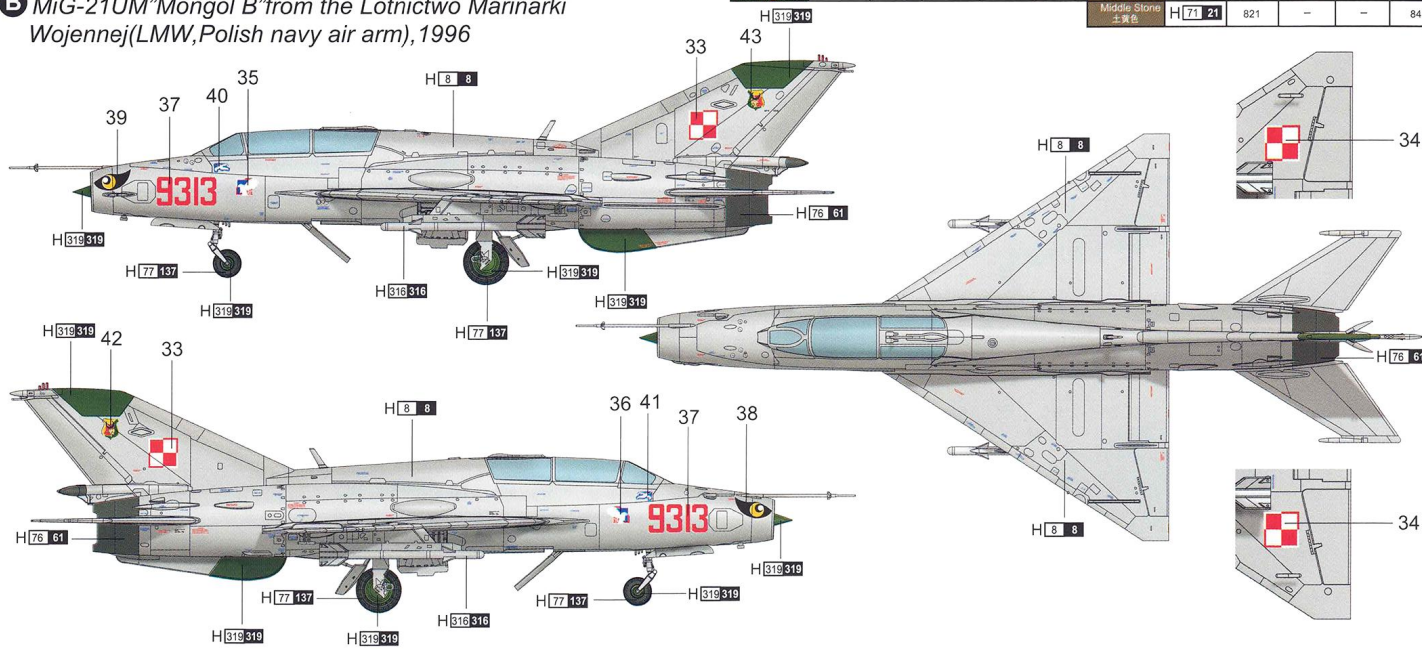
涂装同标贴指示

Painting & Marking guide

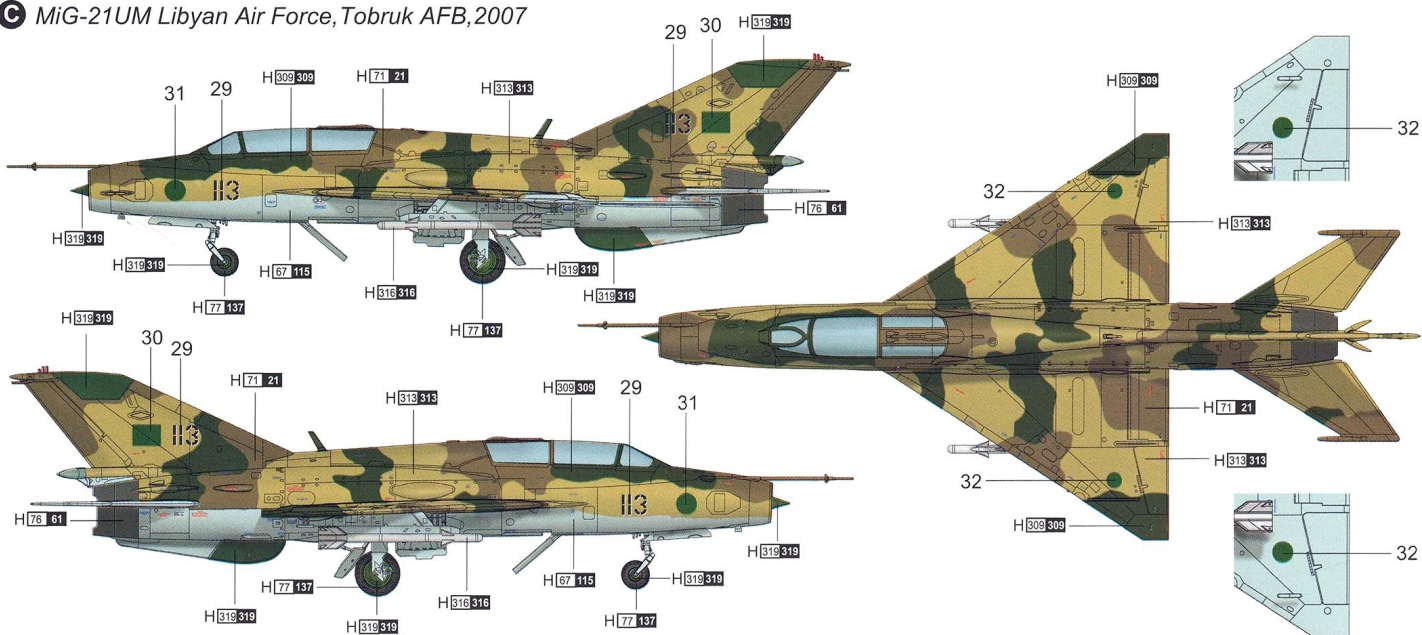
PAINT REFERENCE COLOUR

Color	Mr.Hobby	Vallejo	Model Master	Tamiya	Humbrol	Color	Mr.Hobby	Vallejo	Model Master	Tamiya	Humbrol
Light Blue 浅蓝色	H 67 115	906	—	XF23	65	Tire Black 轮胎色	H 77 137	—	—	—	—
White 白色	H 818 318	991	1745	X2	22	Light Green 浅绿色	H 818 318	—	1731	—	117
Burnt Iron 锈色	H 76 61	863	1795	X10	53	Brown 棕色	H 810 310	874	1742	—	118
Silver 银色	H 8 8	997	1546	X11	11	Gold 金色	H 838 338	—	—	—	—
Yellow 黄色	H 318 318	819	1706	—	121	Olive Drab 橄榄色	H 804 304	887	1711	XF62	155
Green 绿色	H 809 309	893	1710	XF58	116	Dark Yellow 暗黄色	H 79 39	824	—	XF59	93
						Middle Stone 土黄色	H 71 21	821	—	—	84

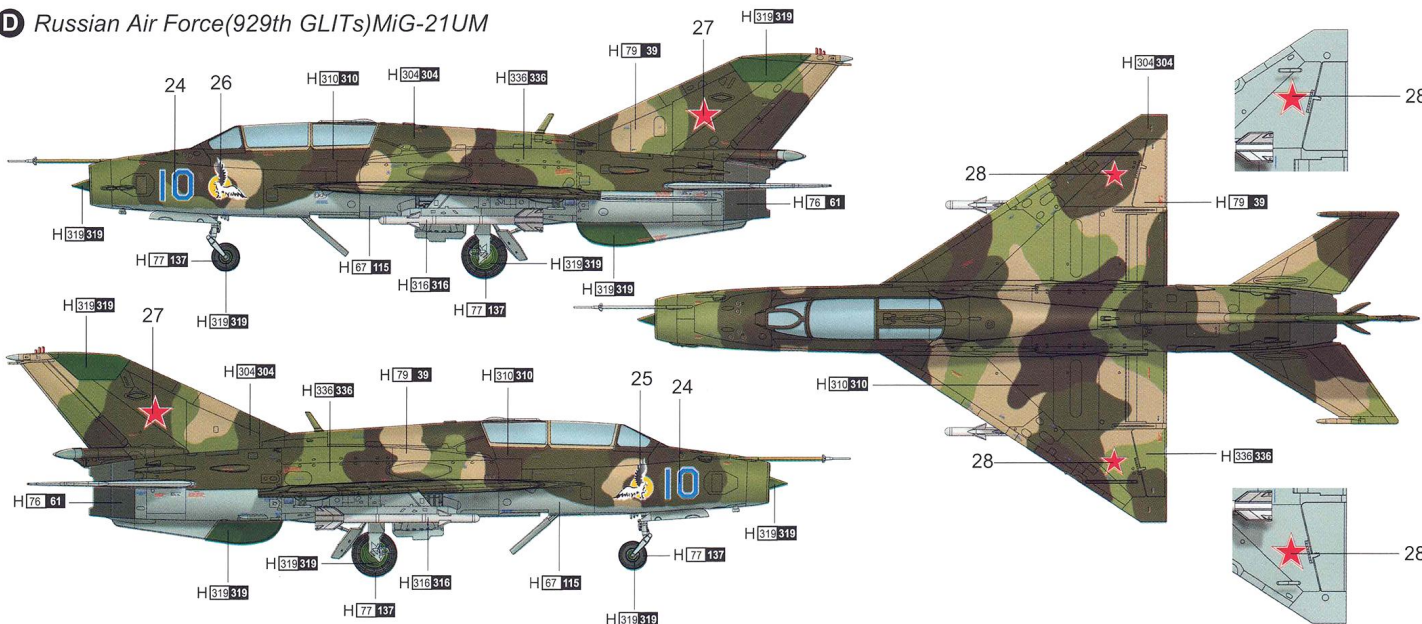
B MiG-21UM "Mongol B" from the Lotnictwo Marinarki Wojennej(LMW, Polish navy air arm), 1996



C MiG-21UM Libyan Air Force, Tobruk AFB, 2007



D Russian Air Force(929th GLITs)MiG-21UM



H AQUEOUS HOBBY COLOR ■ Mr. COLOR

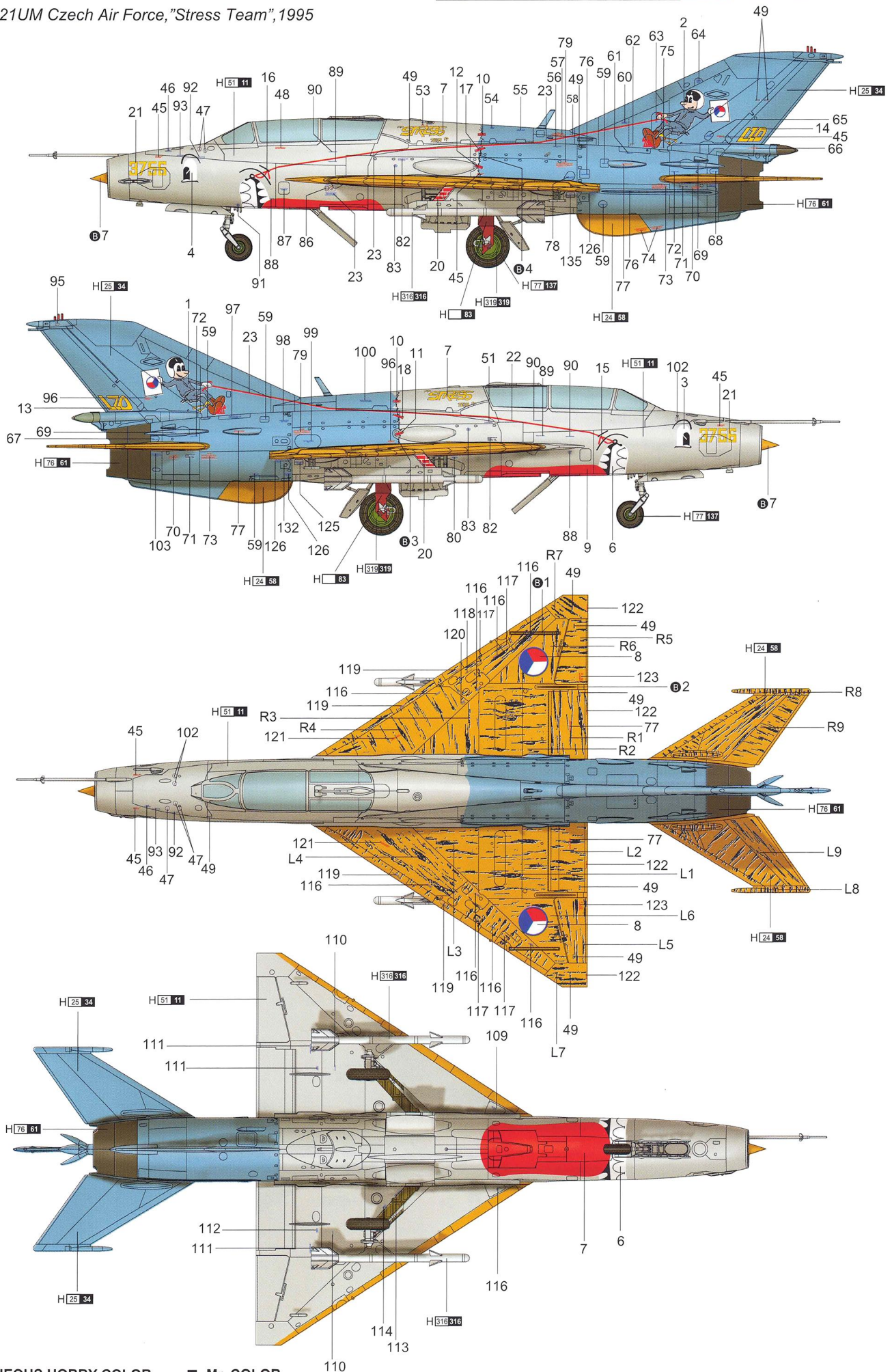
涂装同标贴指示

Painting & Marking guide

PAINT REFERENCE COLOUR

Color	Mr.Hobby	Vallejo	Model Master	Tamiya	Humbrol	Color	Mr.Hobby	Vallejo	Model Master	Tamiya	Humbrol
White insignia 白色	H[316 316]	991	1745	X2	22	Tire Black 胎黑色	H[77 137]	-	-	-	-
Red 朱红色	H[83]	908	1503	X7	19	Light Green 浅绿色	H[316 316]	-	1731	-	117
Burnt Iron 暗灰色	H[76 61]	951	1768	XF2	34	Dragon Yellow 黄绿色	H[24 58]	-	-	-	-
Light Gull Gray 浅灰色	H[51 11]	990	-	-	-	Sky Blue 天蓝色	H[25 34]	-	-	X14	-

A MiG-21UM Czech Air Force, "Stress Team", 1995



H [] AQUEOUS HOBBY COLOR ■ Mr. COLOR