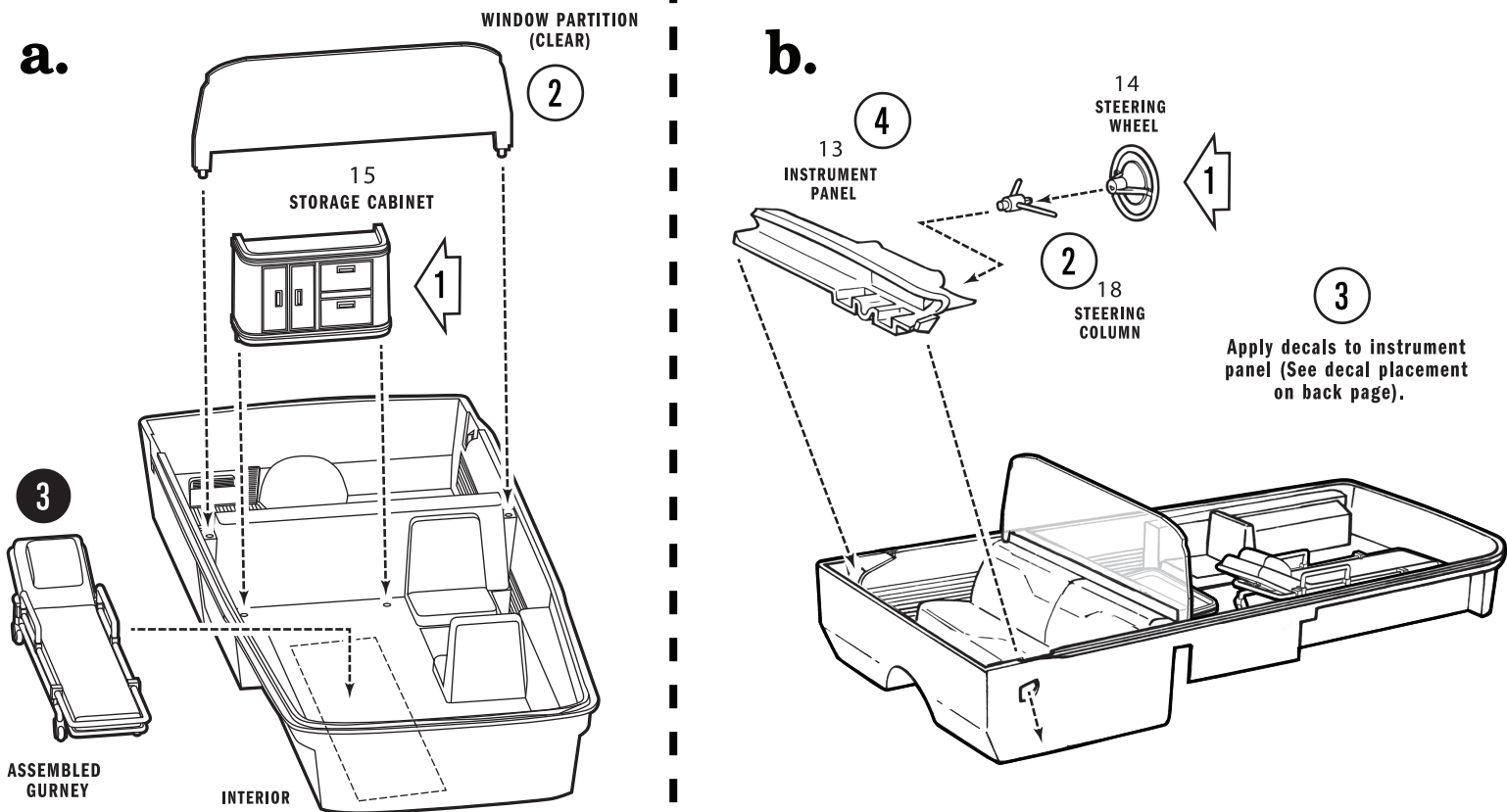
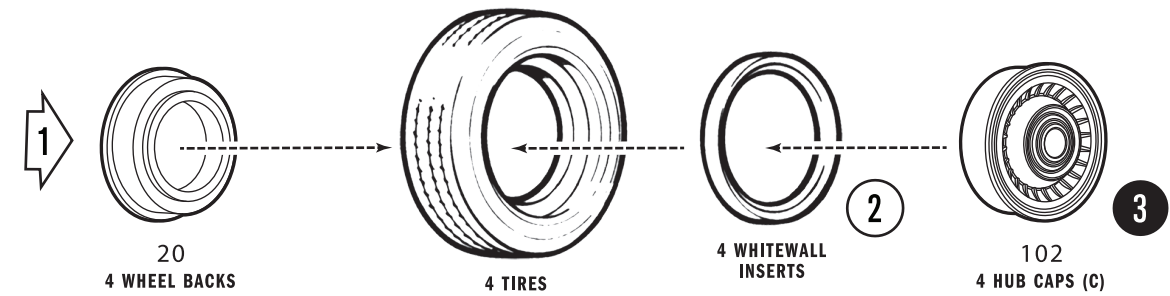


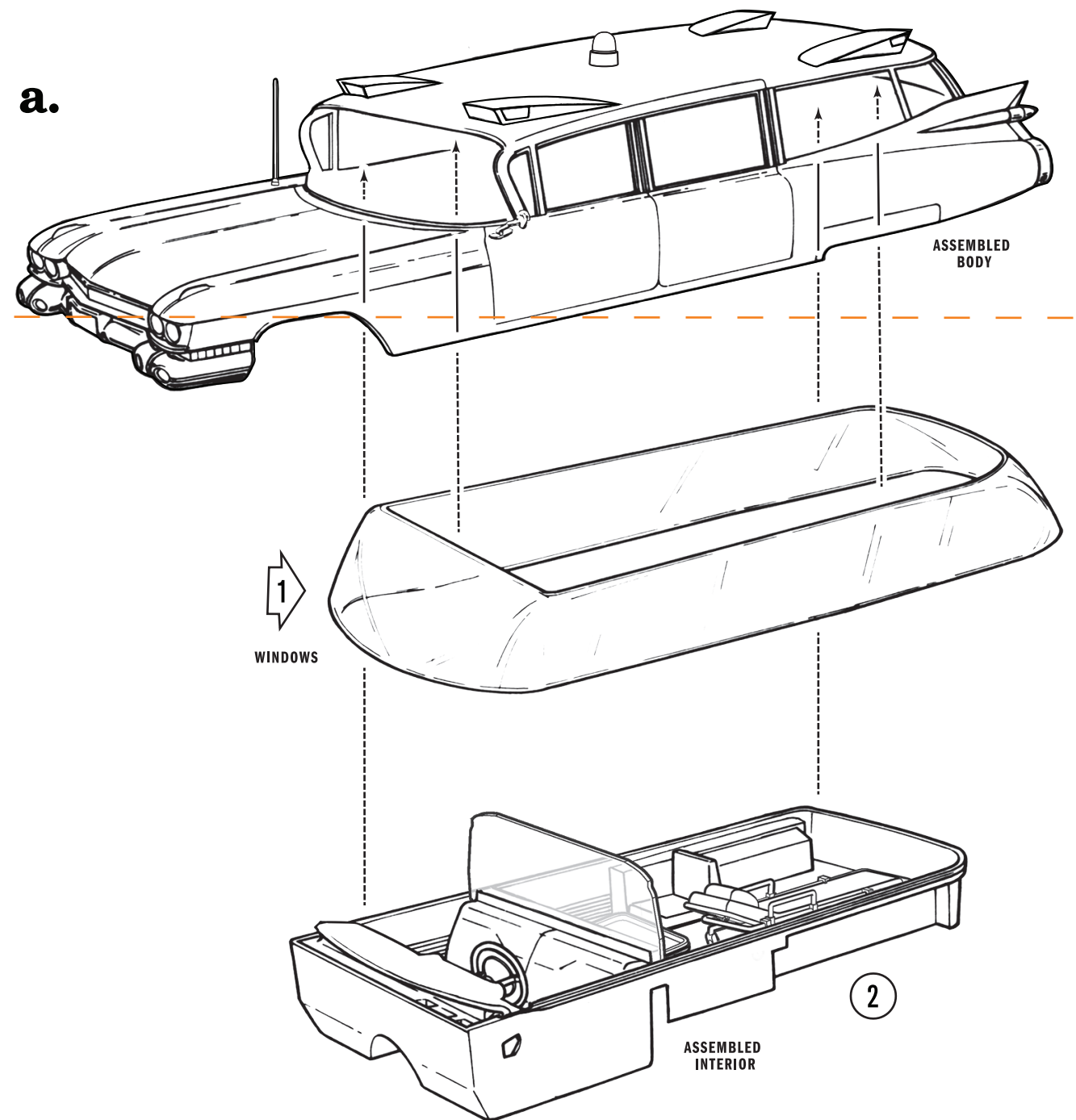
## 2. interior



## 4. wheels x4



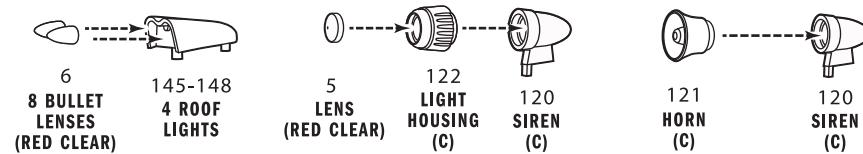
## FINAL ASSEMBLIES



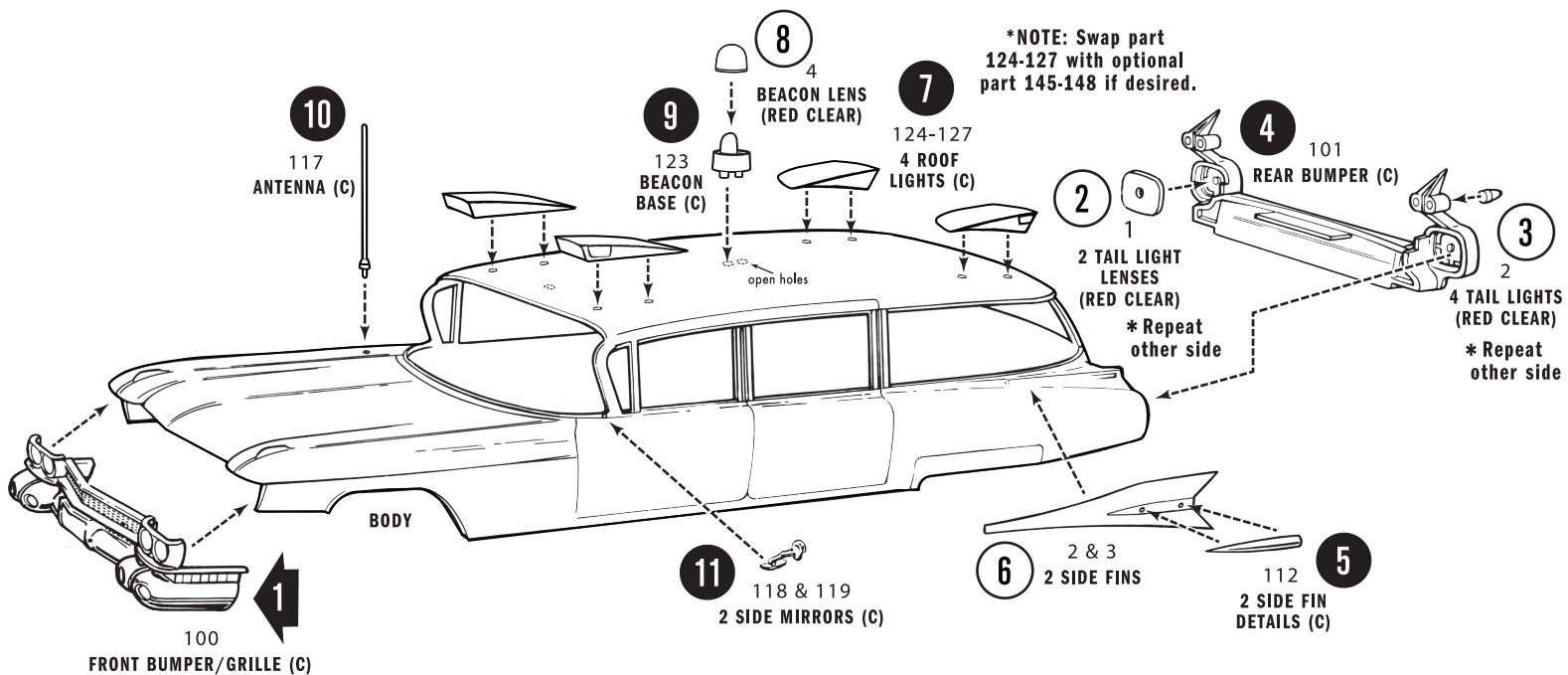
## 3. body

\*NOTE: Open flashed over holes on roof for optional lights & sirens with modeler's knife.

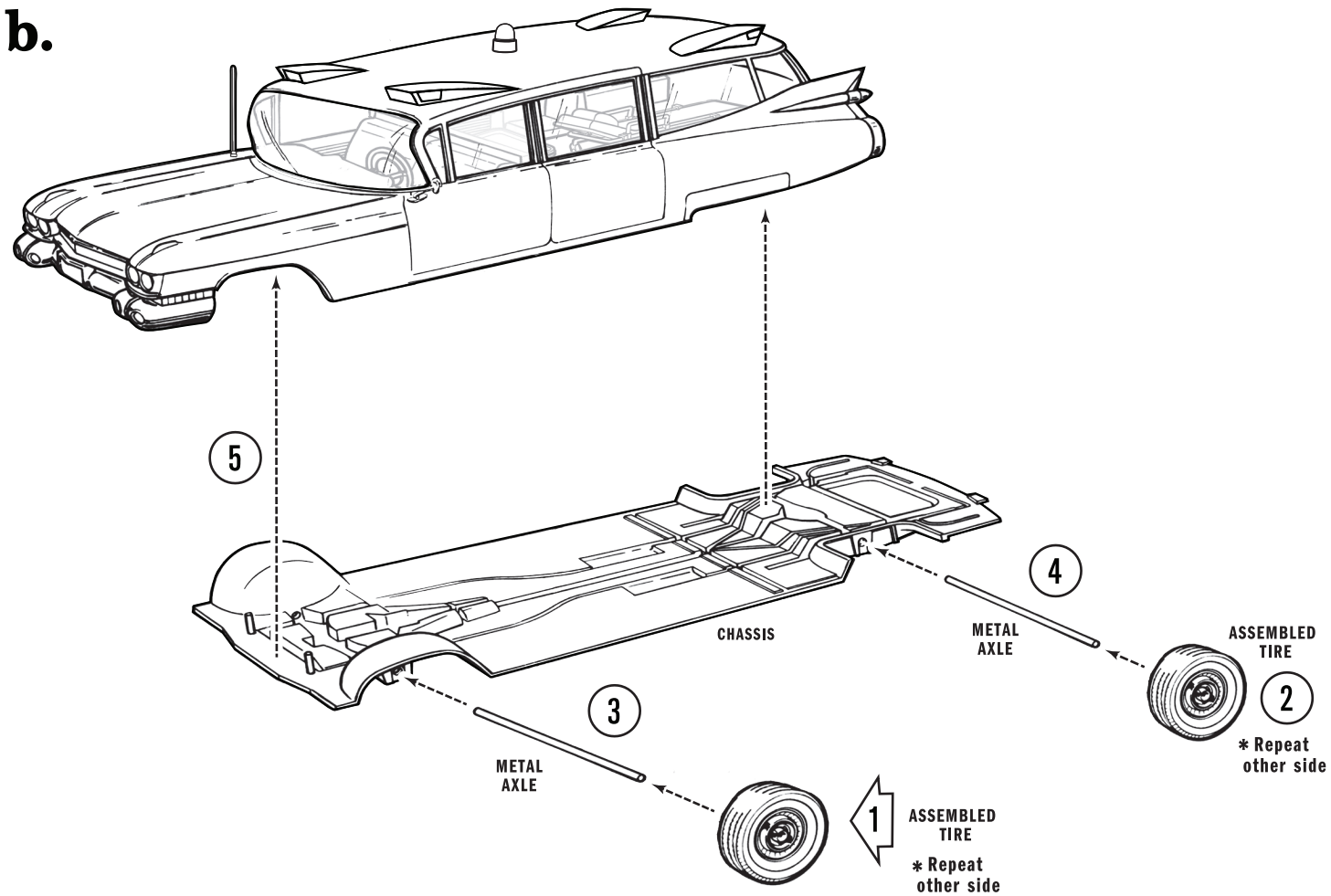
### OPTIONAL ROOF PARTS



\*NOTE: Swap part 124-127 with optional part 145-148 if desired.



b.

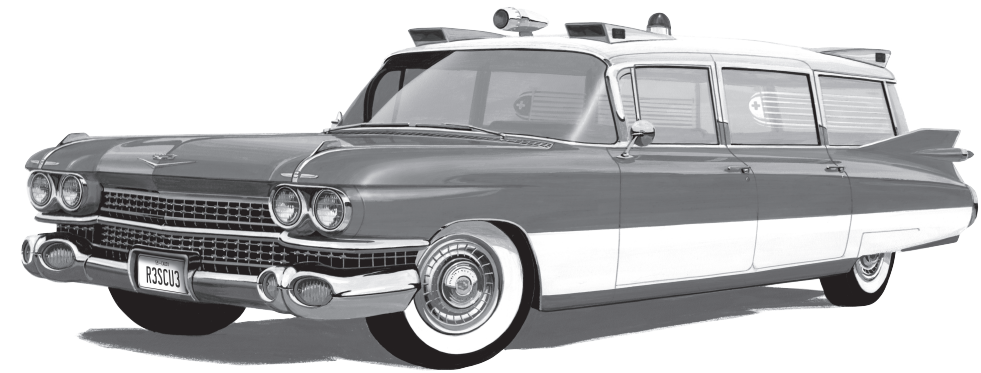


A1395-200

'59

CADILLAC

AMBULANCE



READ THIS BEFORE YOU BEGIN

Look over this instruction sheet carefully before you begin building. You may decide to combine parts from the optional parts shown, or use parts from other AMT® kits. After you've planned your car, follow the assembly instructions and "TEST FIT" the parts without cementing. This will familiarize you with the location of parts. When removing small parts from "runners" it is best to use a modelers knife, do not attempt to "twist" them off.

For best results, the various sub-assemblies and components should be painted before any "CHROME" parts are attached. For example: When attaching "NON CHROME" engine parts, it is best to cement them in place and paint as a unit. AMT® kits are molded from the finest high-impact styrene plastic. Use only paint and cement made for styrene. Trim excess plastic from parts before joining. When attaching "CHROME" or painted parts, scrape plating or paint away where parts are to be joined.

Cement all parts unless otherwise indicated by the instructions. Use just enough cement to join parts and be careful not to smear cement on exposed surfaces.

To duplicate Stock automotive colors using stock aerosol touch-up finishes, use this procedure:

First, dust on two coats of clear lacquer. When completely dry, follow with a very light coat of touch-up, then apply successively heavier coats until the desired finish is achieved. It should be noted that these directions must be carefully followed to prevent the usual crazing of the styrene which occurs when automotive lacquers are applied directly.

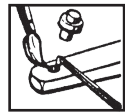
Built according to the instructions on this sheet, you should have no trouble assembling your kit. Just follow the numbers as the instructions are numbered in order of assembly. "CHROME" PARTS ARE INDICATED BY (C).



Use a sharp hobby knife to remove parts from the trees. The knife may also be used to remove parting lines and flash.



Use tweezers to hold small parts during assembly, painting and when applying cement.



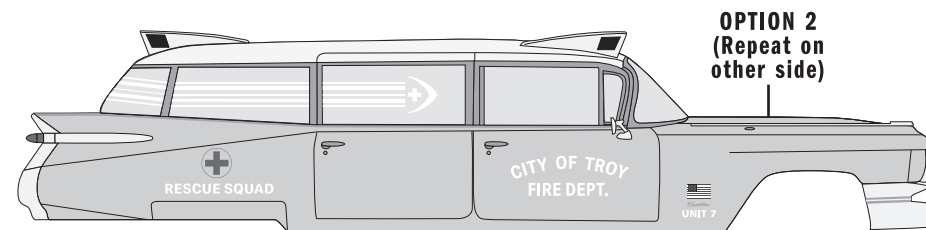
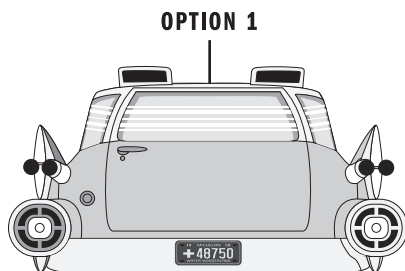
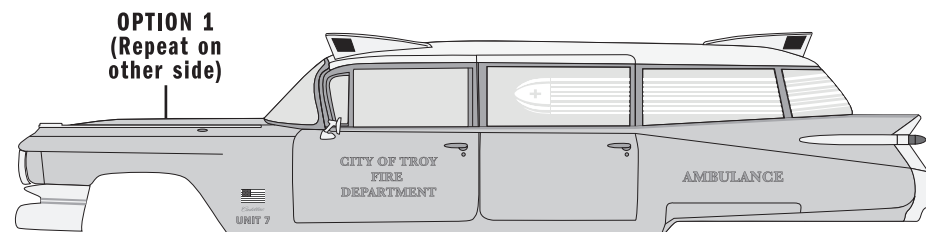
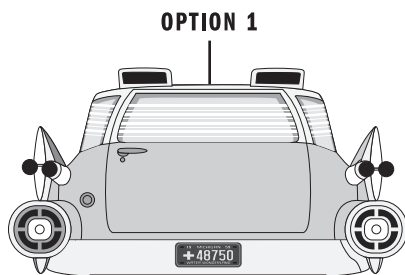
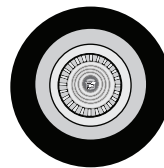
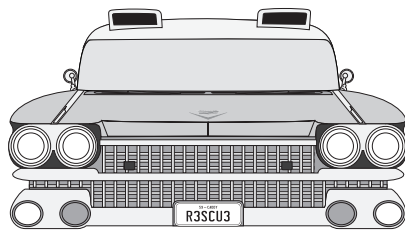
We recommend the use of liquid polystyrene cement. Apply with a fine brush. Use sparingly or a sloppy job will result.



GENERAL MOTORS Trademarks used under license to Round 2, LLC. AMT and design and Round 2 and design are trademarks of Round 2, LLC. ©2023 Round 2, LLC, South Bend, IN 46628 USA. Product and packaging designed in the USA. Made in China. All rights reserved.

DECAL PLACEMENT

\*NOTE: Dry test-fit decals before applying.



BASIC ASSEMBLIES

1. gurney

NOTE: Carefully remove gurney parts from runners using a sharp hobby knife. Do not attempt to twist them off.

