

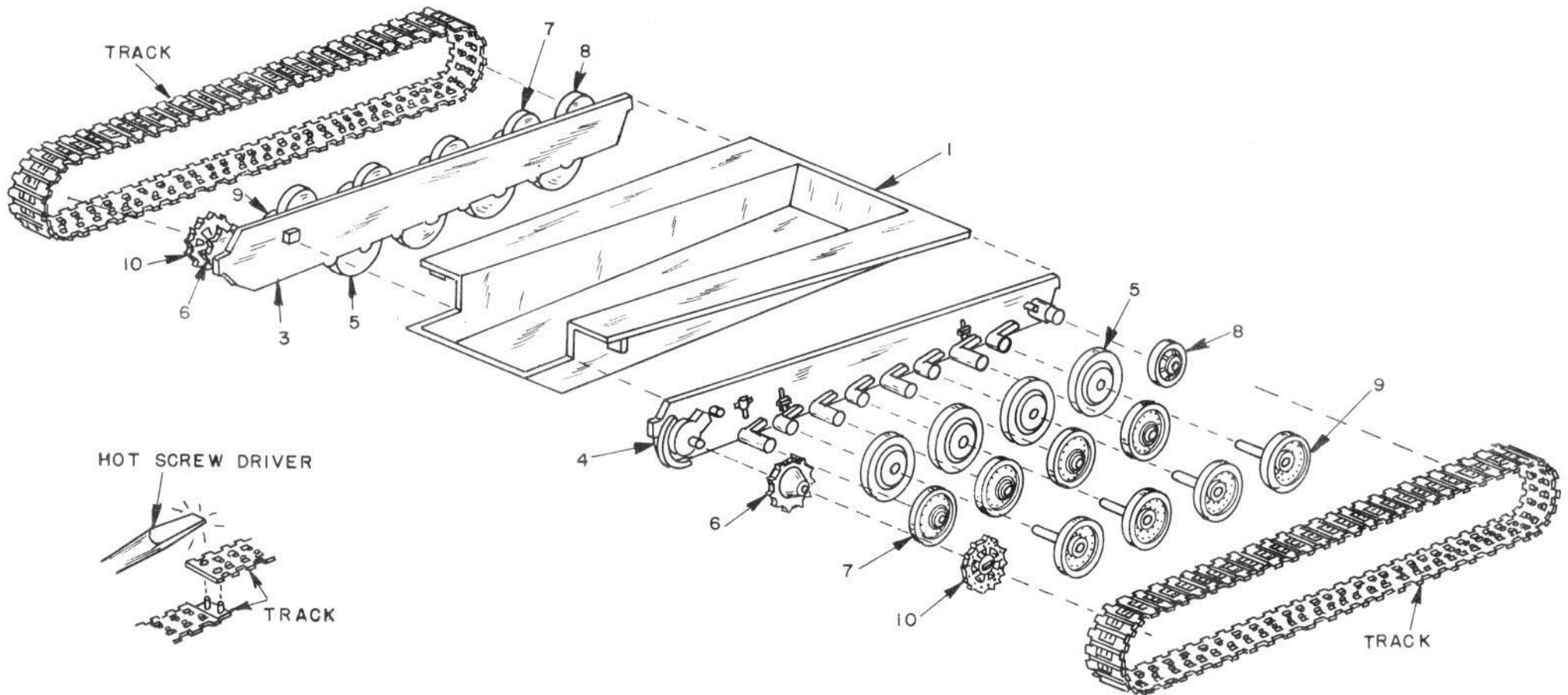
NOTE: REMOVE PARTS FROM FRAMES AS NEEDED USING A KNIFE OR CLIPPERS, CAREFULLY CLEAN OFF EXCESS PLASTIC. SOME PARTS MUST BE PAINTED BEFORE ASSEMBLY.

ASSEMBLY INSTRUCTIONS

CHASSIS ASSEMBLY

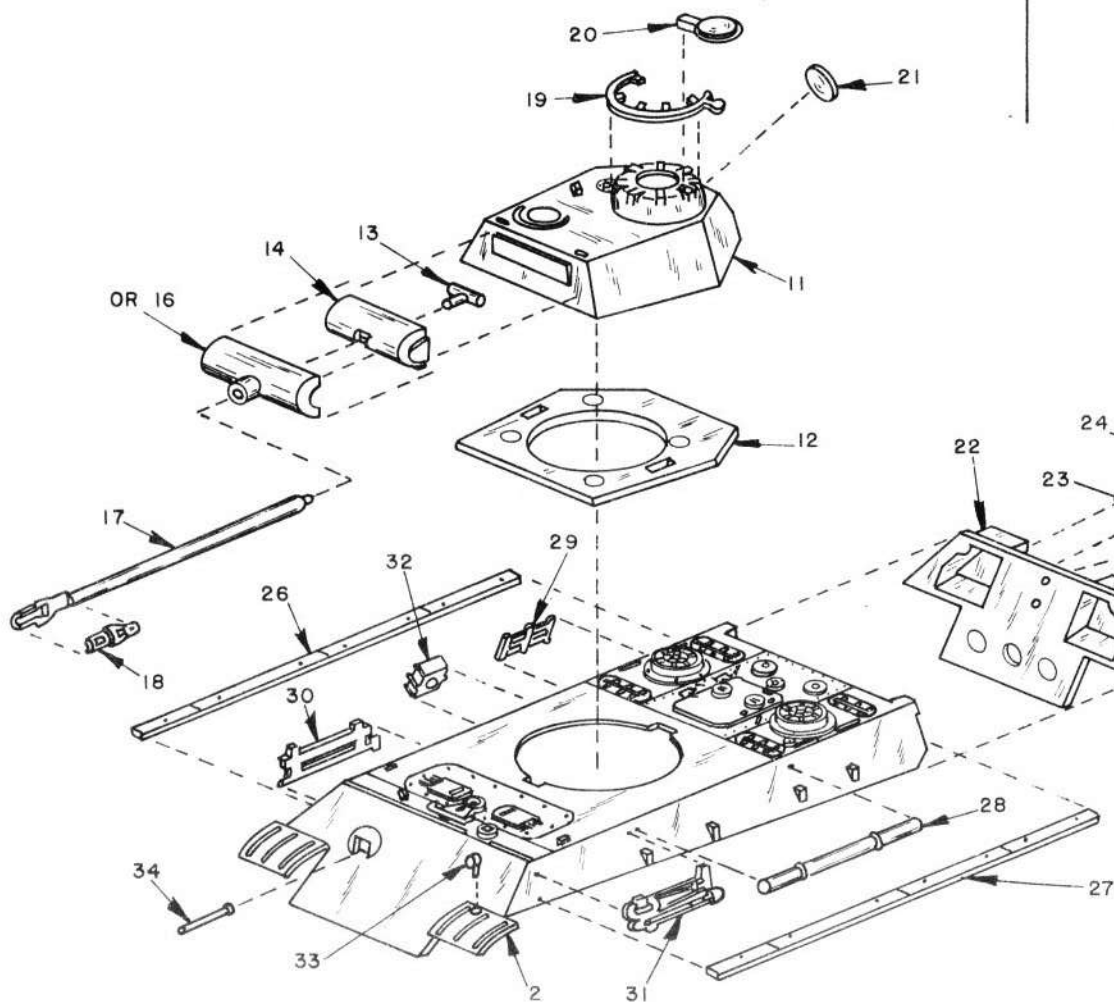
- A- CEMENT AXLE PLATES 3 AND 4 TO CHASSIS 1.
- B- CEMENT SPROCKETS 6 TO FRONT AXLES ON EACH SIDE THEN CEMENT SPROCKETS 10 TO SPROCKETS 6.
- C- CEMENT WHEEL 8 TO REAR AXLE ON EACH SIDE.
- D- CEMENT FOUR WHEELS 5 TO SHORT AXLES ON EACH SIDE.
- E- CEMENT FOUR WHEELS 7 TO LONG AXLES ON EACH SIDE.

- F- CEMENT FOUR WHEELS 9 TO THE ALREADY MOUNTED WHEELS 5 ON EACH SIDE.
- G- PLACE PINS ON ONE END OF FLEXIBLE TRACK THRU HOLES IN OPPOSITE END, MELT ENDS OF PINS OVER TO SECURE THE TRACK BY TOUCHING WITH SOLDER GUN OR HEATED SCREW DRIVER (HEAT END OF SCREW DRIVER WITH MATCH) SLIDE TRACKS OVER WHEELS ON EACH SIDE.



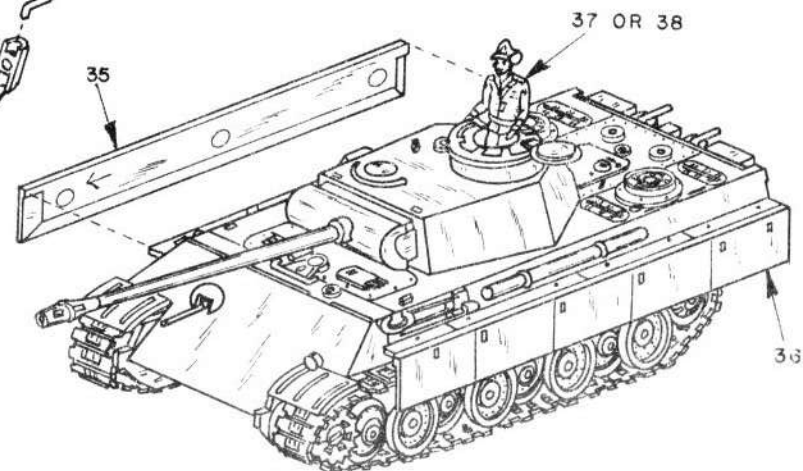
TURRET ASSEMBLY

- H- CEMENT GUN END 18 TO GUN 17.
- I- CHOOSE EITHER MANTLET 15 OR 16 YOU WISH TO USE AND CEMENT GUN 18 INTO HOLE.
- J- PLACE MANTLET ONTO MOUNTING 14 (DO NOT CEMENT) THEN PUSH LOCATOR 13 THRU 14 AND CEMENT INTO HOLE IN REAR OF MANTLET.
- K- CEMENT GUN ASSEMBLY TO TURRET 11.
- L- CEMENT TURRET TO BASE 12.
- M- CEMENT DISC 21 TO HALF RING AREA ON REAR OF TURRET.
- N- CEMENT RAIL 19 AND HATCH DOOR 20 TO HATCH OPENING.



HULL ASSEMBLY

- O- CEMENT REAR PANEL 22 TO HULL 2.
 - P- CEMENT CENTER UNIT 25 INTO HOLES IN REAR PANEL 22.
 - Q- CEMENT TWO HALF ROUND CYLINDERS 23 TO REAR PANEL 22 THEN CEMENT PINS 24 INTO HOLES IN CYLINDERS 23.
 - R- CEMENT STRIPS 26 AND 27 TO LOCATORS ON EACH SIDE OF HULL.
 - S- CEMENT LIGHT 33 AND GUN 34 TO FRONT OF HULL.
 - T- CEMENT SHOVEL UNIT 31 AND CYLINDER 28 TO LEFT SIDE OF HULL.
 - U- CEMENT AXE UNIT 30, BOX 32 AND TOOL UNIT 29 TO RIGHT SIDE OF HULL.
 - V- CEMENT HULL 2 TO CHASSIS 1.
 - W- CEMENT SIDE PANELS 35 AND 36 TO STRIPS 26 AND 27 ON EACH SIDE OF HULL.
 - X- INSERT TABS ON TURRET BASE INTO NOTCHES IN HULL AND TURN TO SECURE IN PLACE.
 - Y- CEMENT EITHER FIGURE 37 OR 38 INTO HATCH OPENING.
 - Z- SEE PICTURE FOR PAINTING AND ADD DECALS.
- CEMENT AND PAINT NOT INCLUDED.



1 2 3 3 4 5 6 R0

1 2 3 3 4 5 6 R0

135 + 135

331 + 331

R02 + R02



1 2 3 3 4 5 6 R0

1 2 3 3 4 5 6 R0