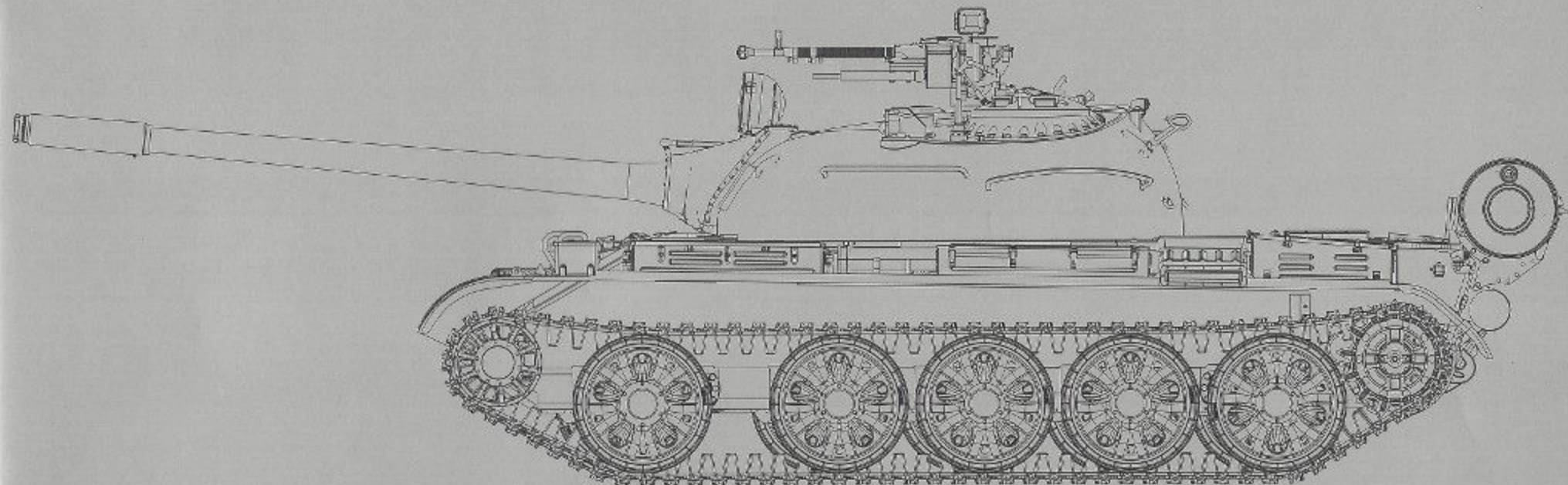


RUSSIAN MEDIUM TANK

T-54B



The ubiquitous T-54 & T-55 series is the most produced tank type in history, with an estimated 100,000 units having been produced in Russia, Czechoslovakia, Poland, and China. These tanks have been evolving since their inception at the end of WWII, continuously incorporating improved weapons, power packs, and protection, and they continue to be rebuilt and refurbished with local upgrades even today. They have also formed the basis of many other APVs, such as ARVs, APCs and AVLB's, and still serve in large numbers today with as many as 50 nations.

The T-54B was the first Soviet tank to be regularly fitted with night-fighting equipment, introducing the Luna L-2 infrared searchlight slaved to the main gun, along with the OU-3 IR searchlight mounted on the commander's cupola and a TPN-1 gunner's night/day sight in place of the simple Mk.4 periscope on the T-54A. The T-54B also featured better targeting ability by introducing the Tsiklon 2-axis stabilization system to the improved D-10T2S 100mm rifled main gun. An electric power traverse motor was fitted to supplement the standard manual traverse system, enabling the turret to rotate 360° in under 30 seconds. The T-54B was also the first of its kind to be fitted with the OPVT fording equipment, allowing the tank to ford rivers up to 5m deep and 700m wide. The T-54B entered series production in the U.S.S.R. early in 1957 until it was replaced by the T-55 in January 1958, and it was during this time that T-54 production was initiated in China, Czechoslovakia and Poland.

READ BEFORE ASSEMBLY

CAUTION

- Read carefully and fully understand the instructions before commencing assembly. A supervising adult should also read the instructions if a child assembles the model.
- When assembling this kit, tools including knives used. Extra care should be taken to avoid personal injury.
- Keep out of reach of small children. Children must not be allowed to suck any part, or pull vinyl bag over their heads.



Optional



Fill Holes



Be Careful



Remove



Drill



Instant Glue
for Metal



Do Not Cement

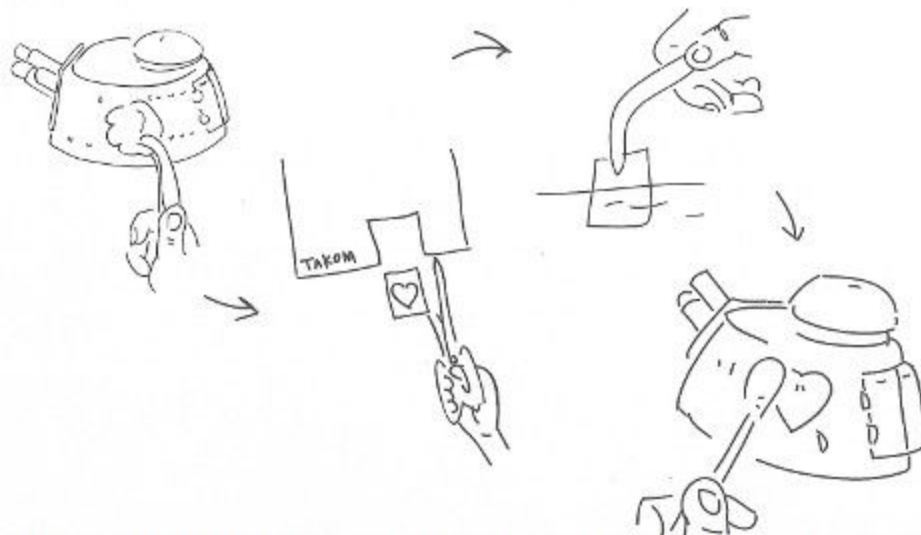
PAINTS REQUIRED

Color info and profiles by Mig Jimenez

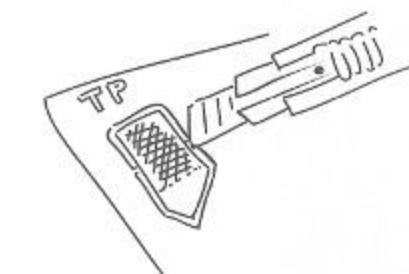
A.MIG.003	Rubber & Tire	A.MIG.004	Black	A.MIG.005	Old Wood	A.MIG.006	Gunmetal
A.MIG.007	Zabornický Zeleno	A.MIG.008	Sand Yellow	A.MIG.009	Wool Black	A.MIG.010	Red Brown Light
A.MIG.011	Medium Brown	A.MIG.012	Dark Green	A.MIG.013	Grey Strive	A.MIG.014	White/Camo

APPLYING DECALS

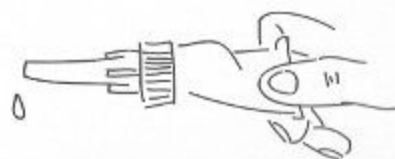
1. Clean the model surface with a wet cloth.
2. Cut out each decal design from sheet, and dip it in tepid water for 15~20 sec.
3. Hold the backing sheet edge and slide decal onto the model.
4. Move decal into position by wetting decal with finger.
5. Press decal gently down with a soft cloth until excess water and air bubbles are gone.



REMOVING PE



Be careful not to hurt when removing PE parts.

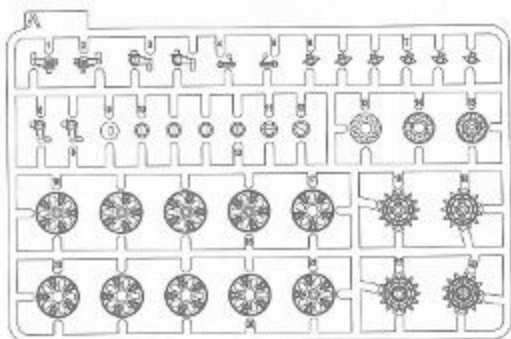


Secure using instant glue (not included).



Finish using file.

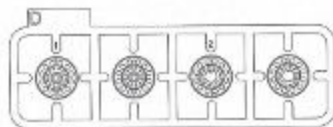
PARTS



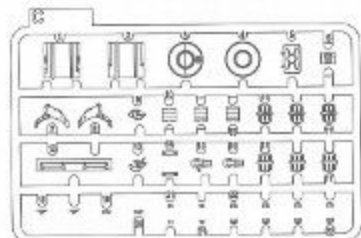
X2



X4



X5



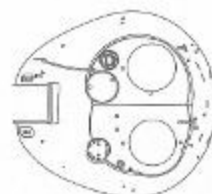
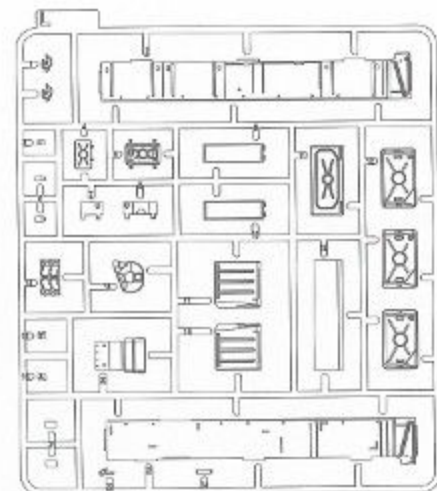
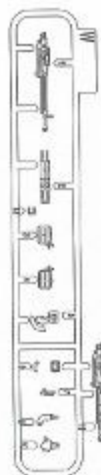
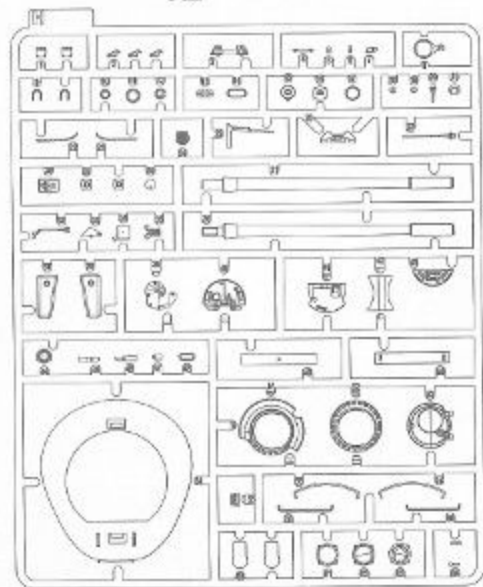
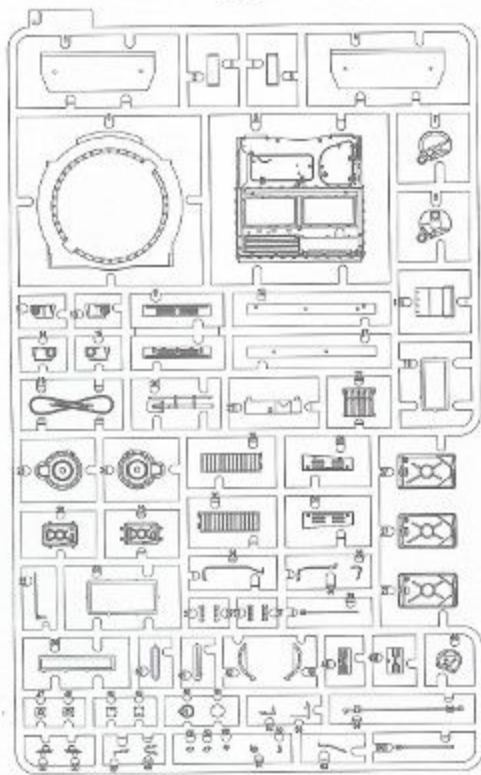
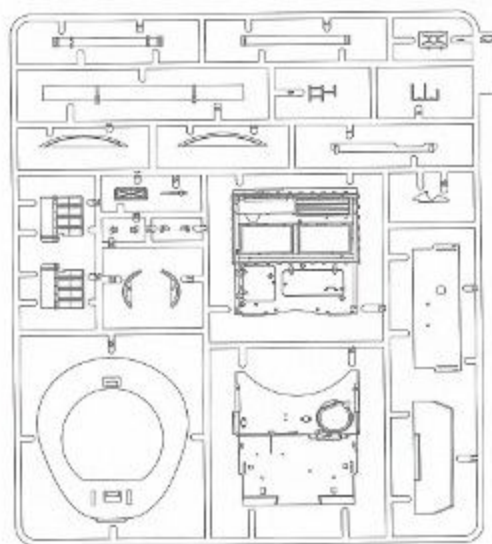
X2



●
Poly Cap
X2



X184



Turret



Decal



TP

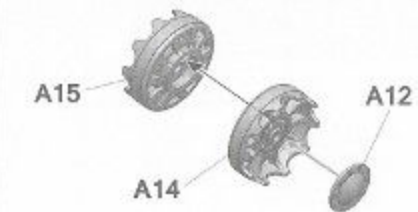
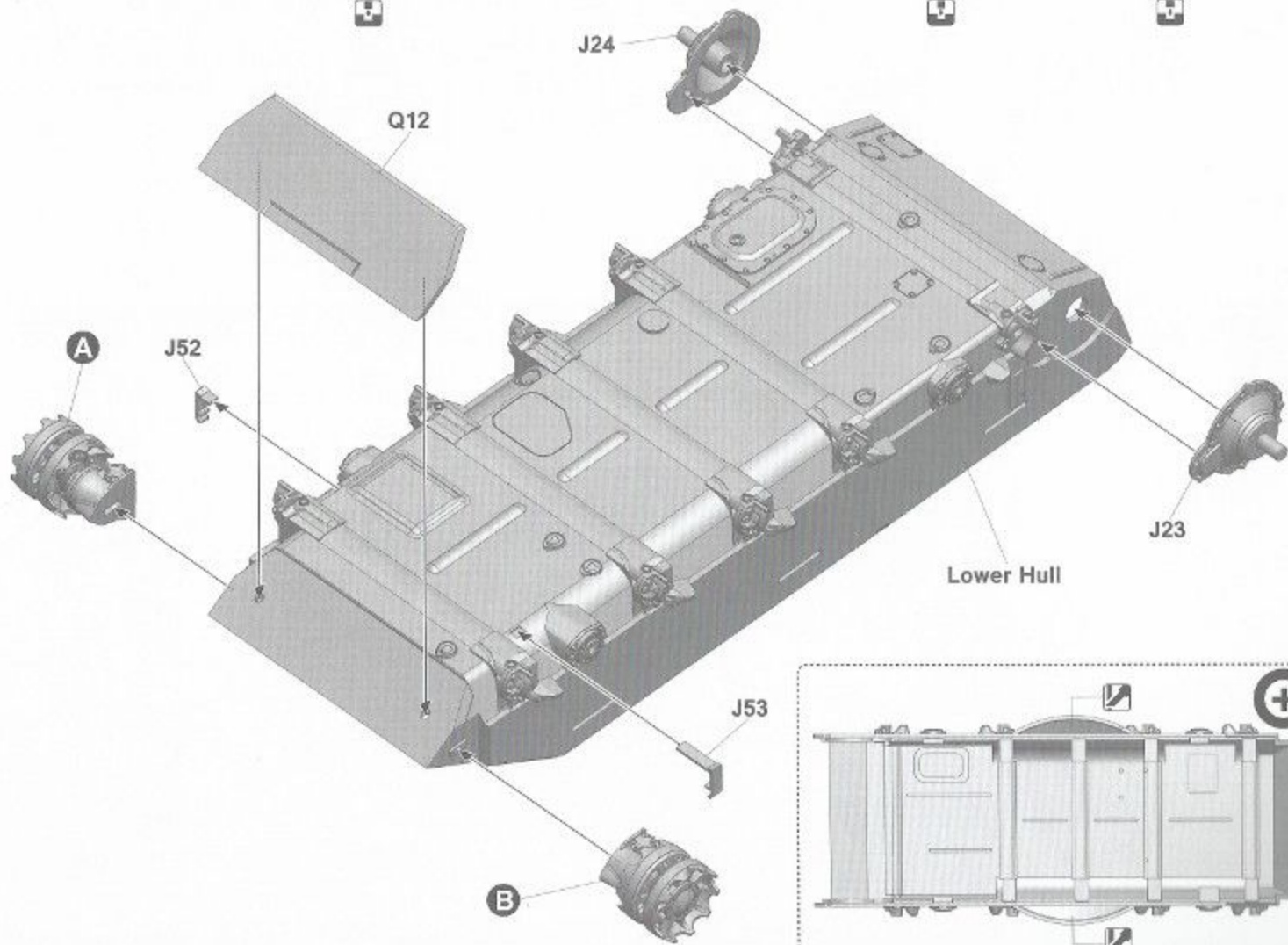
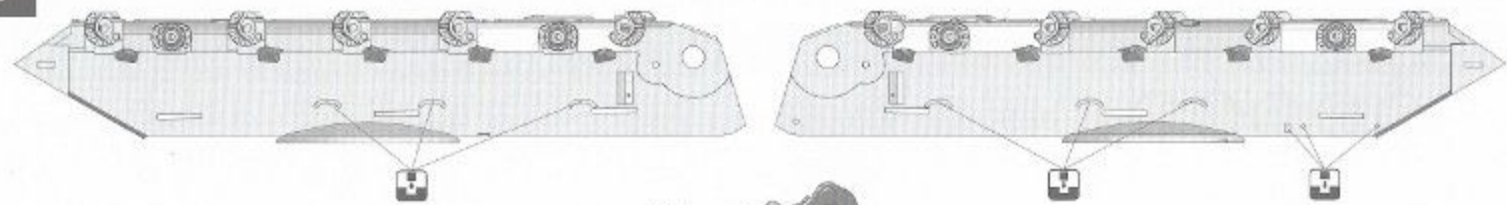


Dust Cover

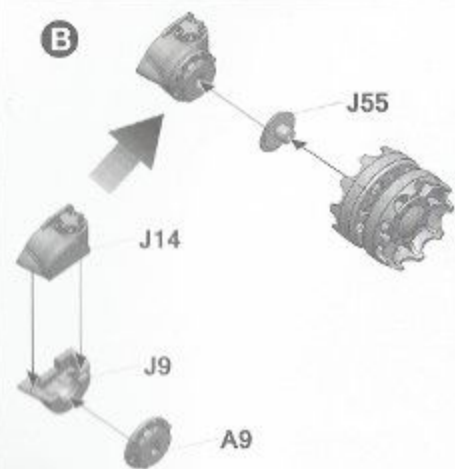
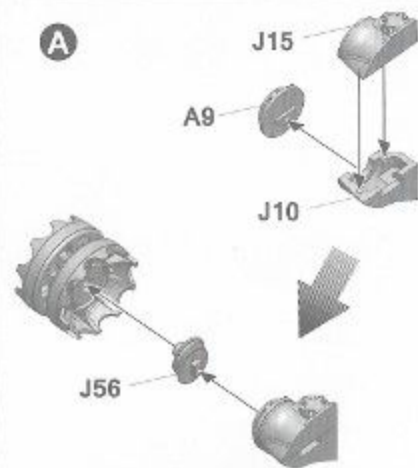


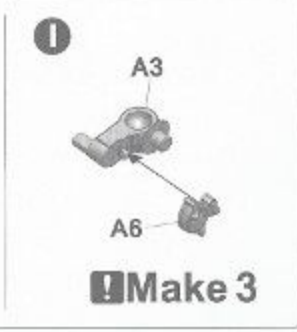
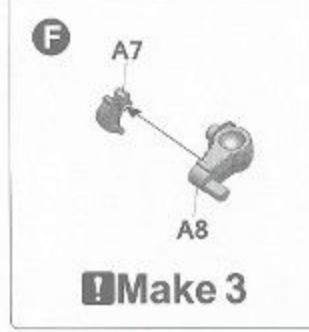
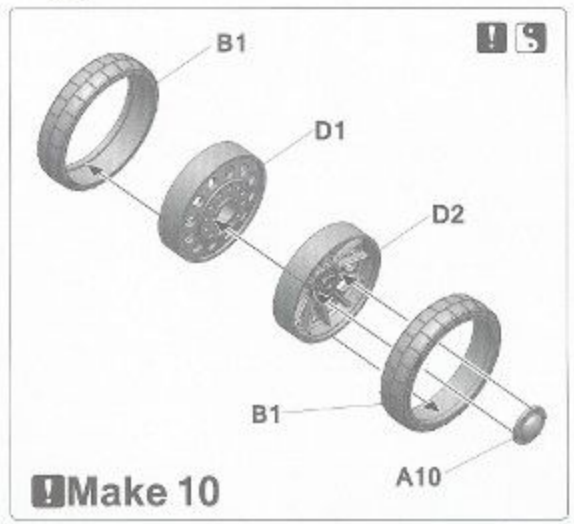
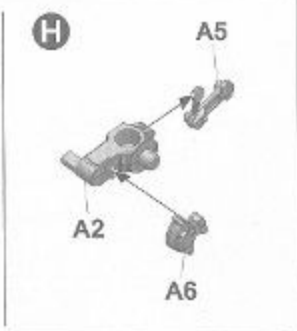
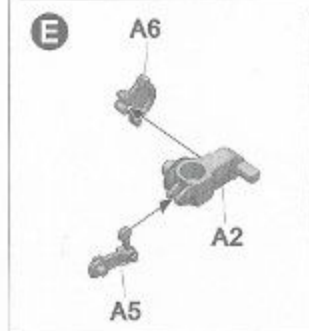
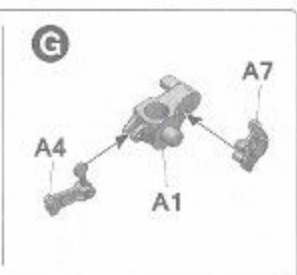
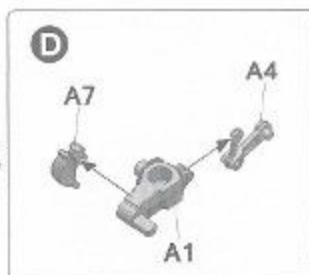
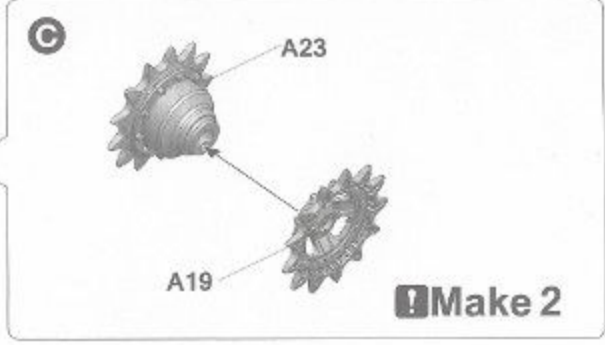
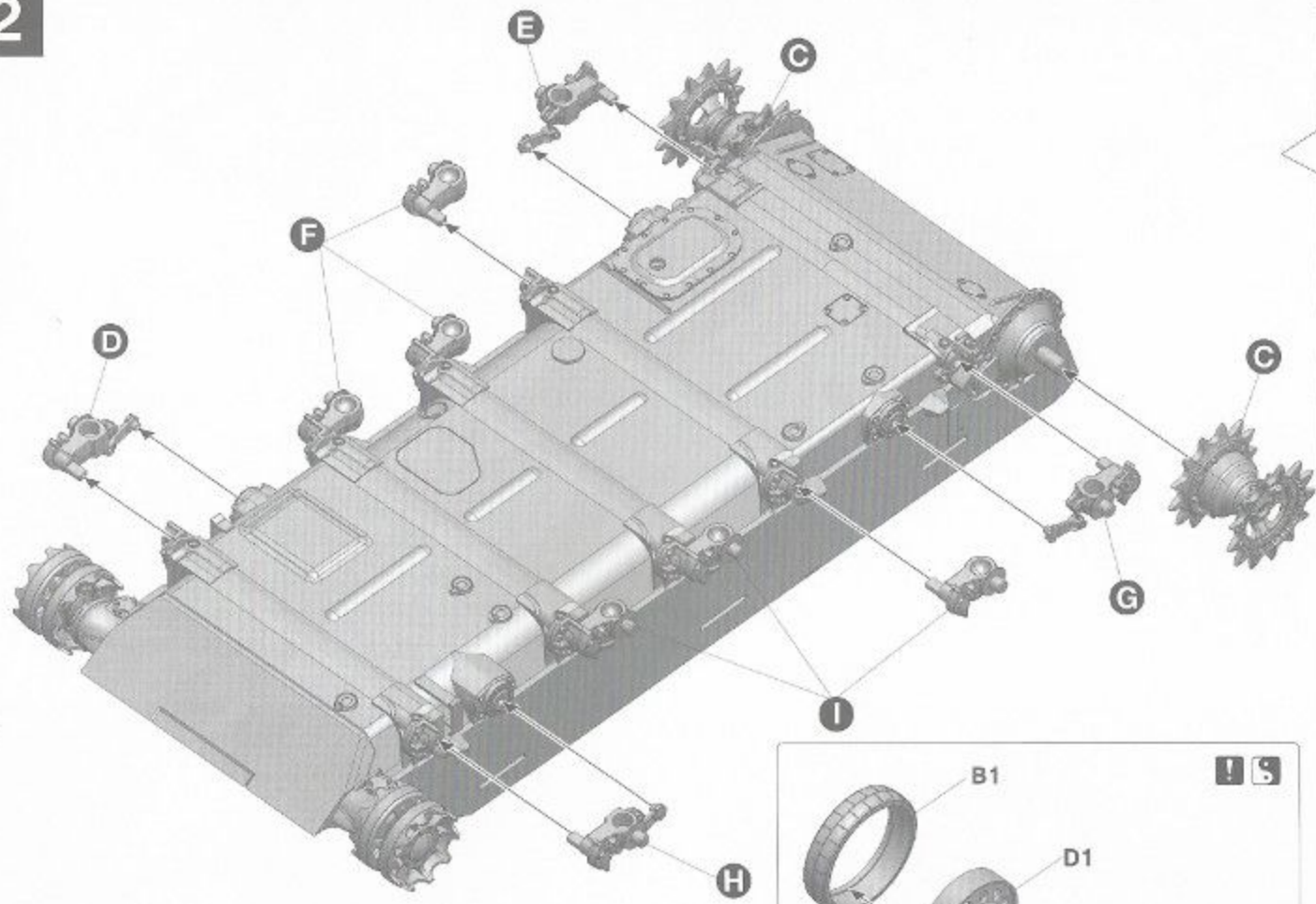
Lower Hull

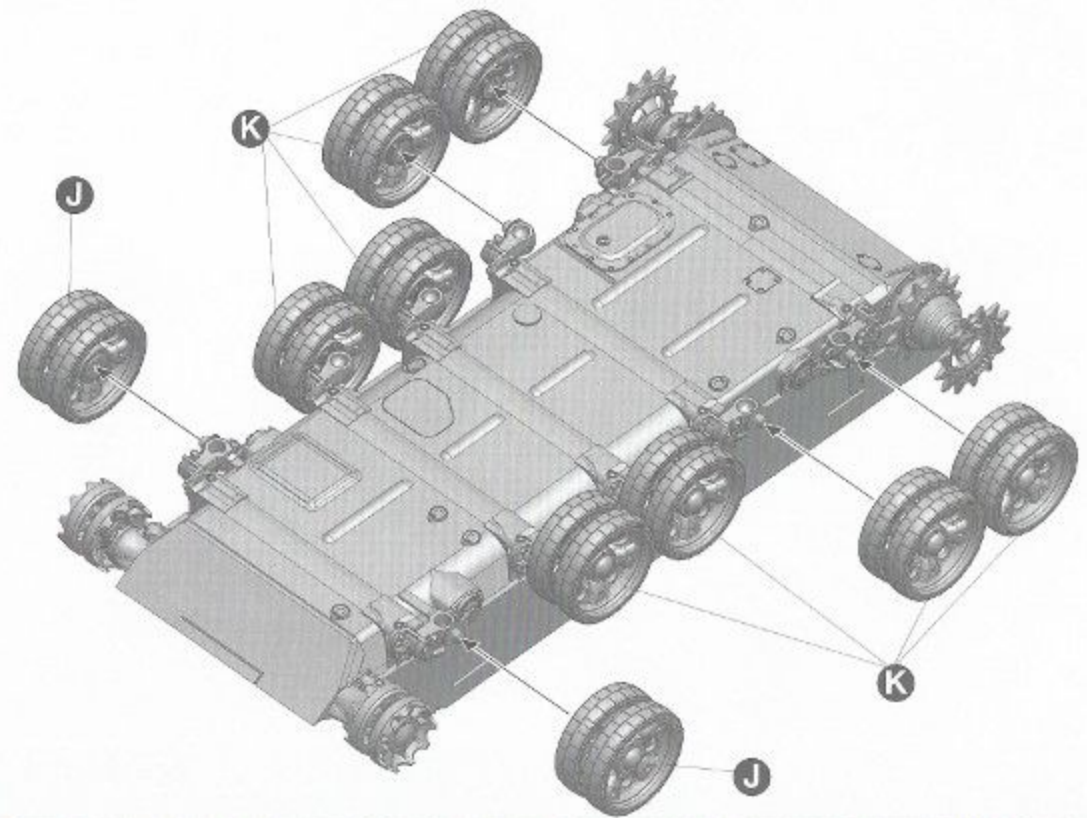
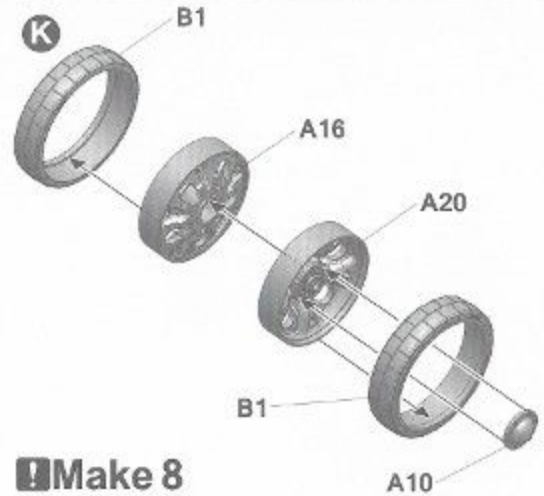
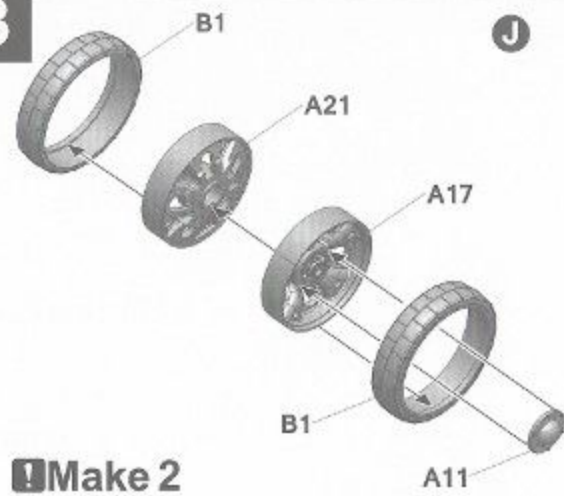
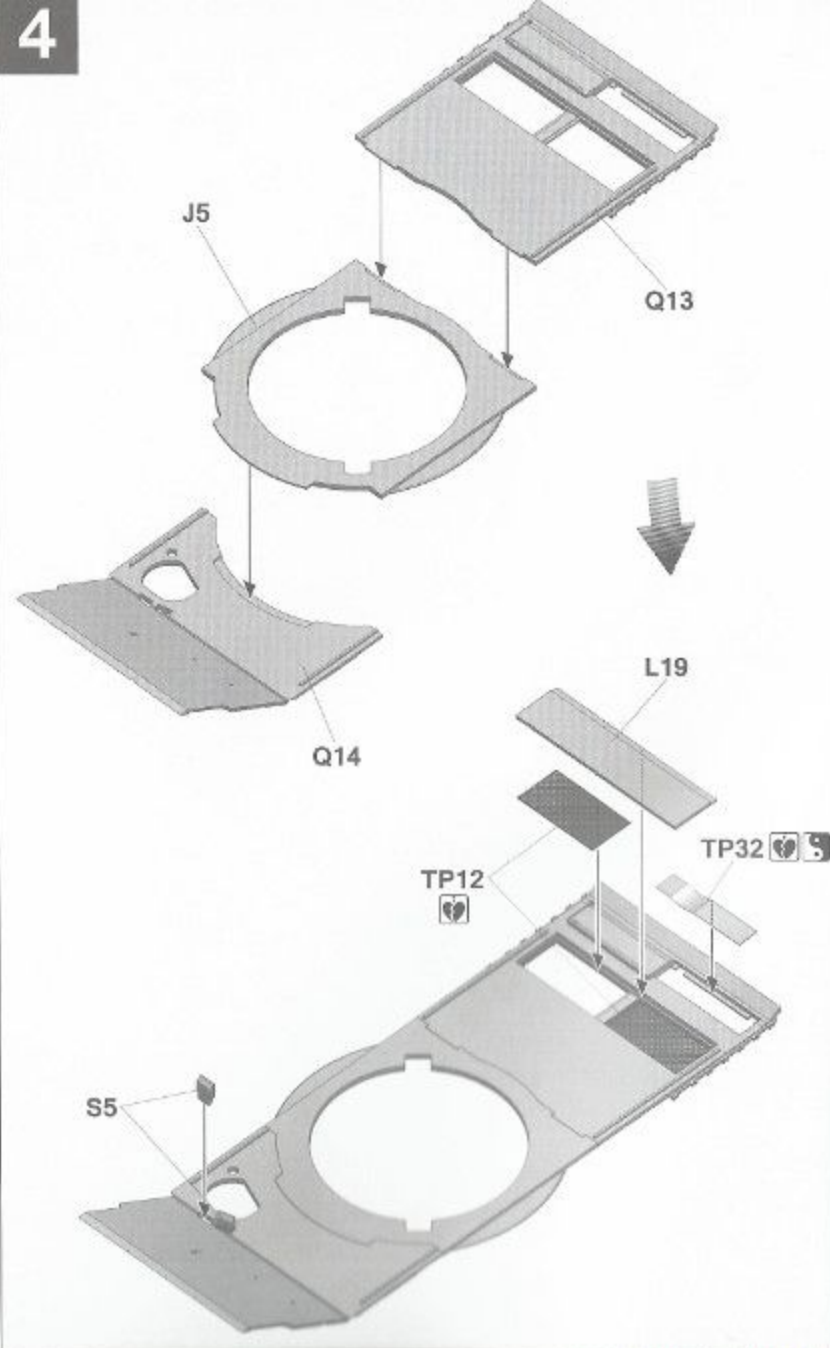
— Cable



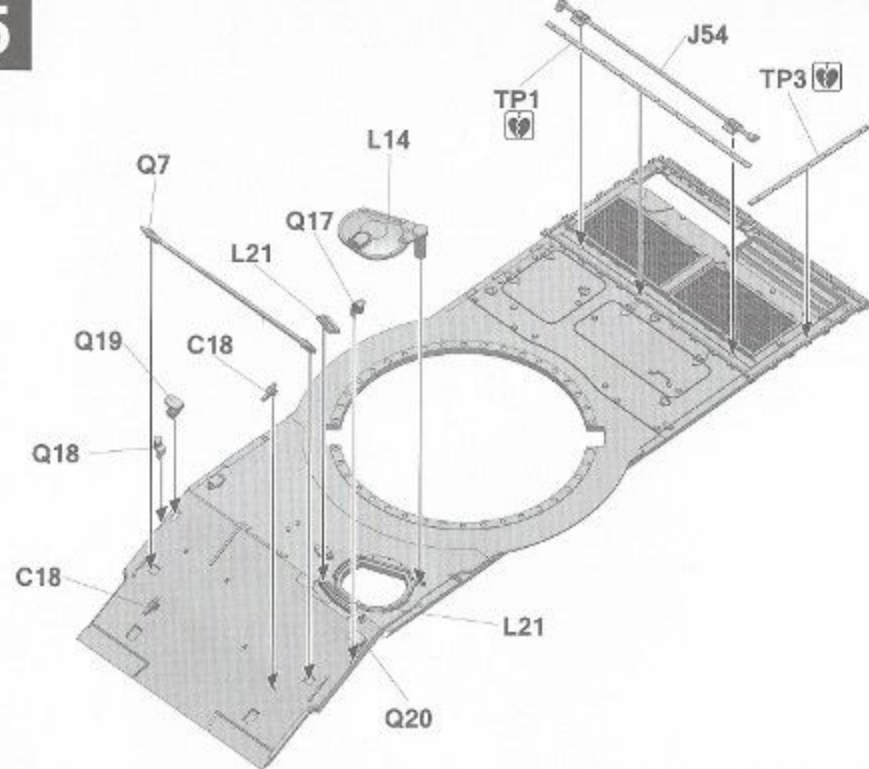
Make 2



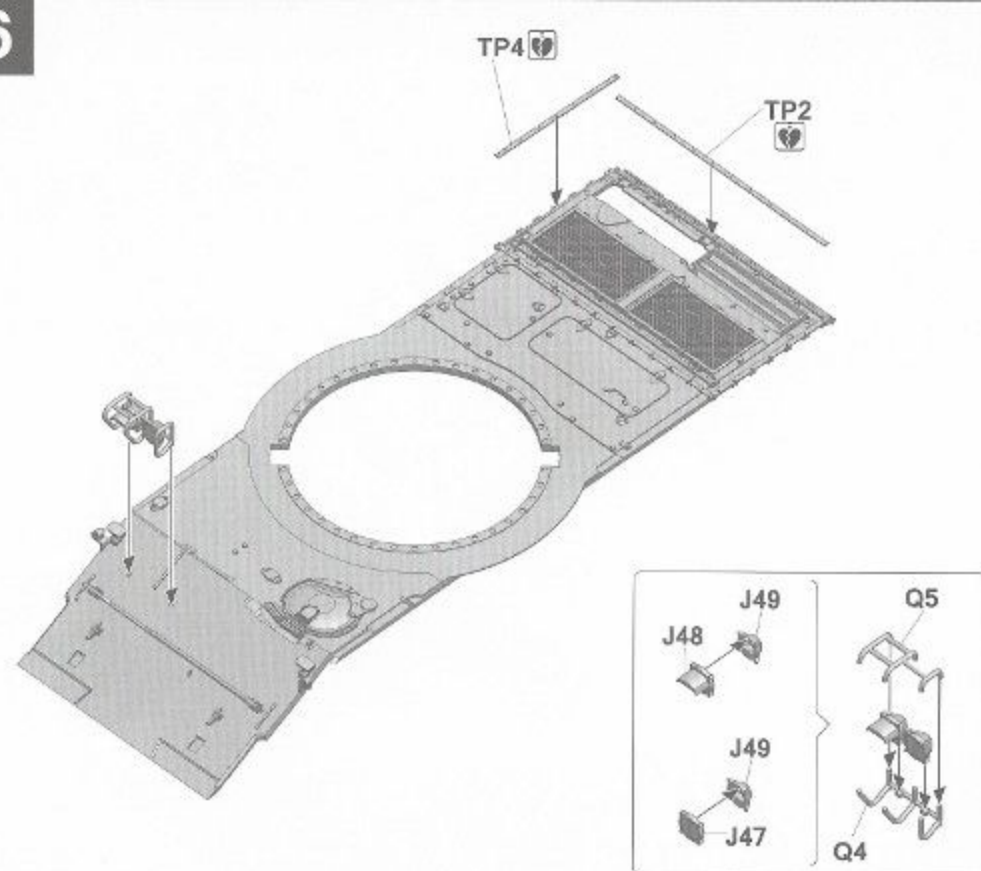


3**4**

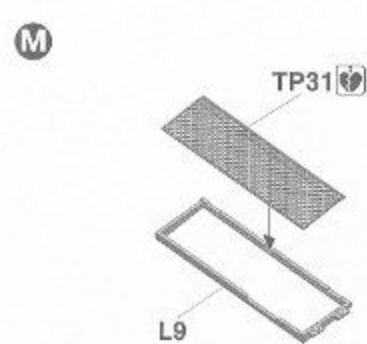
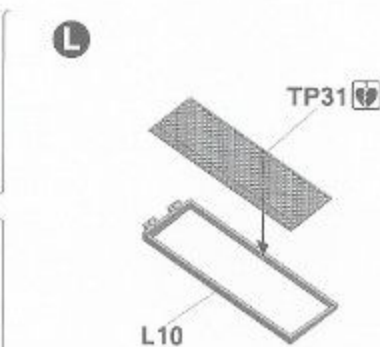
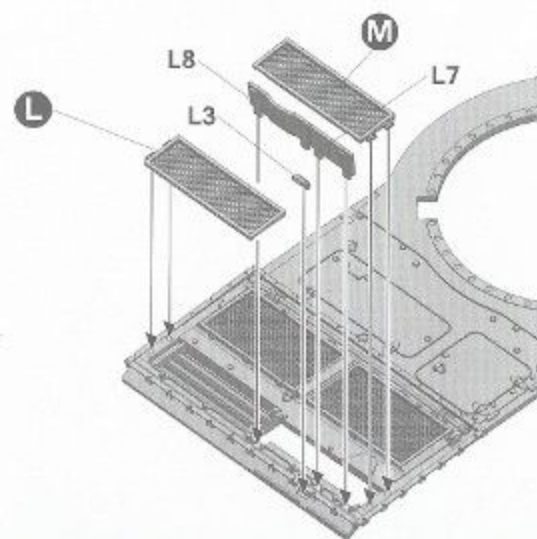
5



6

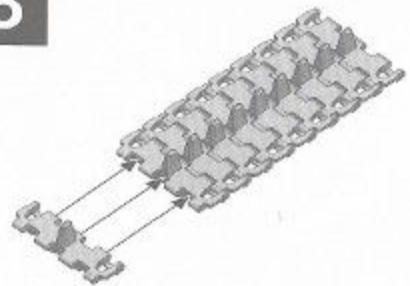


7

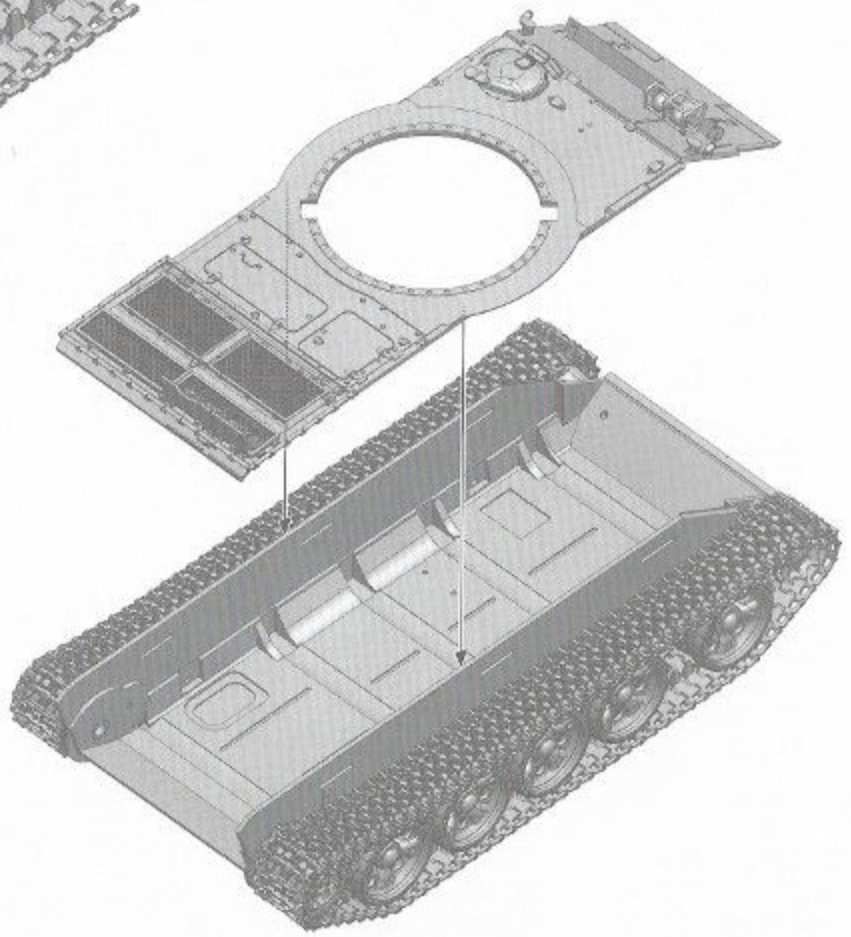


6

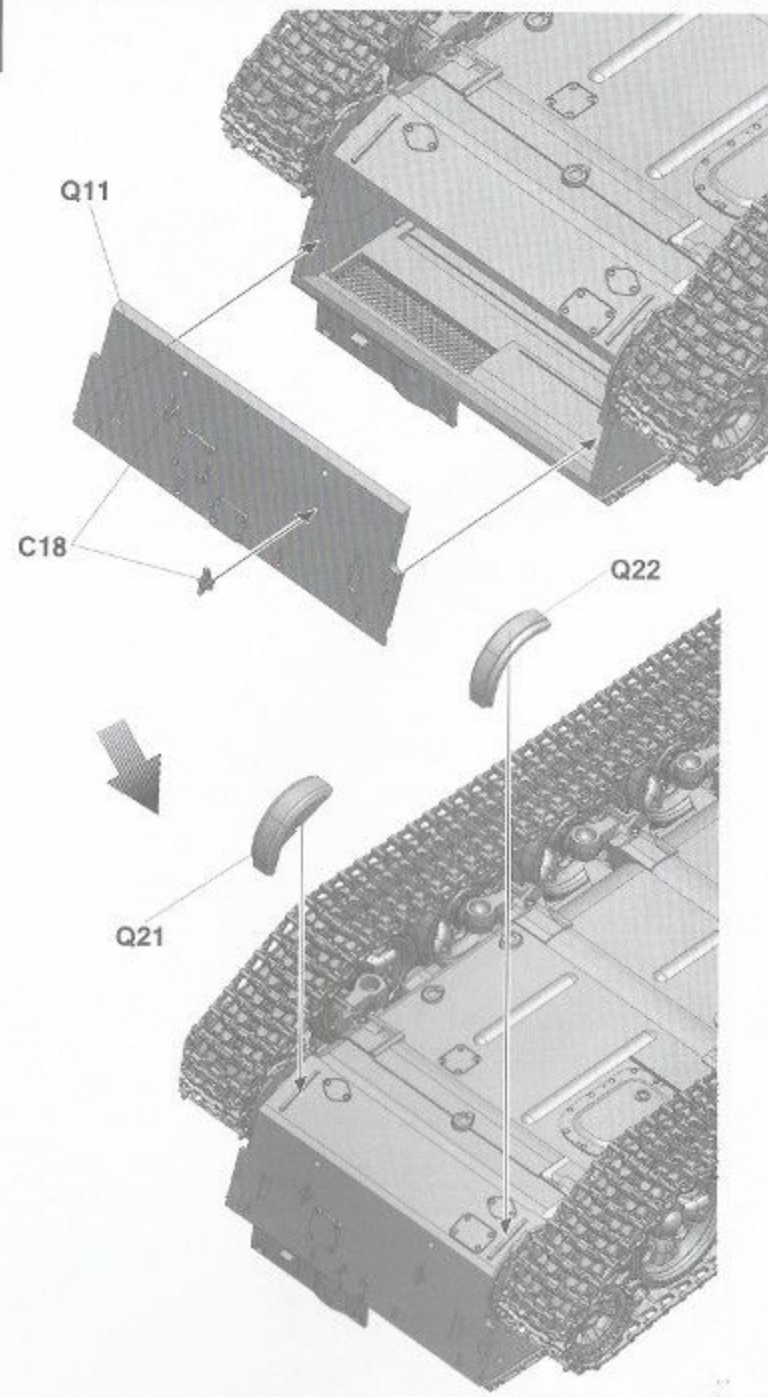
8



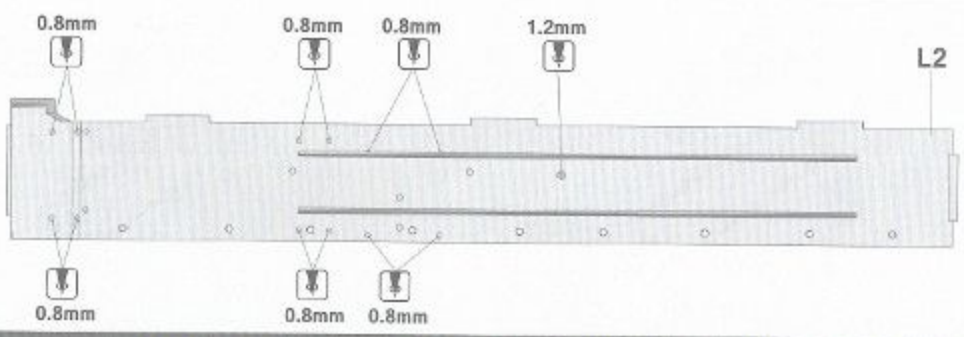
for one side
 Make 92

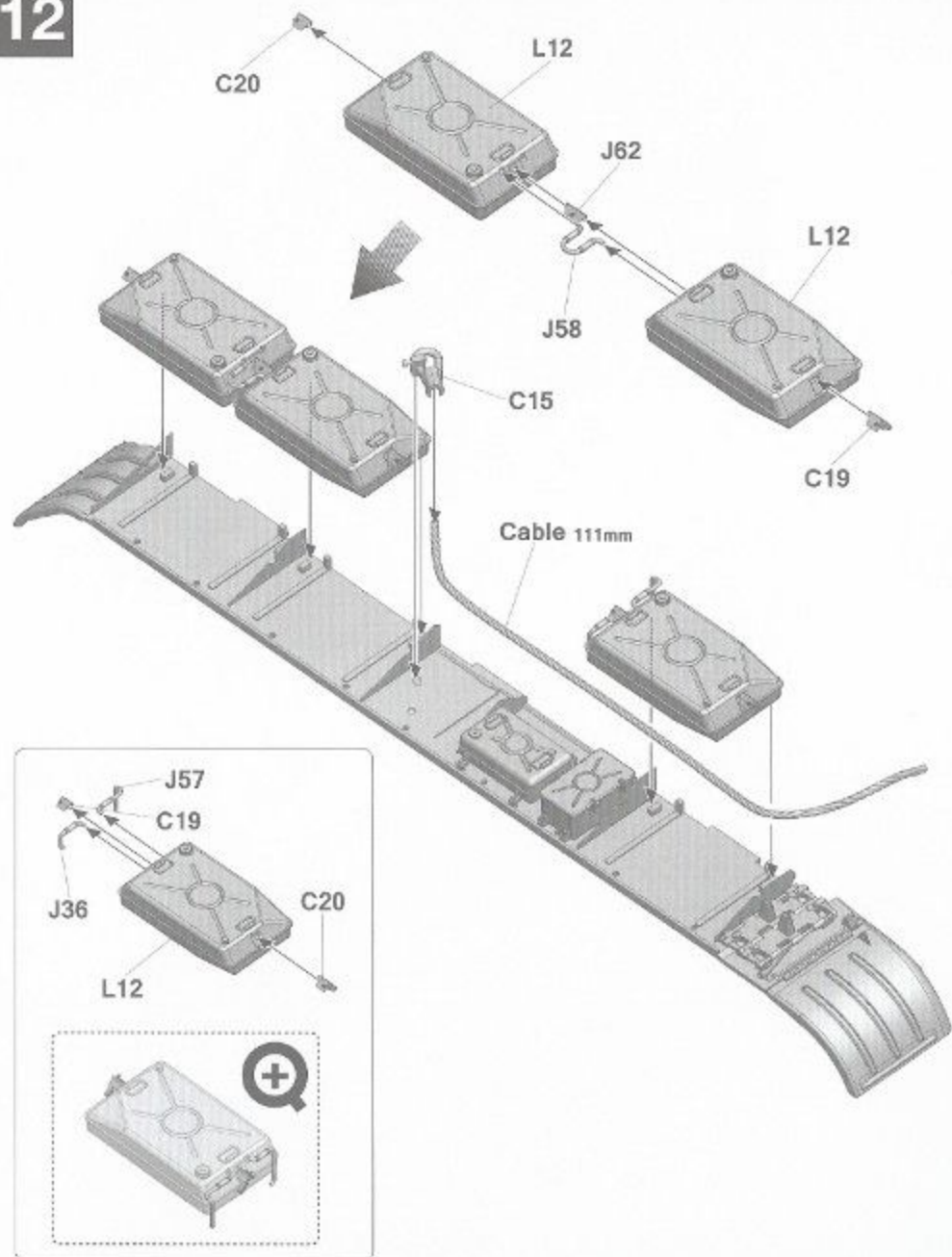
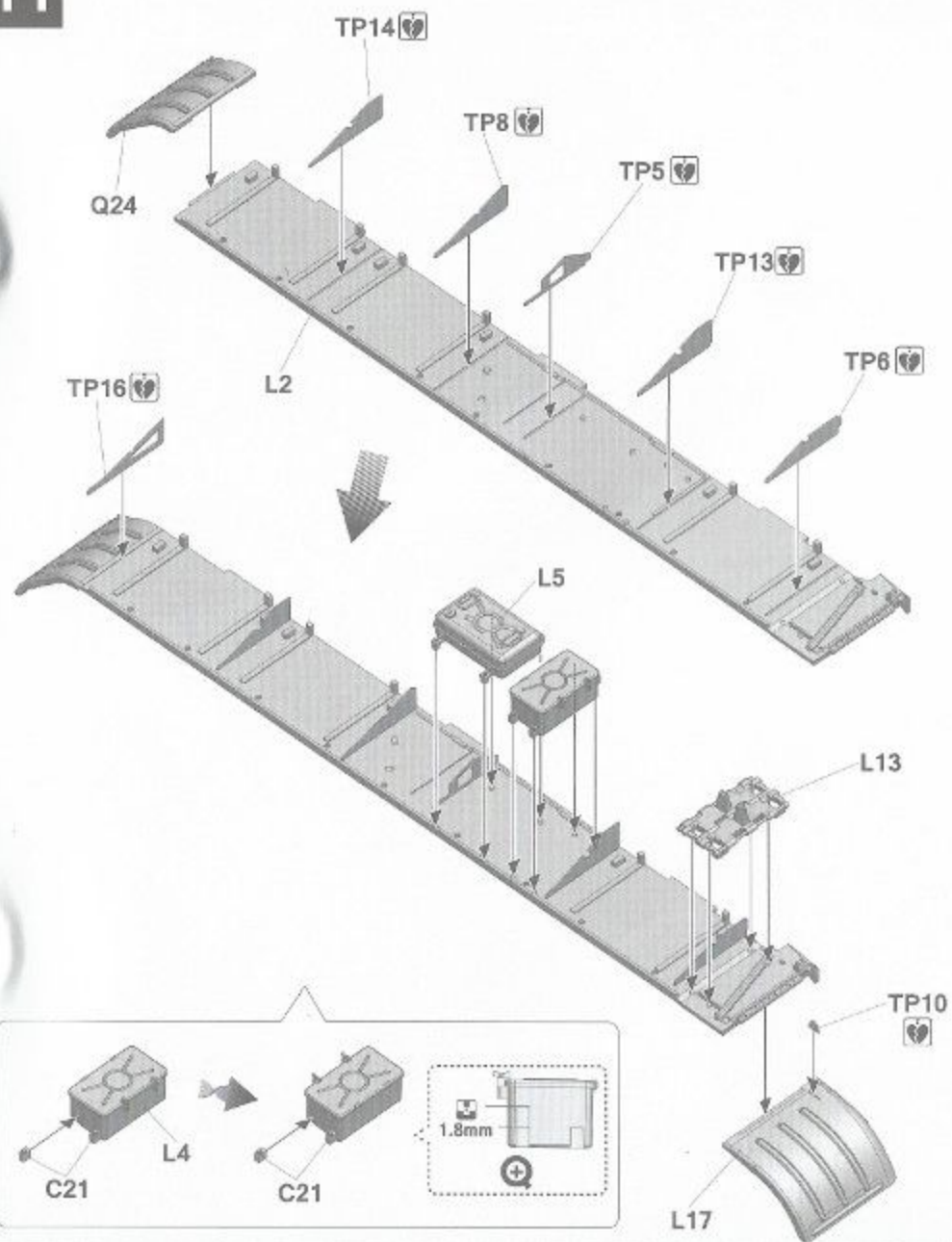


9

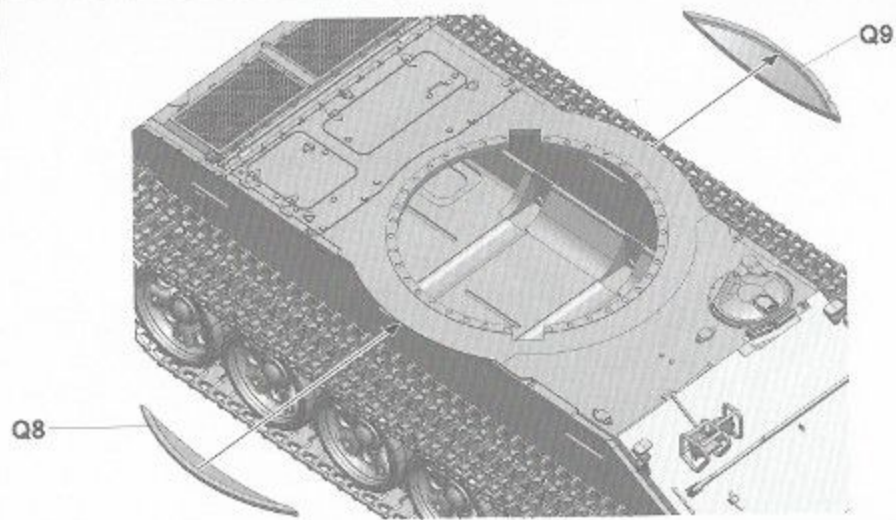


10

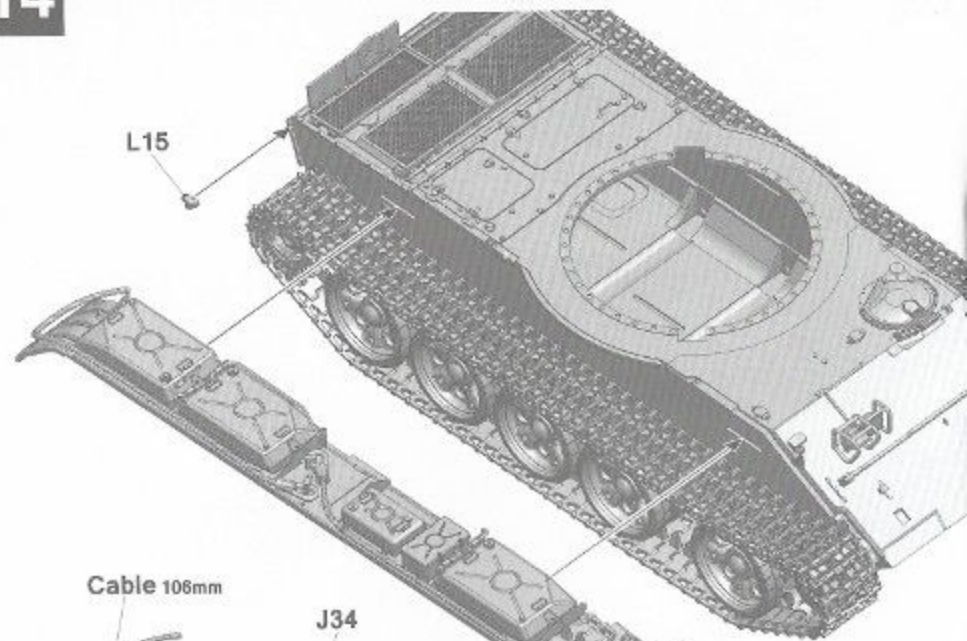




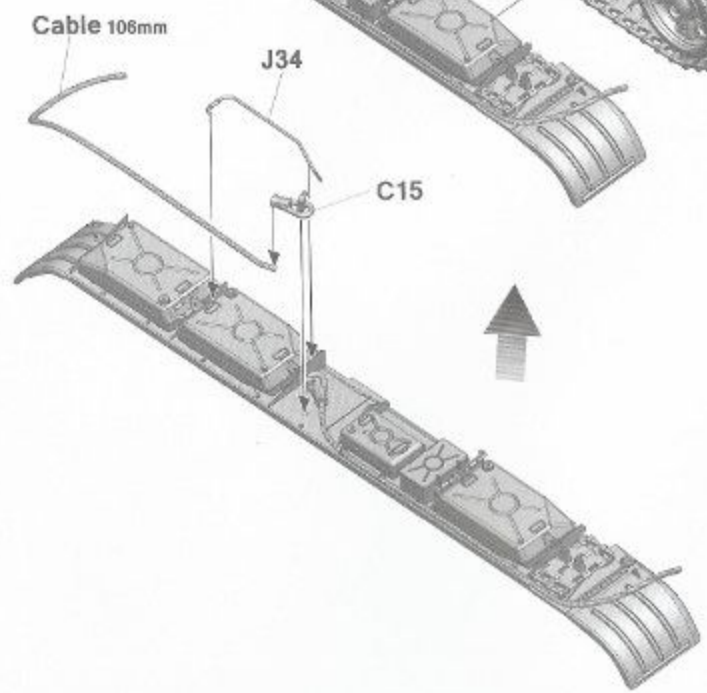
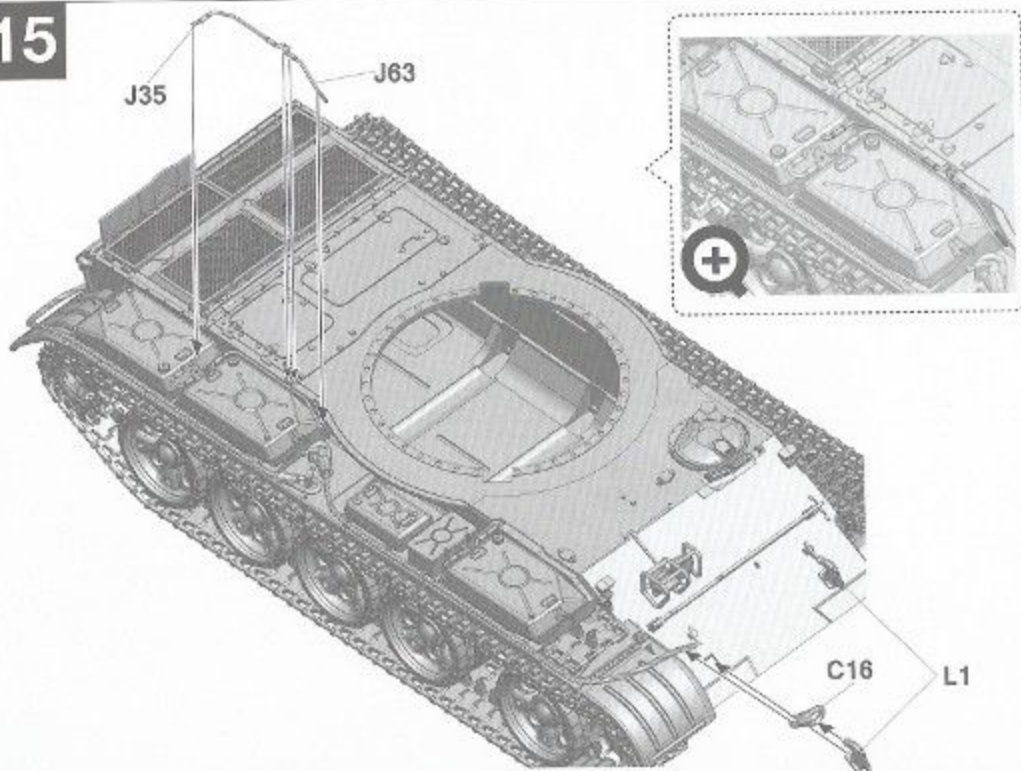
13

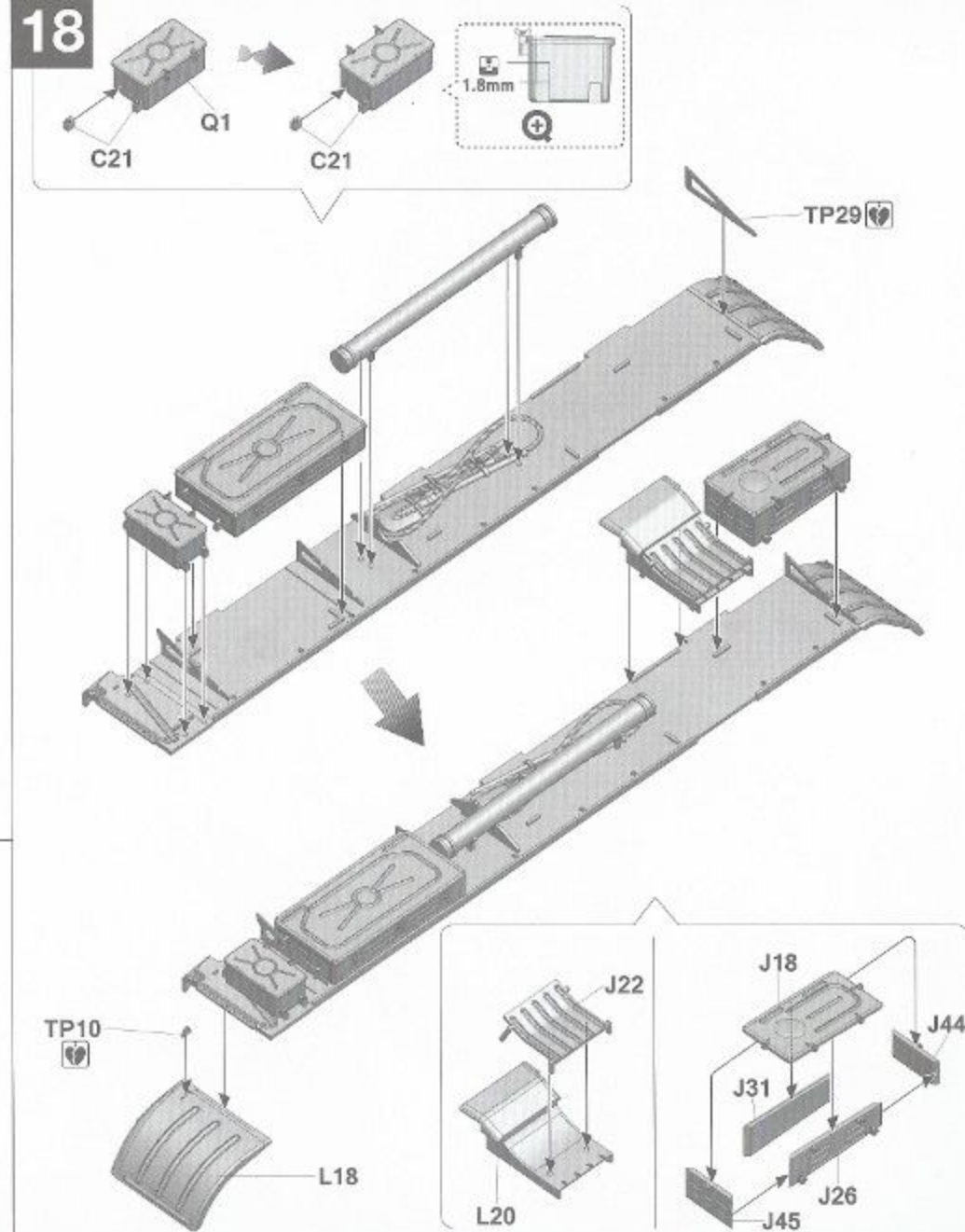
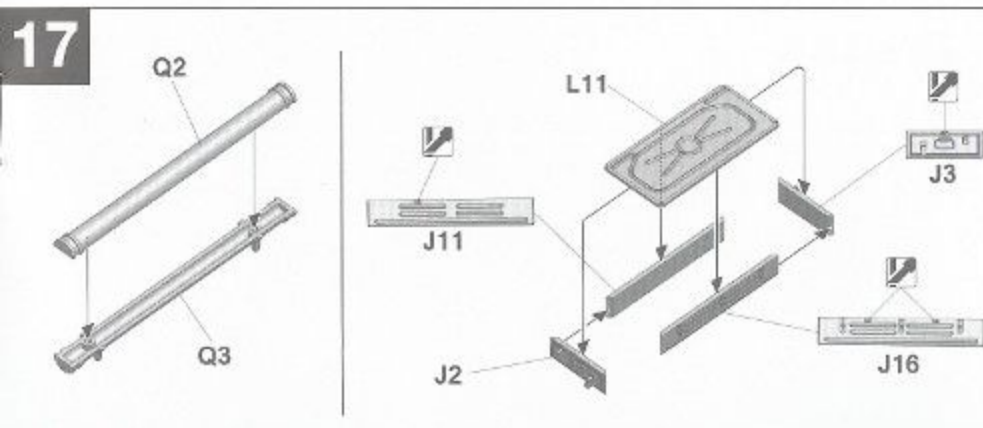
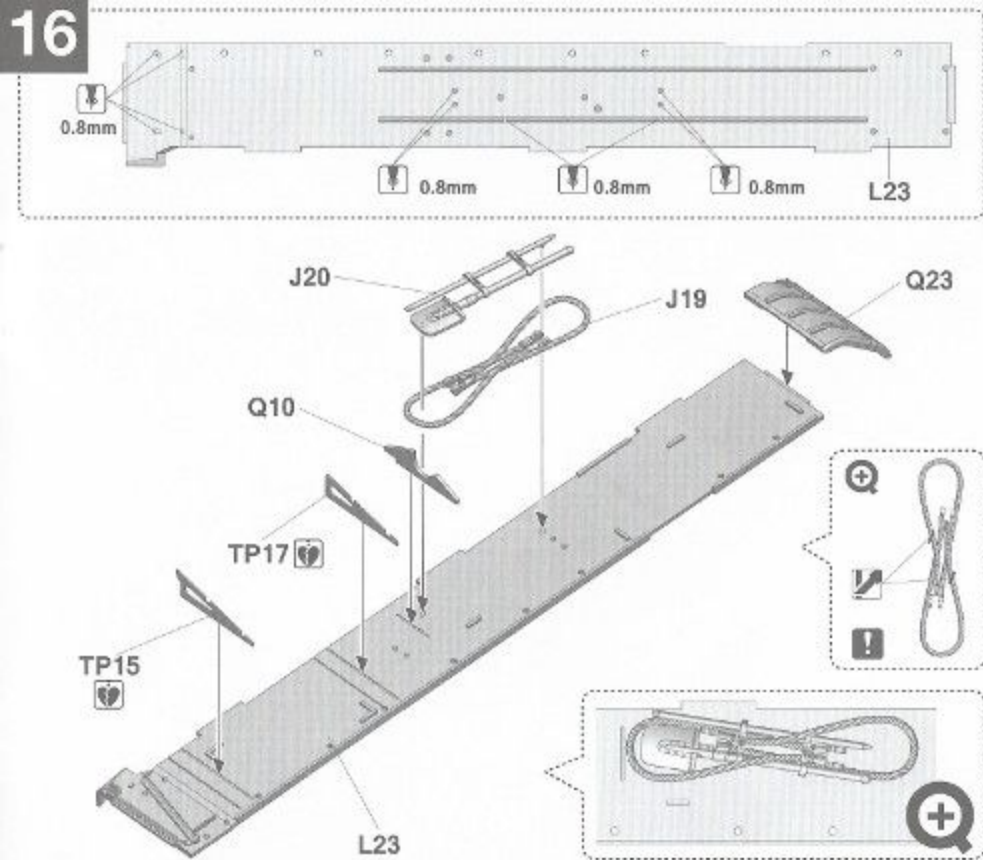


14

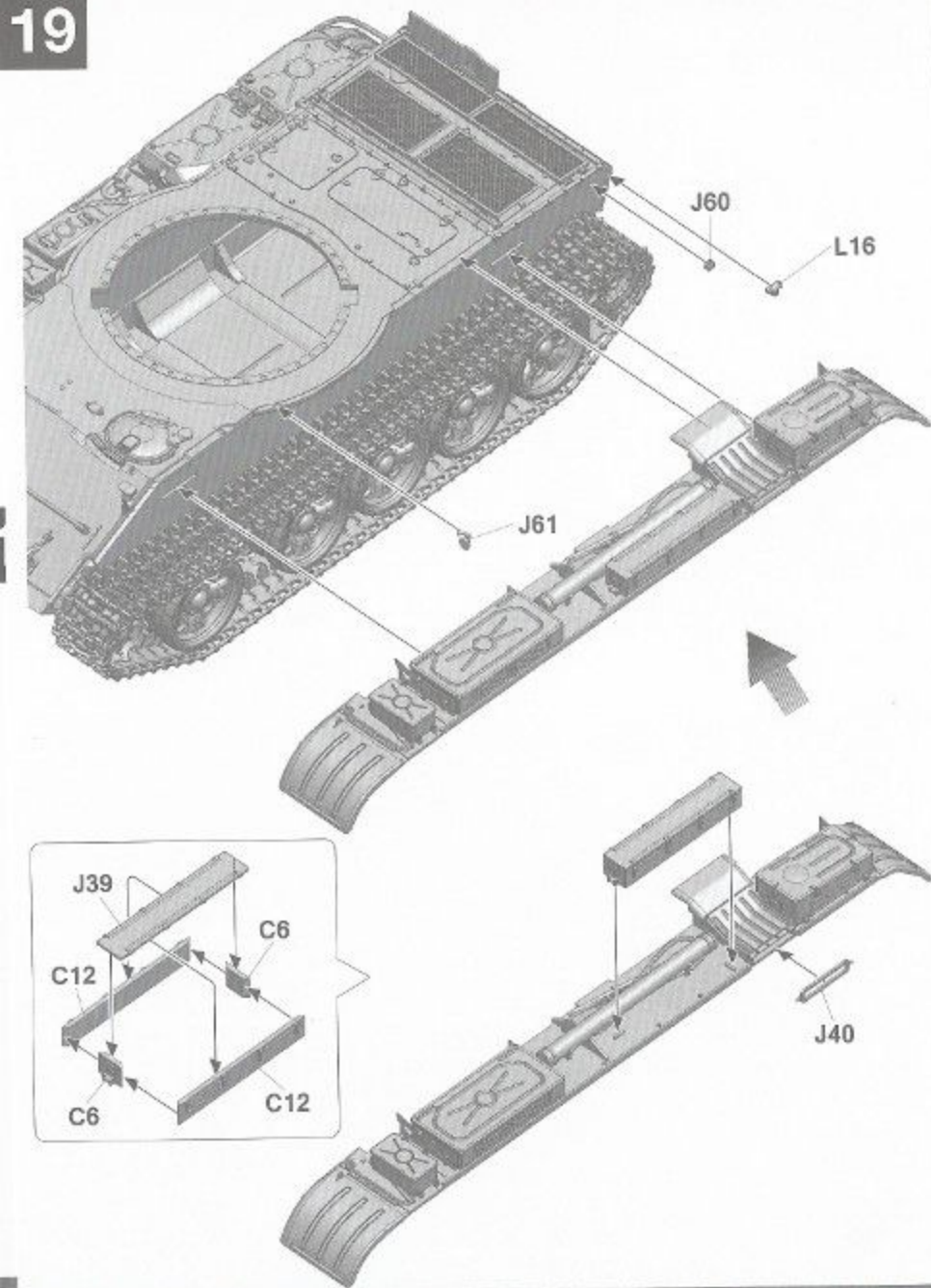


15

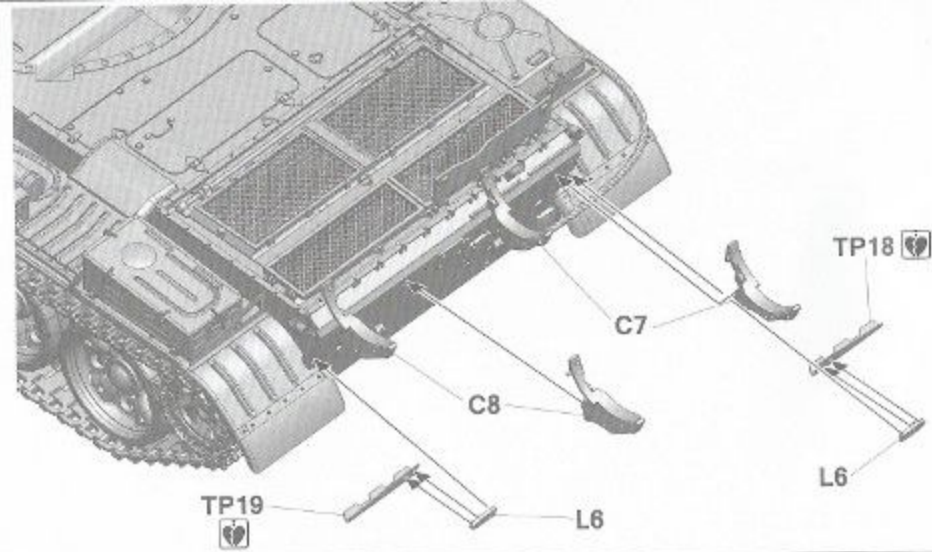




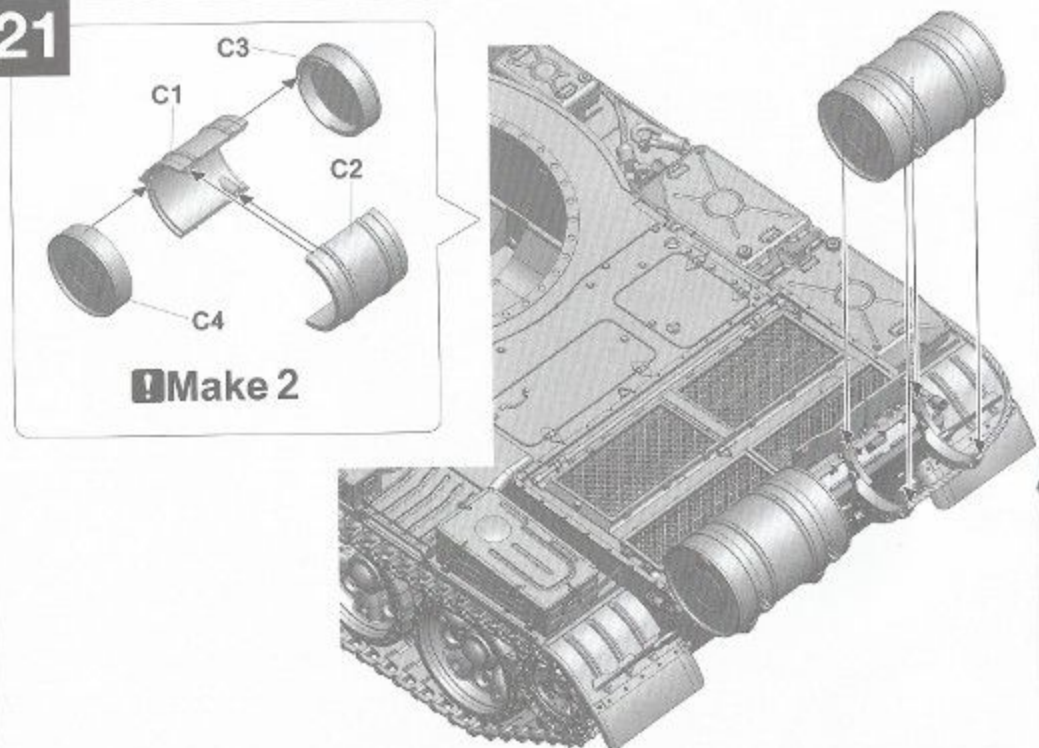
19



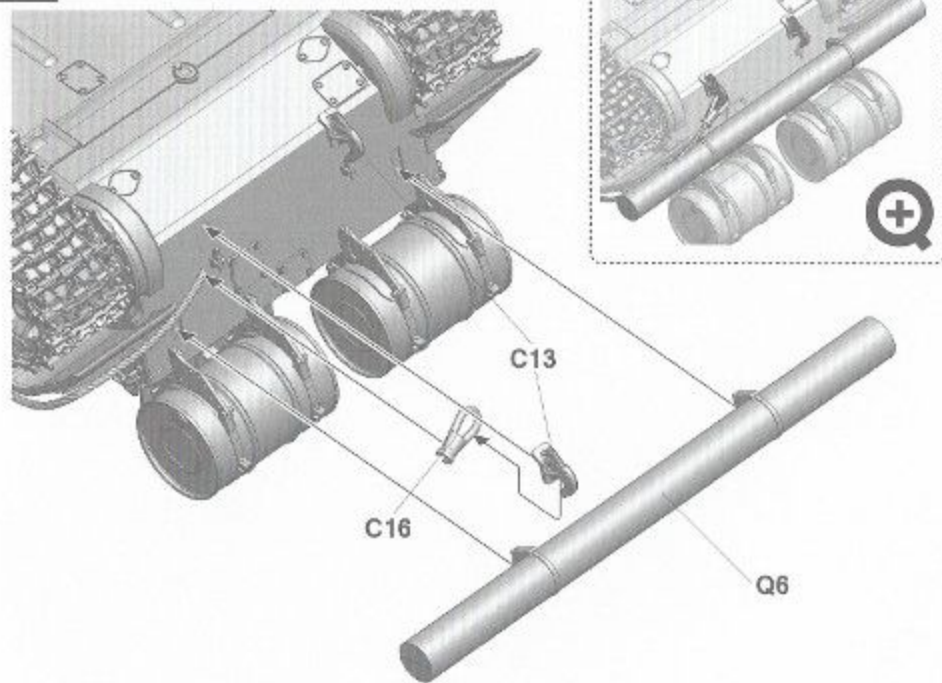
20



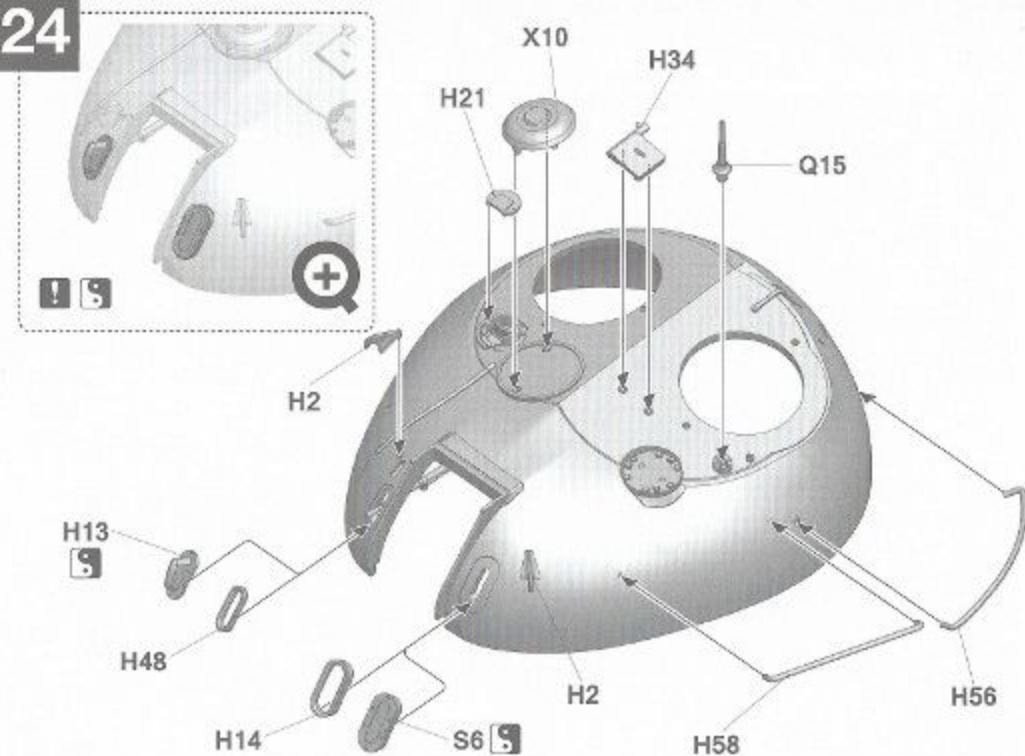
21



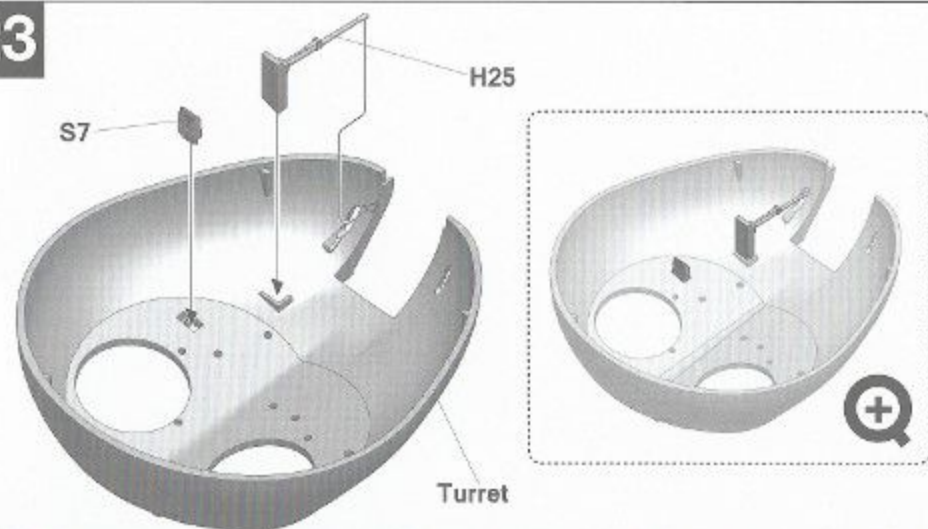
22



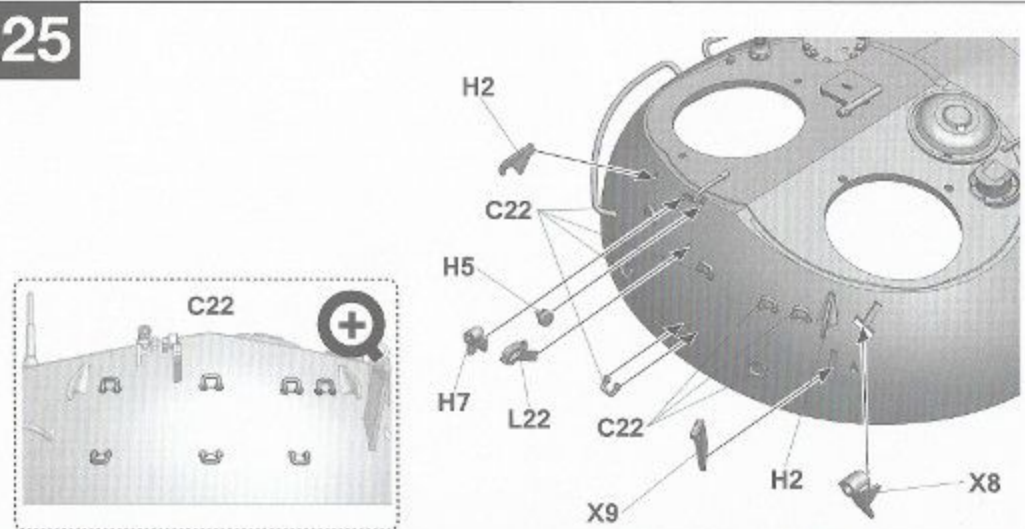
24



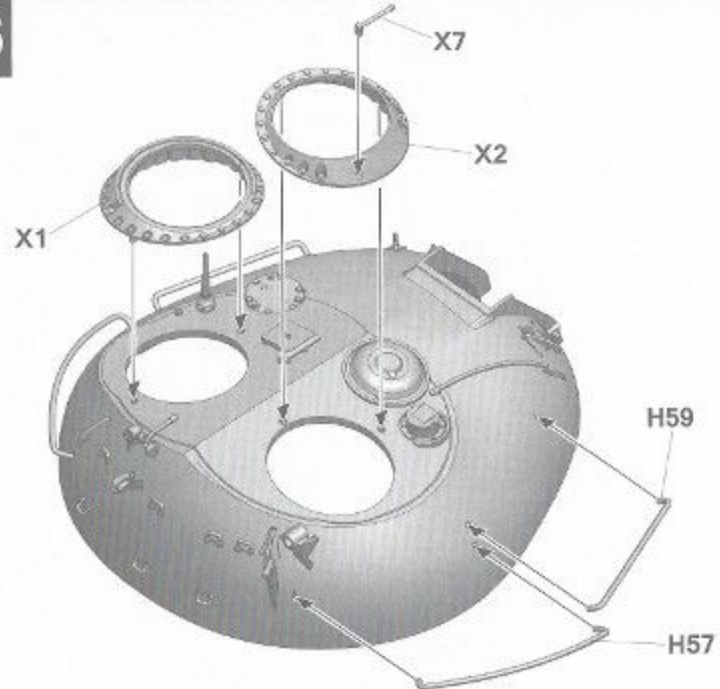
23



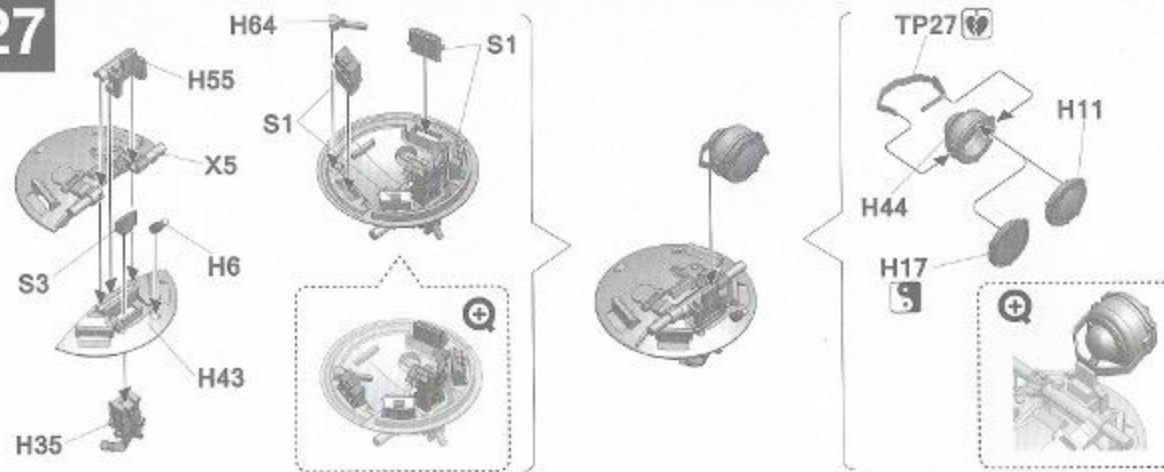
25



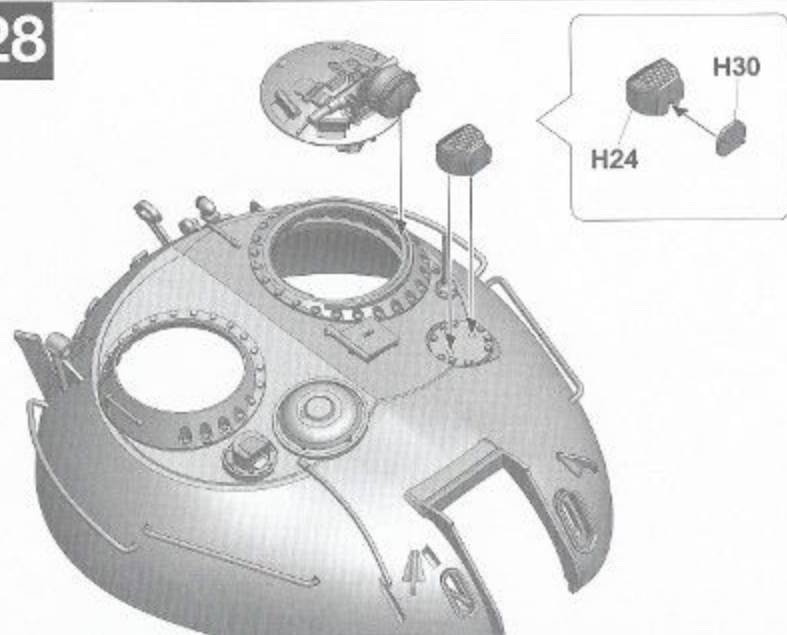
26



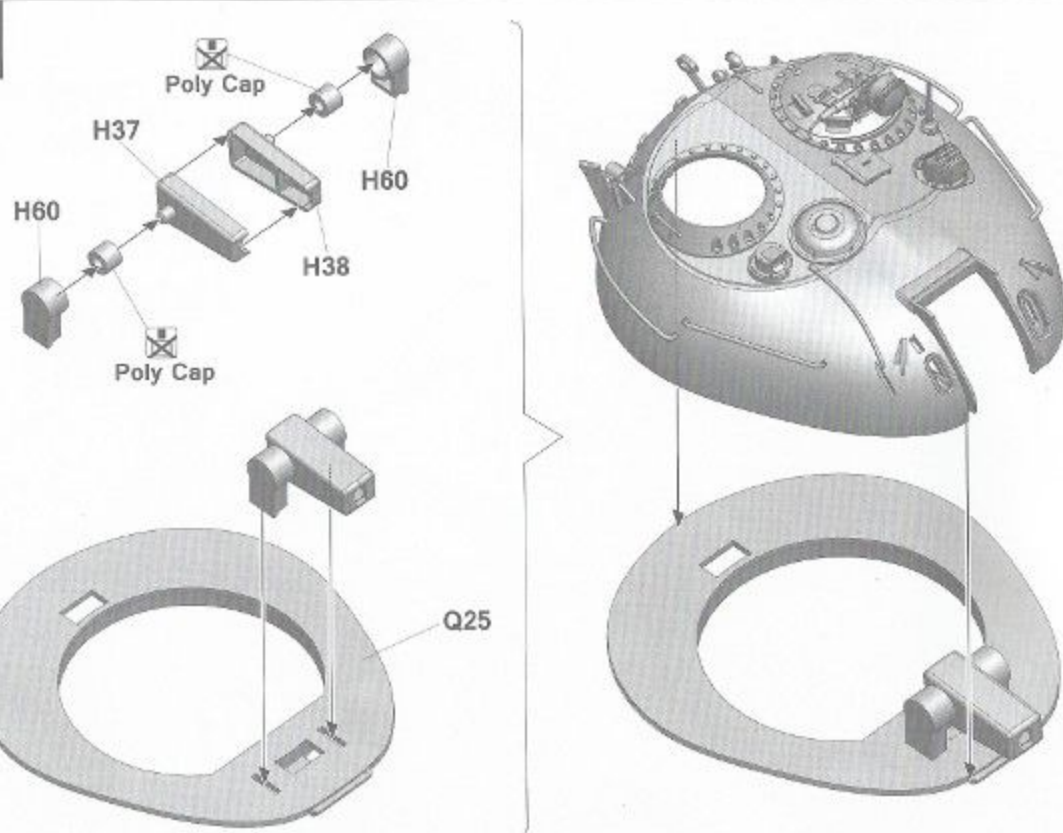
27



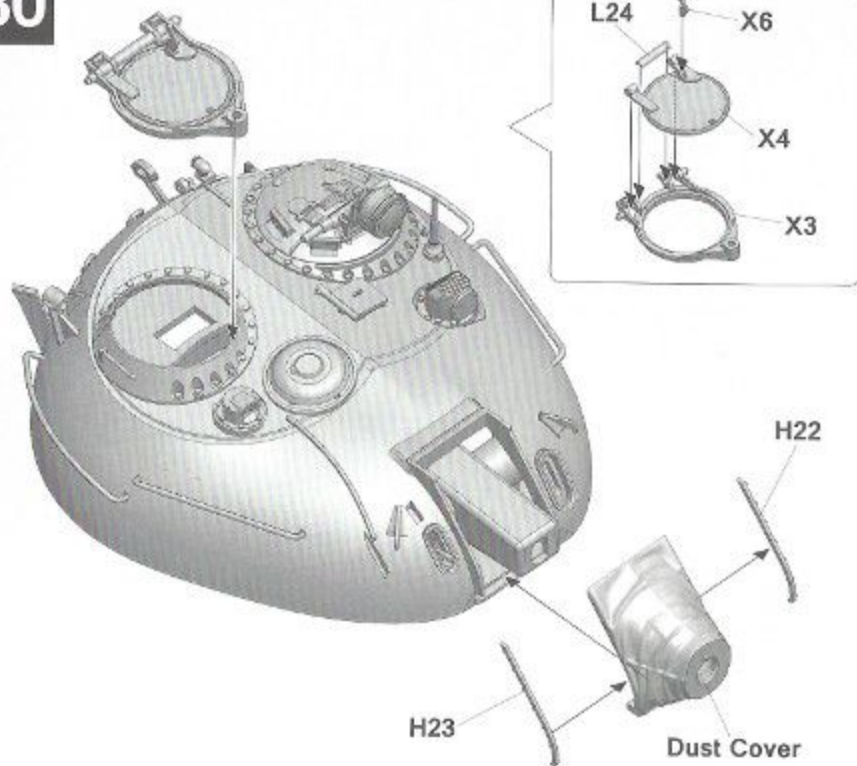
28



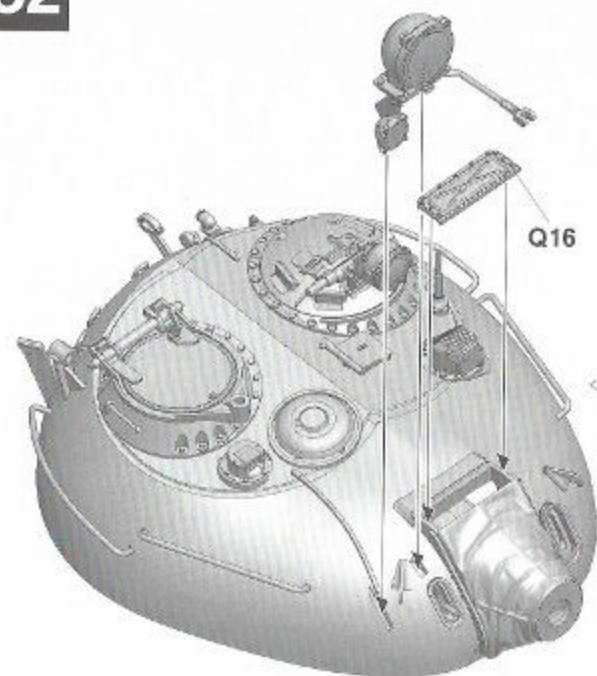
29



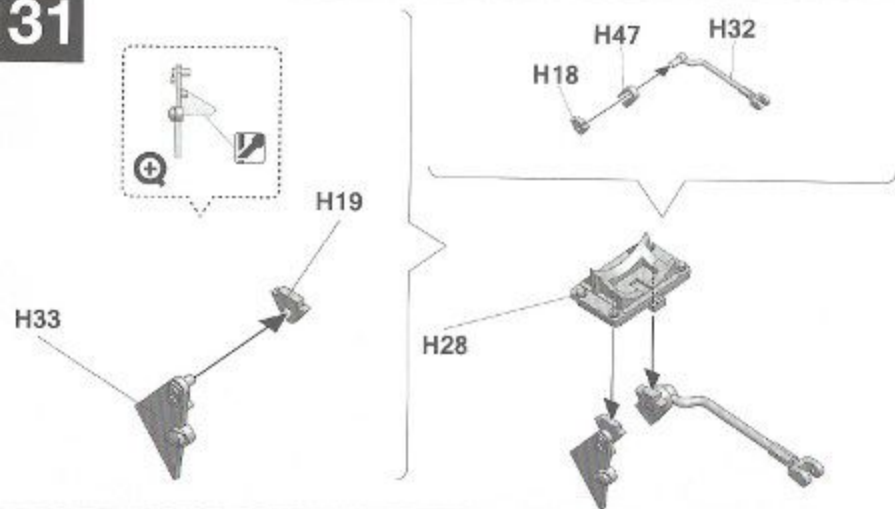
30



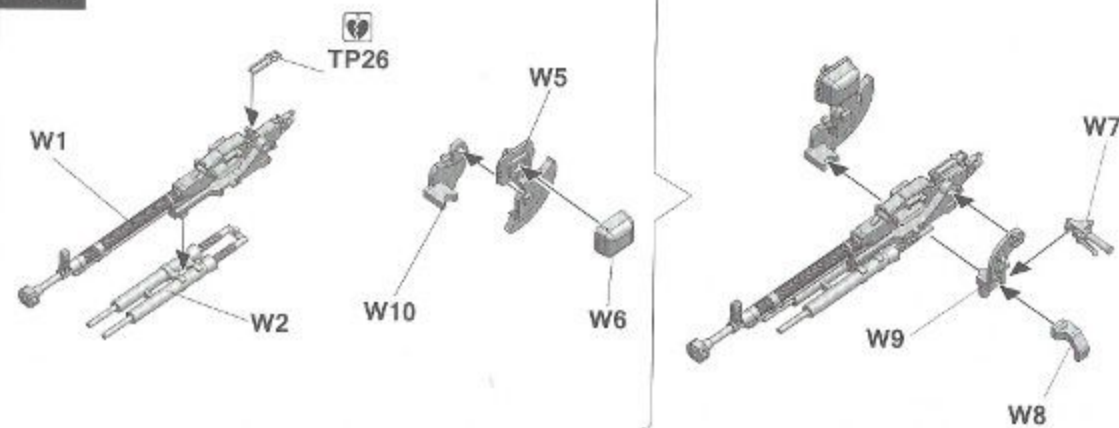
32



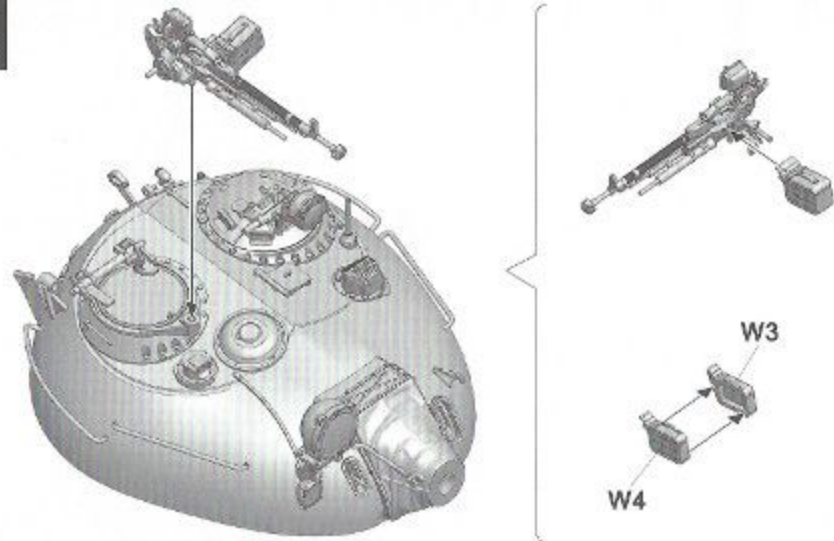
31



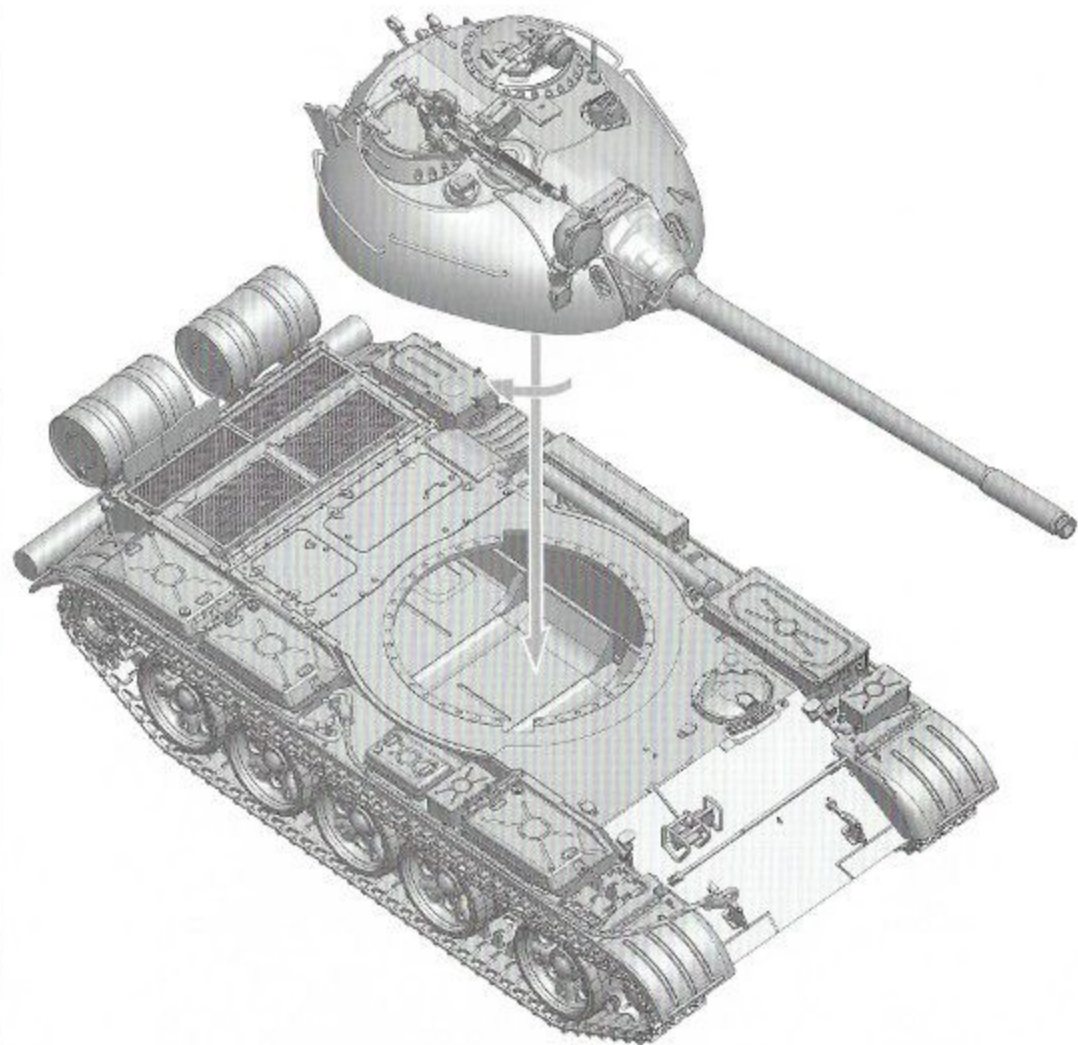
33



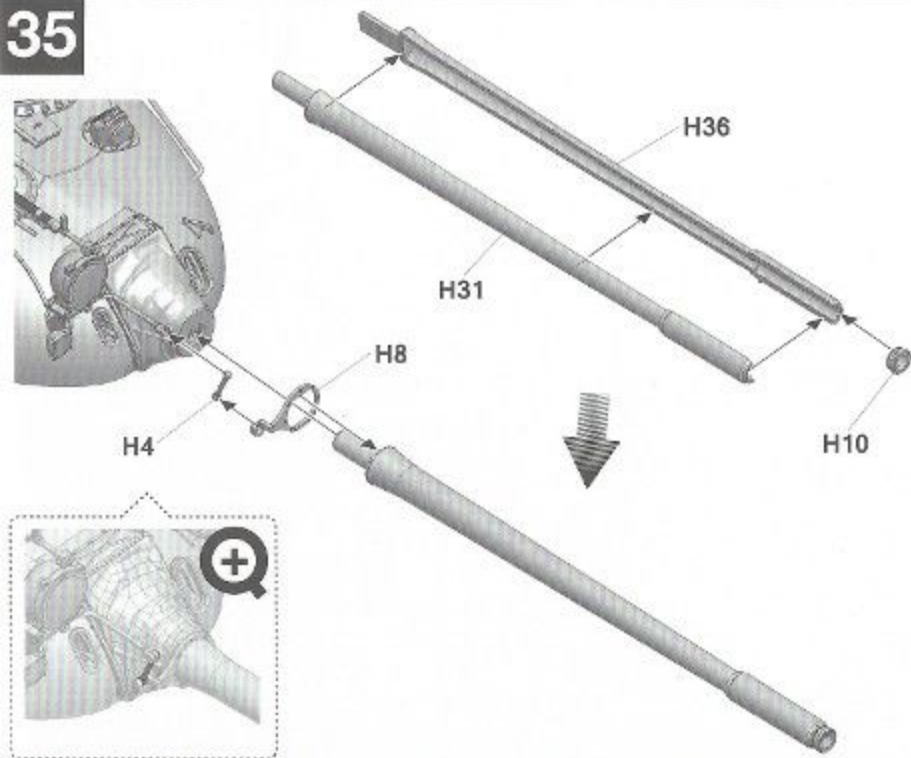
34

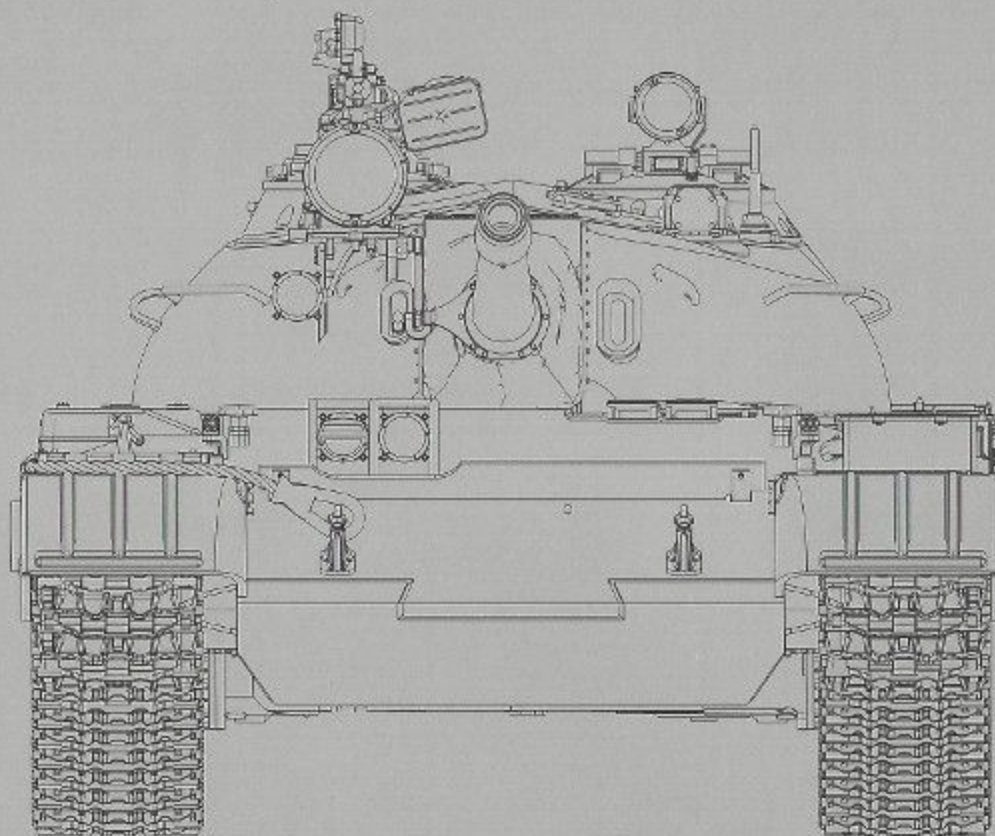


36



35





You can find TAKOM on Facebook.com