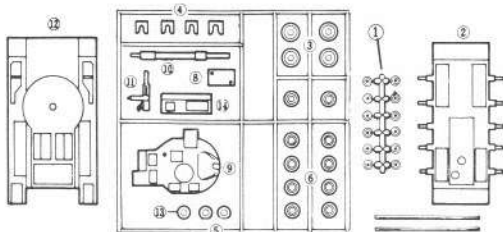


# Winneco

Industries Inc.  
10720 Avenue D Brooklyn, N. Y. 11236

## BRITISH CHIEFTAIN

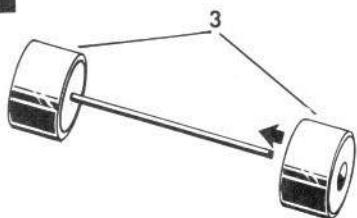
KIT No. 8411



PLEASE NOTE: You will find several extra pieces in this kit. These are either "Extras" on small parts or pieces not needed in the assembly of this particular kit.

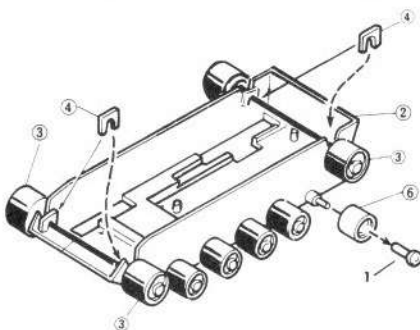
**IMPORTANT:** Always use good grade of plastic model cement. Avoid getting cement on outer surfaces of sections. Use cement sparingly. Avoid getting cement on hands so as not to mar or smear plastic surfaces. In order to obtain maximum strength and neatness, it is suggested that all cemented assemblies be given ample time to dry before further handling. Cut parts from runners with scissors.

1



Firmly press 2 large wheels on ends of each metal axle.

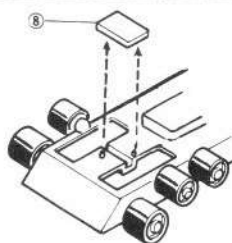
2



Place metal axles in hull bottom. Cement the four (4) axle retainers against the inside of walls of hull.

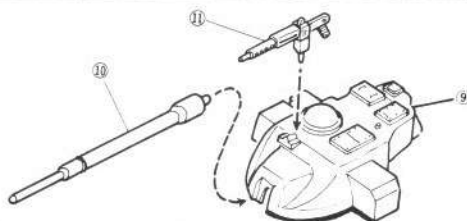
Assemble (DO NOT CEMENT) Part 1 into Part 6, press onto hull.

3



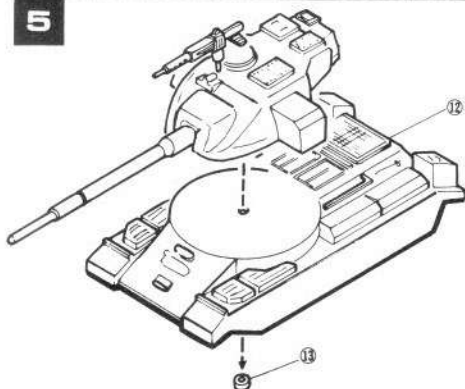
Cement Piece 8 as shown.

4



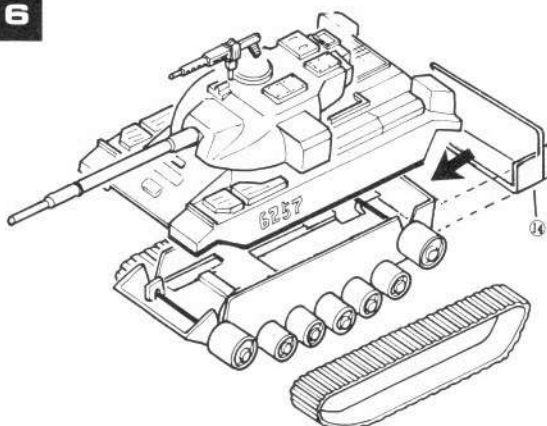
Cement the gun to turret as shown.

5



NOTE: Do not cement turret to hull. Insert turret swivel pin into hole in hull and cement retainer ring to swivel pin only.

6



1. — Wrap treads around bogie wheels.
2. — Cement upper hull to lower hull.
3. — Cement Piece No. 14 as shown.

NOTE: Apply decals as per box illustration.